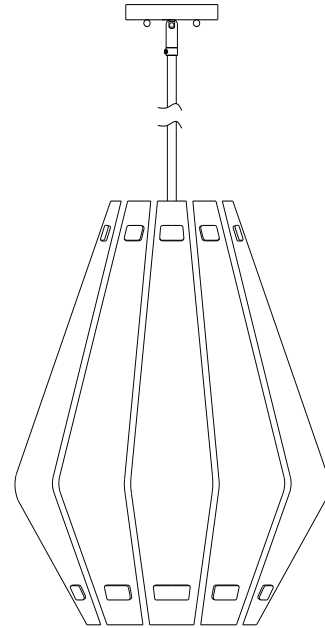


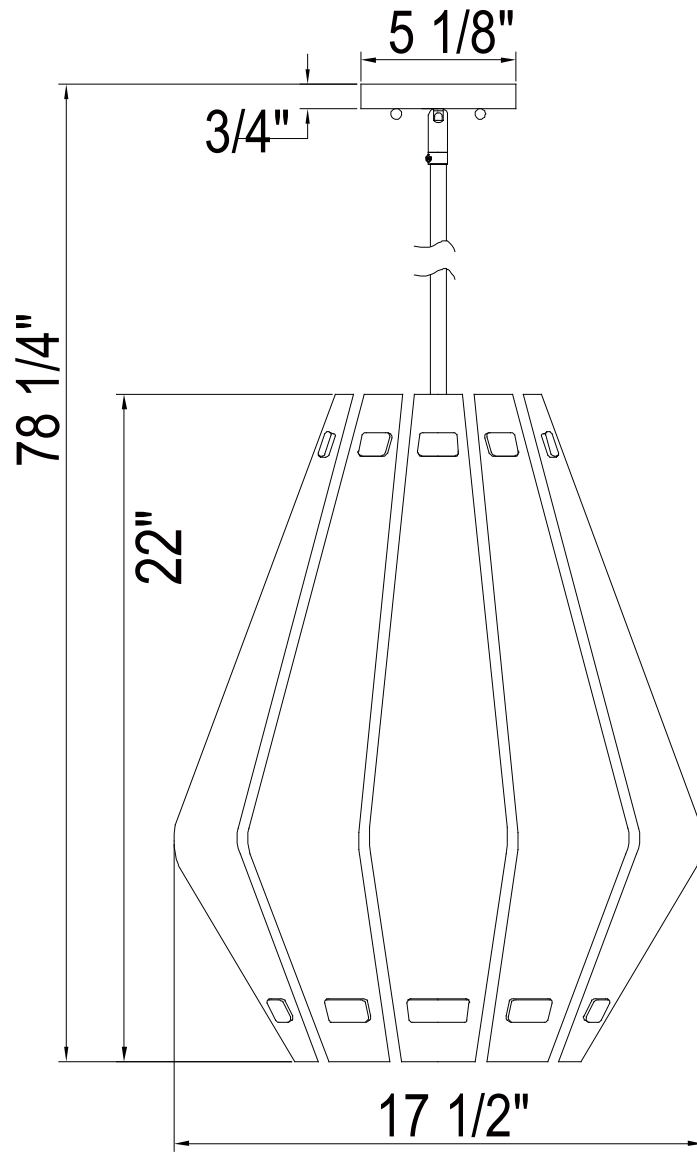
PARK HARBOR™

Pendant

PHPL5394BN



- 4- Light Pendant in Brushed Nickel
- No special tools needed for assembly
- Wattage: Uses four 60W candelabra base lamps max



PHPL5394BN