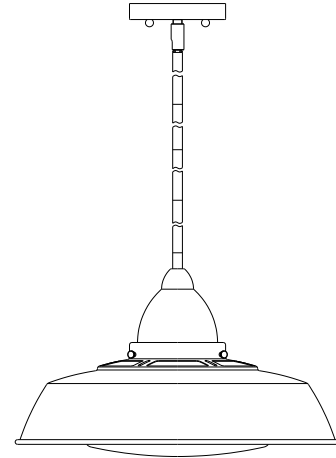


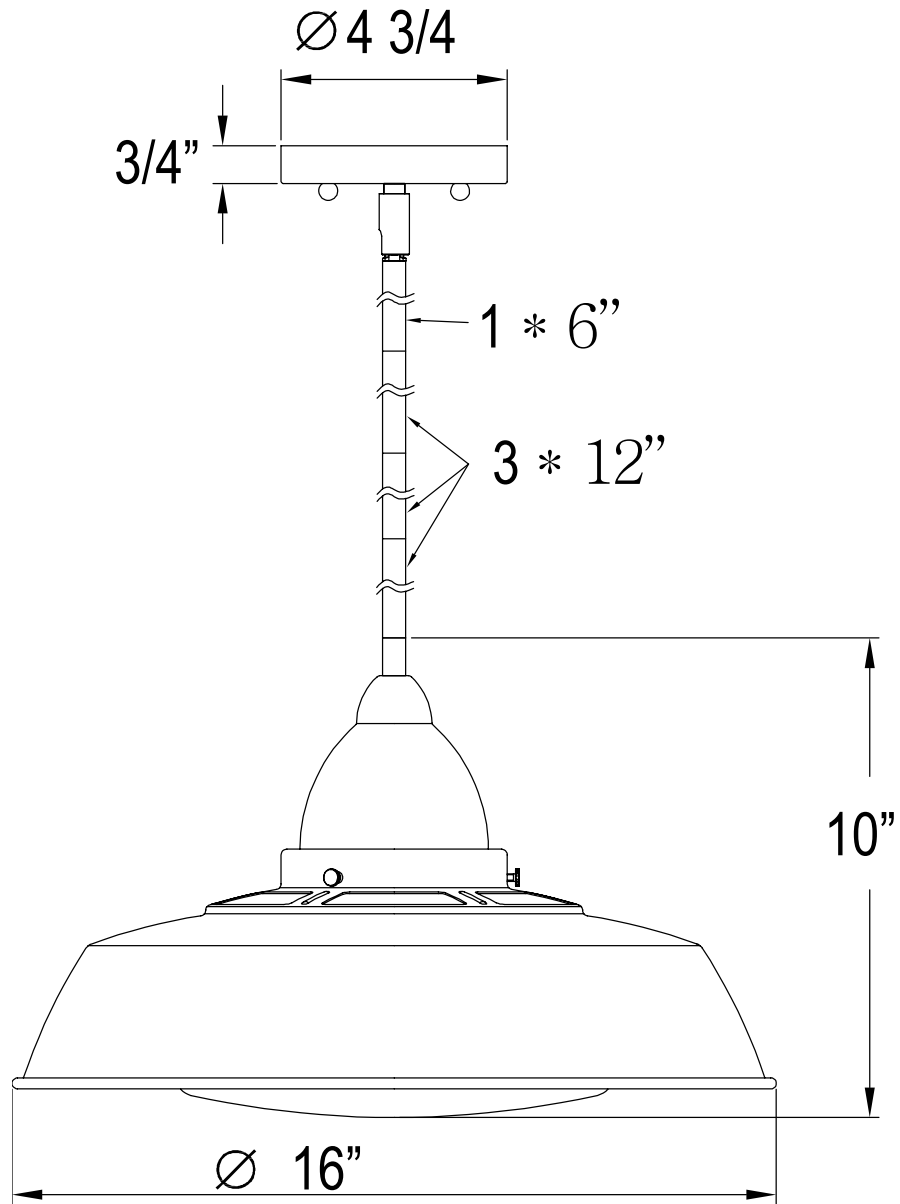
# PARK HARBOR™



## Pendant

PHPL5091BRZ/BN

- 1-Light Pendant in Plated Oxidized Bronze or Brushed Nickel
- No special tools needed for assembly
- Wattage: Uses one 100W medium base lamp max



PHPL5091BRZ/BN