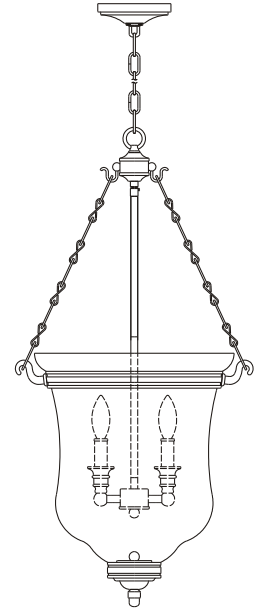


PARK HARBOR™

Pendant

PHPL5033BRZ/PN

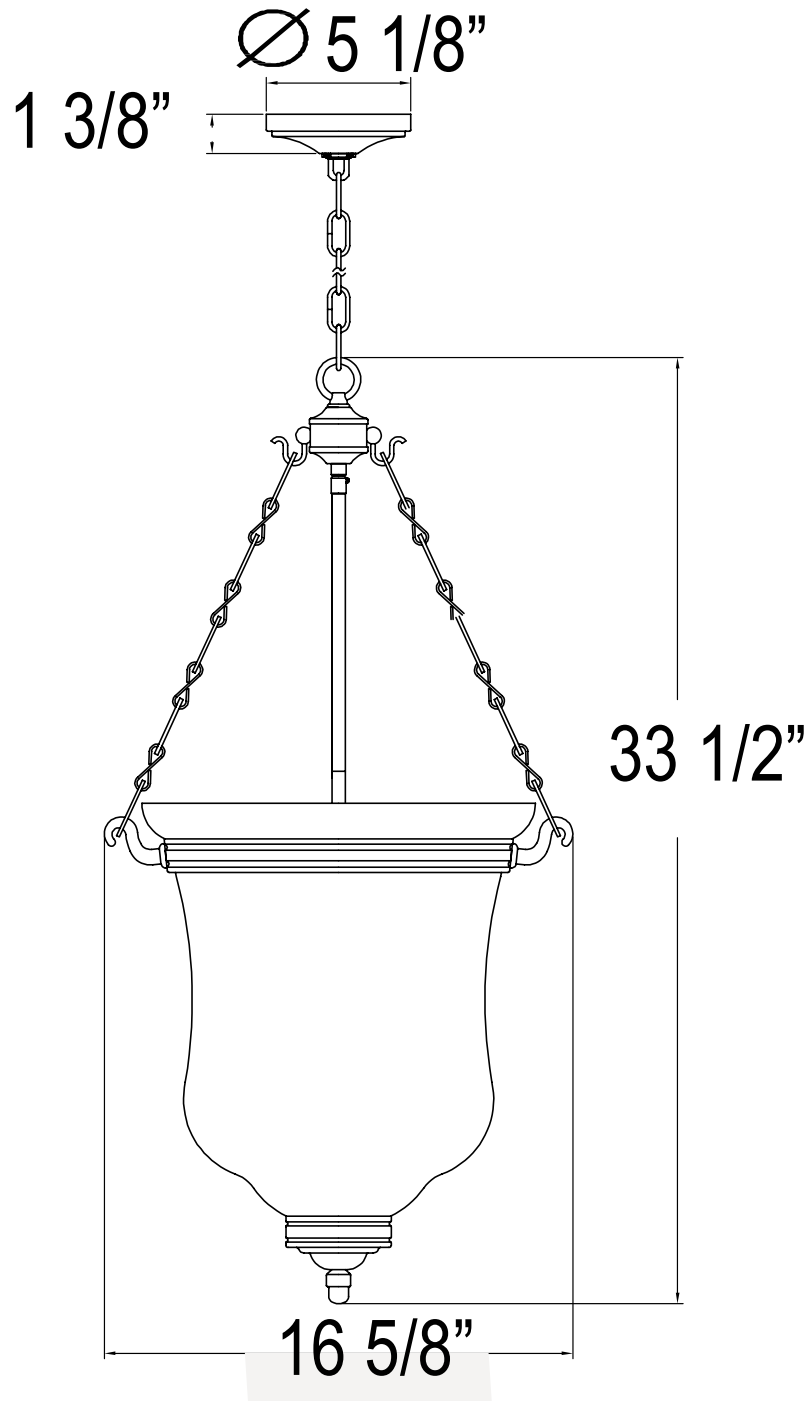


- 3-Light Pendant in Plated Oxidized Bronze or Polished Nickel
- No special tools needed for assembly
- Wattage: Uses three 60W candelabra base lamps max

See dimensional drawing on back.

© 2015 Ferguson Enterprises, Inc. 00000 MO/YR

PARKHARBORLIGHTING.COM



PHPL5033BRZ/PN