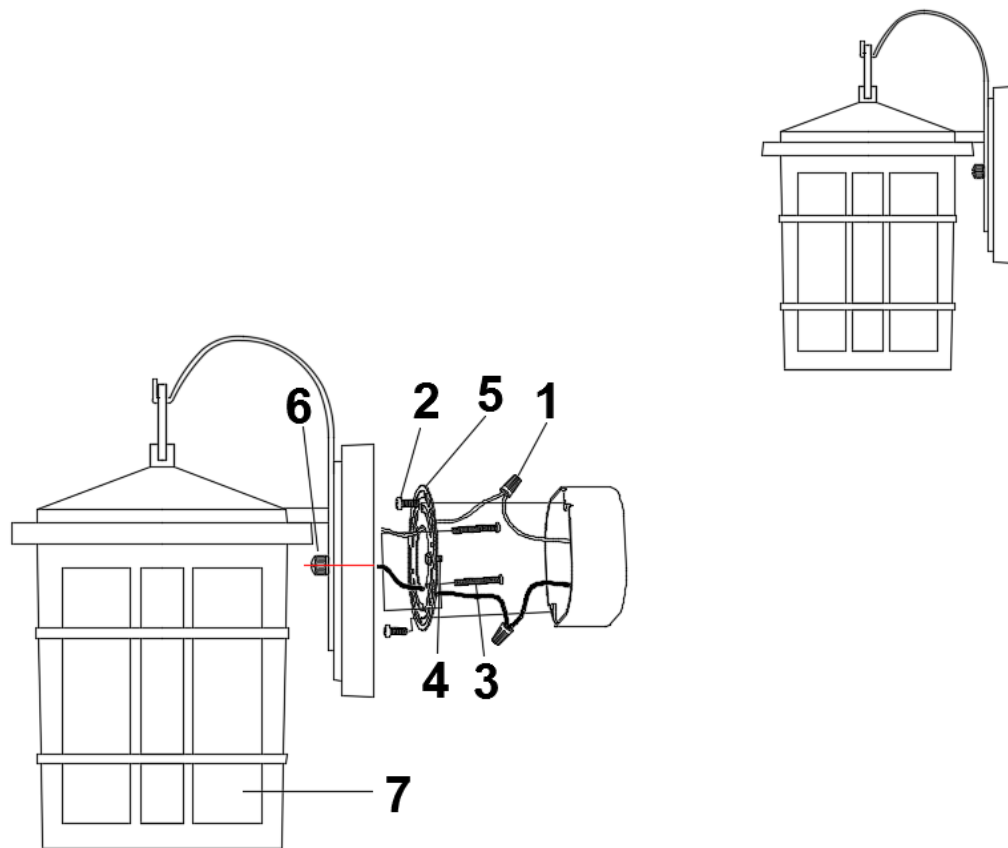


PARK HARBOR™

PHEL1602ORB



| No. | Part Name | Spanish | French | Part No. |
|-----|--------------------------|--------------------------------|--------------------------|---------------------|
| 1 | Wire Connectors (3pcs) | Conectores de cable | Capuchons de connexion | PHSPELORBCWHDWWTY |
| 2 | Outlet Box Screws (2pcs) | Tornillos de la caja eléctrica | Vis de la boîte à prises | |
| 3 | Mounting Screws (2pcs) | Tornillos de montaje | Vis de montage | |
| 4 | Ground Screw (1pc) | Tornillo a tierra | Vis de borne de terre | |
| 5 | Mounting plate (1pc) | Placa de montaje | Plaque de montage | |
| 6 | ORB Cap Nuts (2pcs) | ORB Tuercas ciegas | ORB Écrous borgnes | |
| 7 | Glass panel(4pc) | Panel de vidrio | Panneau en verre | PHSP1602GLSWTY(1pc) |