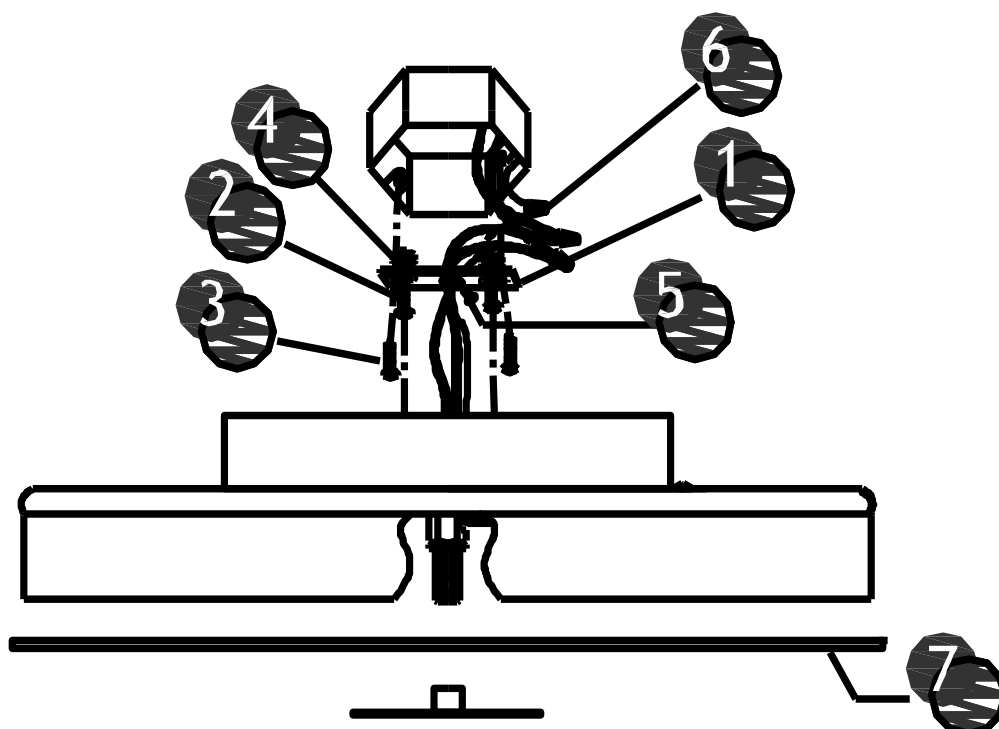
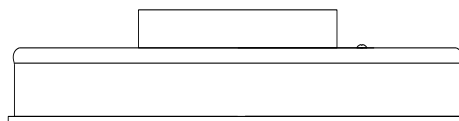


PARK HARBOR™

PHFL4100LEDPC



Parts Breakdown

No.	Part Name	Spanish	French	Part No.
1	Mounting Plate (1pc)	Placa de montaje (1pc)	Plaque de montage (1pc)	PHSP4100HDWRBNWTY
2	Mounting Screw (2pcs)	Tornillos de montaje (2pcs)	Écrou hexagonal (2pcs)	
3	Mounting Screw (2pcs)	Tornillos de montaje (2pcs)	Écrou hexagonal (2pcs)	
4	Hex Nut (2pcs)	Tuerca hexagonal (2pcs)	Écrou hexagonal (2pcs)	
5	Ground Screw (1pc)	Tornillo a tierra (1pc)	Vis de borne de terre(1pc)	
6	Wire Nut (3pcs)	Empalme plástico(3pcs)	Capuchon de connexion (3pcs)	
7	Diffuser (1pc)	Difusor de vidrio (1pc)	Diffuseur en verre (1pc)	PHSPGPLSPNL7WTY