

WhisperGreen® Select Customizable Ventilation Fans

WhisperGreen® Select
VENTILATION FAN

Fan Only Models

FV-0511VK3, FV-1115VK3, FV-0511VKS3

Fan/Light Models

FV-0511VKL3, FV-1115VKL3, FV-0511VKSL3

Architectural Grille Designs

FV-0511VKS3S (Fan Only)

FV-0511VKSL3K (Fan/Light)



Meet the Next Generation WhisperGreen® Select

Based on Panasonic's quality improvement commitment and voice of customer input, the next generation WhisperGreen® Select is now more powerful than ever. Discover robust new features and a designer look that enhance the legendary performance homeowners expect from Panasonic.

NEW! KEY FEATURES

Increased Energy Efficiency

Comply with the more stringent ENERGY STAR® Most Efficient 2024 criteria of 11.4 CFM/watt with the improved DC motor and overall design enhancements.

Designer Grille Options

Sharper, cleaner lines on the traditional grille and two new architectural grille designs for a more elegant appeal.

LED Lighting

A new 5 color changing temperature light module for the architectural model provides the option to match desired lighting levels.

FV-0511VKSL3K (3000K, 3500K, 4000K, 5000K, 6000K)

Expanded True Flow Performance

HVI-certified and the only residential ventfan series with a combination of certified CFM performance at 0.5 w.g. and low sone levels.

WiFi Plug N Play® Module

Respond automatically to poor air conditions. Communicate with other ventilation devices to manage indoor air quality more efficiently.



ONE SUPERIOR FAN WITH ENDLESS POSSIBILITIES

The ideal IAQ solution for virtually any space

For over two decades, Panasonic has developed innovative solutions that promote better indoor air quality and healthy home building. On our mission to help you build healthy homes, WhisperGreen® Select offers a powerful customizable IAQ solution that delivers healthy indoor air quality for healthy living in any space.

Although ASHRAE, ENERGY STAR®, LEED for Homes, and HVI have set the industry standard for performance measurement at 0.1" and 0.25", Panasonic has yet again found a way to stay ahead of the game. WhisperGreen® Select fans provide superior installed performance and powerful CFM output up to 0.5"

WHISPERGREEN® SELECT IS AS EASY AS 1-2-3!

Step 1- Select a Base Fan Model

Select a base model to start building the perfect IAQ solution that satisfies your ventilation design requirements.

Pick-A-Flow® Airflow Technology

Pick-A-Flow® Airflow Selector – one fan, you choose the CFM. Provides the unique ability to select your required airflow (50-80-110 and 110-130-150 CFM models) with the simple flip of a switch.

Fan Only	Fan/Light
FV-0511VK3- 50-80-110 CFM Pick-A-Flow® single speed	FV-0511VKL3- 50-80-110 CFM Pick-A-Flow® single speed + LED Light
FV-0511VKS3- 30 to 110 CFM pre-installed multi-speed	FV-0511VKSL3- 30 to 110 CFM pre-installed multi-speed + LED Light
FV-1115VK3- 110-130-150 CFM Pick-A-Flow® single speed	FV-1115VKL3- 110-130-150 CFM Pick-A-Flow® single speed + LED Light
FV-0511VKS3S- 30 to 110 CFM pre-installed multi-speed	FV-0511VKSL3K- 30 to 110 CFM pre installed multi-speed + LED Light

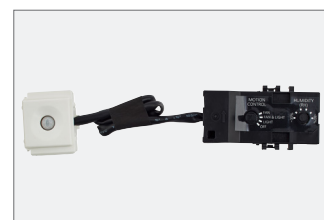
Step 2- Select Value Added Features

WhisperGreen® Select offers a unique set of five patented modules that allow you to further customize your fan.



Wi-Fi Module (WP100PBA)

Enables two-way wireless communication between ventilation products. Easily connect, monitor and control the fan's features (ie. motion sensor, light, etc.) with the Swidget™ app. The Wi-Fi module can operate with a standalone fan, or can be used as part of an Indoor Air Quality healthy home system.



Smart Action® Motion Sensor + Condensation Sensor (FV-CMVK3)

Automatically activates the fan when someone enters the room, or when relative humidity and temperature are about to reach dew point, automatically turning on the fan to control humidity.



Multi-Speed with Time Delay (FV-VS15VK1)

Allows you to select the proper CFM settings to satisfy ASHRAE 62.2 continuous ventilation requirements. The fan runs continuously at a pre-set lower level, then elevates to a maximum level of operation when the wall switch is turned on, or when the SmartAction® motion sensor or condensation sensor module is activated. A high/low delay timer returns the fan to the pre-set CFM level after a period of time set by the user.



SmartAction® Motion Sensor (FV-MSVK1)

Automatically activates when someone enters the room. Once the settings have been applied, the fan becomes truly automatic, making it ideal for people with disabilities and assisted living environments such as nursing homes and retirement communities. This module also activates an automatic 20-minute delay off timer for the fan.

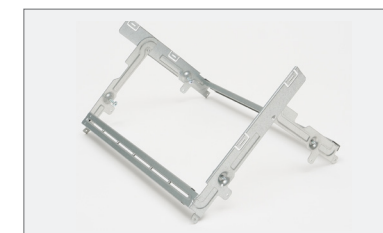


Condensation Sensor (FV-CSVK1)

Helps control bathroom condensation to prevent mold and mildew. Advanced sensor technology detects relative humidity and temperature to anticipate dew point, automatically turning the fan on to extract humidity. Built-in Relative Humidity (RH) sensitivity adjustment enables fine tuning for moist conditions (30% to 80%, in 10% increments) and for satisfying CALGreen requirements. When the condensation sensor is used in conjunction with multi-speed functionality, the fan will kick up to high speed when the condensation sensor detects moisture in the room. This module also activates an automatic 20-minute delay off timer for the fan.

Step 3- Install Your Ideal Fan with the Flex-Z Fast® Installation System

Ingeniously designed installation bracket provides flexible, fast and easy installation for all your new construction or renovation projects.



Single-hinged articulating joints to easily position bracket in between the joist and/or through ceiling hole.



Easily position bracket in between the joist or ceiling hole.



Extend bracket to desired length.

LED Lighting

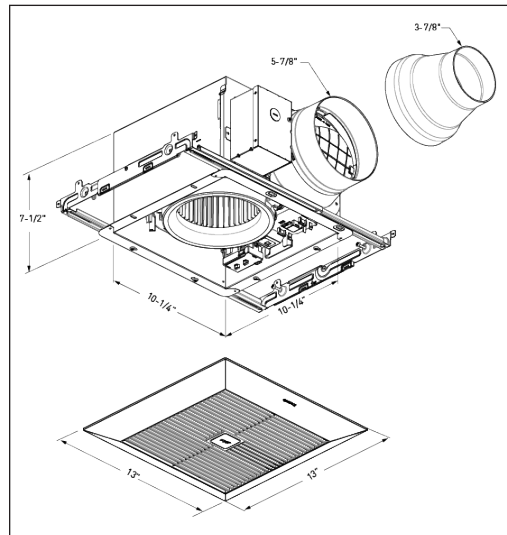
JA-8 compliant for CA Title 24/50,000 hours rated average life. Standard fan/light models feature a warm white LED light. All Architectural models feature a five Color Changing Temperature LED light.



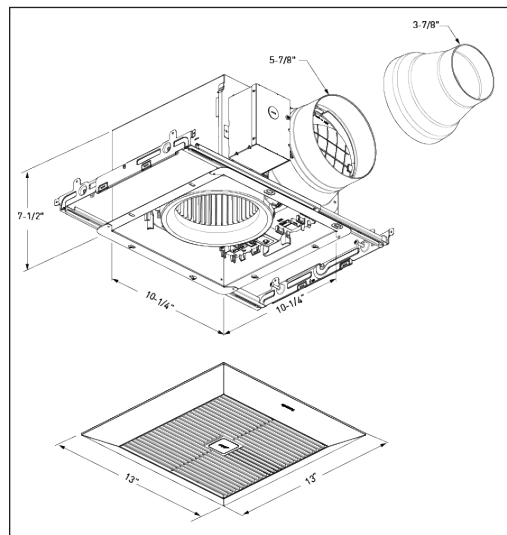
HEALTHY AIR, HEALTHY HOME

True Flow ratings at **0.375" and 0.5"** static pressure provide powerful airflow to assure code compliant, healthy homes.

FV-0511VKS3



FV-0511VK3



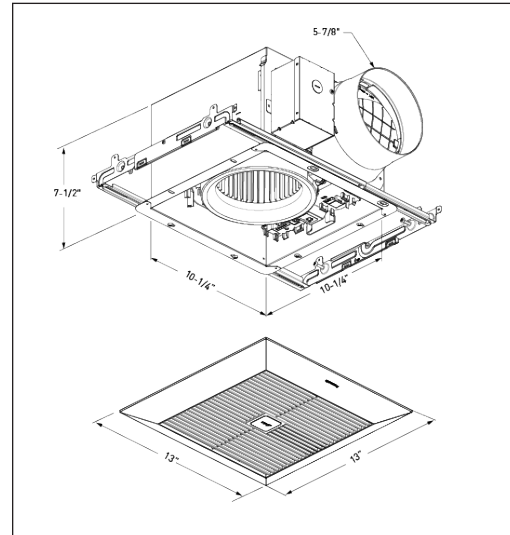
Specifications											
Duct Diameter (inches)											
Characteristics (HVI tested data for 0.1" S.P.)	Static Pressure in inches w.g.	0.1	0.25	0.375	0.5	0.1	0.25	0.375	0.5	0.1	0.25
	Air Volume (CFM)	110	110	110	109	100	100	100	100	90	90
	Noise (sones)	<0.3	0.3	---	---	<0.3	0.3	---	---	<0.3	0.3
	Power Consumption (watts)	6.7	12.1	17.0	23.0	5.5	10.5	15.4	20.5	4.9	9.7
	Energy Efficiency (CFM/Watt)	16.7	9.3	6.6	4.8	18.5	9.8	6.6	5.0	18.4	9.5
	Speed (RPM)	595	887	1089	1261	580	892	1097	1260	572	898
	Amps (Current)	0.11	0.20	0.27	0.36	0.10	0.18	0.25	0.32	0.09	0.17
	MAX. Amps (Current)										
Duct Diameter (inches)											
Characteristics (HVI tested data for 0.1" S.P.)	Static Pressure in inches w.g.	0.1	0.25	0.375	0.5	0.1	0.25	0.375	0.5	0.1	0.25
	Air Volume (CFM)	110	110	110	104	100	100	100	100	90	90
	Noise (sones)	<0.3	0.8	---	---	<0.3	0.7	---	---	<0.3	0.7
	Power Consumption (watts)	9.7	15.2	21.0	24.7	7.8	13.0	18.0	23.5	6.6	11.6
	Energy Efficiency (CFM/Watt)	11.5	7.3	5.3	4.2	12.9	7.8	5.6	4.3	13.6	7.7
	Speed (RPM)	782	1031	1214	1349	747	1007	1189	1349	714	993
	Amps (Current)	0.16	0.24	0.33	0.38	0.14	0.22	0.29	0.37	0.12	0.20
	MAX. Amps (Current)										
Specifications	Motor Type										
	Type of Motor Bearing										
	Thermal Fuse Protection										
	Blower Wheel Type										
	ENERGY STAR Qualified										
Installation	Duct Diameter (Inches)										
	Mounting Opening (Inches sq.)										
	Grille Size (Inches sq.)										
Additional Features	SmartAction Motion Sensor										
	On / Off Delay Timer										
	CustomVent Variable Speed Control										
Light Specifications	SmartFlow Optimum CFM Technology										
	Lamp Watts										
	Lumens (lm)										
	Lumens Per Watt (LPW)										
	Color Rendering Index										
	Color Temperature (Kelvin)										
	Rated Life (hours)										
	Lamp Model #										
Type of Lamp Socket											
Night Light Specs	Night Light Watts										
Shipping	Gross Weight (lbs)										
Approved Code/Standard/Regulation	UL tub/Shower Enclosure										
	Washington VIAQ Code										
	Wall installation										
	California Title 24 Compliant										
	Mfg in ISO 9001 Certified Facility										

WhisperGreen [®] Select (Fan Only)																									
Base Fan (50-80-110) / Fan with built-in multi-speed (30-110)																									
FV-0511VK3 / FV-0511VKS3																									
6"																									
0.375	0.5	0.1	0.25	0.375	0.5	0.1	0.25	0.375	0.5	0.1	0.25	0.375	0.5	0.1	0.25	0.375	0.5	0.1	0.25	0.375	0.5	0.1	0.25	0.375	0.5
90	90	80	80	80	80	70	70	70	70	60	60	60	60	50	50	50	50	40	40	40	40	30	30	30	30
---	---	<0.3	0.3	---	---	<0.3	0.3	---	---	<0.3	0.3	---	---	<0.3	0.4	---	---	<0.3	<0.3	---	---	<0.3	<0.3	---	---
14.3	19.3	4.4	9.2	13.2	17.6	4.0	8.2	12.2	16.3	3.6	7.4	11.1	15.0	3.4	7.0	9.9	13.3	3.0	6.2	8.7	12.0	2.8	5.5	7.9	11.4
6.5	4.7	18.4	8.8	6.1	4.6	17.7	8.7	5.9	4.4	16.8	8.2	5.5	4.2	14.9	7.2	5.3	4.0	13.6	6.6	4.7	3.6	10.8	5.7	4.0	3.2
1102	1283	569	908	1109	1281	565	902	1121	1283	570	906	1120	1293	575	933	1127	1296	563	921	1126	1294	587	930	1123	1300
0.24	0.31	0.08	0.16	0.22	0.28	0.08	0.14	0.20	0.27	0.07	0.13	0.19	0.24	0.07	0.12	0.17	0.22	0.06	0.11	0.15	0.20	0.06	0.10	0.14	0.19
0.36																									
4"																									
0.375	0.5	0.1	0.25	0.375	0.5	0.1	0.25	0.375	0.5	0.1	0.25	0.375	0.5	0.1	0.25	0.375	0.5	0.1	0.25	0.375	0.5	0.1	0.25	0.375	0.5
90	89	80	80	80	80	70	70	70	70	60	60	60	60	50	50	50	50	40	40	40	40	30	30	30	30
---	---	<0.3	0.7	---	---	<0.3	0.7	---	---	<0.3	0.7	---	---	<0.3	0.6	---	---	<0.3	0.6	---	---	<0.3	0.6	---	---
16.2	21.0	5.6	10.6	14.7	19.4	5.1	9.3	13.4	17.0	4.4	8.1	11.7	15.5	3.8	7.3	10.4	13.6	3.4	6.3	9.3	12.0	2.9	5.6	8.4	11.5
5.6	4.2	14.2	7.7	5.4	4.1	14.0	7.6	5.3	4.2	13.8	7.6	5.2	3.9	13.5	7.0	5.0	3.8	12.9	6.9	4.6	3.6	10.5	5.7	3.8	3.0
1170	1333	684	985	1166	1340	672	964	1164	1317	654	956	1148	1324	630	946	1145	1313	619	938	1142	1299	606	939	1141	1304
0.26	0.33	0.10	0.18	0.24	0.31	0.09	0.16	0.22	0.27	0.08	0.14	0.19	0.25	0.07	0.13	0.17	0.22	0.66	0.11	0.16	0.20	0.58	0.10	0.14	0.19
0.66																									
DC																									
Ball																									
Yes																									
Sirocco																									
Yes																									
6" / 6" to 4" reducer																									
10-1/2"																									
13"																									
Add module FV-MSVK1 or FV-CMVK3																									
Standard in FV-0511VKS3 Model																									
FV-0511VK3: 50-80-110 CFM FV-0511VKS3: 30-40-50-60-70-80-90-100-110 CFM																									
Yes																									
N/A																									
N/A																									
N/A																									
N/A																									
N/A																									
N/A																									
N/A																									
N/A																									
N/A																									
N/A																									
9.5																									
Yes																									
Yes																									
Yes																									
Yes																									



HEALTHY AIR, HEALTHY HOME
True Flow ratings at **0.375" and 0.5"** static pressure provide powerful airflow to assure code compliant, healthy homes.

FV-1115VK3



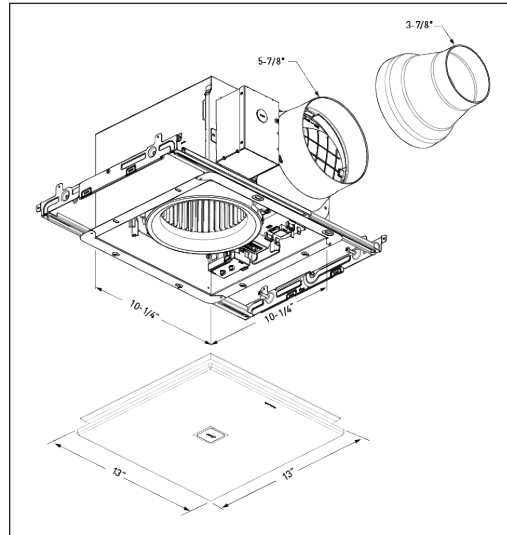
Specifications													
Duct Diameter (inches)													
Characteristics (HVI tested data for 0.1" S.P.)	Static Pressure in inches w.g.	0.1	0.25	0.375	0.5	0.1	0.25	0.375	0.5	0.1	0.25	0.375	0.5
	Air Volume (CFM)	150	150	147	123	130	130	129	121	120	120		
	Noise (sones)	0.3	0.7	---	---	<0.3	0.4	---	---	<0.3	0.3		
	Power Consumption (watts)	11.5	18.0	23.6	24.7	8.7	14.7	19.7	24.6	7.3	12.7		
	Energy Efficiency (CFM/Watt)	13.6	8.8	6.5	5.2	15.5	9.4	6.8	5.1	17.3	10.0		
	Speed (RPM)	682	915	1089	1256	633	905	1090	1259	622	891		
	Amps (Current)	0.19	0.29	0.37	0.38	0.15	0.24	0.31	0.39	0.13	0.21		
	MAX. Amps (Current)												
Specifications	Motor Type												
	Type of Motor Bearing												
	Thermal Fuse Protection												
	Blower Wheel Type												
	ENERGY STAR Qualified												
Installation	Duct Diameter (Inches)												
	Mounting Opening (Inches sq.)												
	Grille Size (Inches sq.)												
Additional Features	SmartAction Motion Sensor												
	On / Off Delay Timer												
	CustomVent Variable Speed Control												
	SmartFlow Optimum CFM Technology												
Light Specifications	Lamp Watts												
	Lumens (lm)												
	Lumens Per Watt (LPW)												
	Color Rendering Index												
	Color Temperature (Kelvin)												
	Rated Life (hours)												
	Lamp Model #												
	Type of Lamp Socket												
Night Light Specs	Night Light Watts												
Shipping	Gross Weight (lbs)												
Approved Code/Standard/Regulation	UL tub/Shower Enclosure												
	Washington VIAQ Code												
	Wall installation												
	California Title 24 Compliant												
	Mfg in ISO 9001 Certified Facility												

WhisperGreen [®] Select (Fan Only)																													
Base Fan + Multi-speed module																													
FV-1115VK3 + FV-VS15VK1																													
6"																													
0.375	0.5	0.1	0.25	0.375	0.5	0.1	0.25	0.375	0.5	0.1	0.25	0.375	0.5	0.1	0.25	0.375	0.5	0.1	0.25	0.375	0.5	0.1	0.25	0.375	0.5	0.1	0.25	0.375	0.5
117	118	110	110	110	110	100	100	100	100	90	90	90	89	80	80	80	80	70	70	70	70	60	60	60	60	50	50	50	50
---	---	<0.3	<0.3	---	---	<0.3	<0.3	---	---	<0.3	<0.3	---	---	<0.3	0.3	---	---	<0.3	0.3	---	---	<0.3	0.3	---	---	<0.3	0.4	---	---
17.7	24.0	6.8	12.1	17.5	22.7	5.5	10.6	15.9	20.3	4.8	9.8	14.5	18.8	4.3	9.1	13.3	17.8	3.9	8.3	12.5	16.8	3.6	7.4	11.2	14.8	3.4	7.0	10.4	13.3
6.9	5.2	17.0	9.6	6.6	5.1	18.9	9.9	6.8	5.1	19.6	9.6	6.7	4.9	19.1	9.3	6.2	4.6	18.6	8.9	5.9	4.4	17.3	8.5	5.6	4.2	15.8	7.7	5.1	4.2
1095	1261	602	894	1103	1264	583	895	1098	1258	567	900	1098	1270	556	900	1110	1280	553	900	1111	1292	561	902	1116	1284	583	918	1131	1290
0.29	0.38	0.12	0.2	0.28	0.36	0.1	0.18	0.26	0.33	0.09	0.17	0.24	0.31	0.08	0.16	0.22	0.29	0.07	0.14	0.21	0.27	0.07	0.13	0.19	0.25	0.07	0.12	0.18	0.22
0.39																													
DC																													
Ball																													
Yes																													
Sirocco																													
Yes																													
6" Duct																													
10-1/2"																													
13"																													
Add module FV-MSVK1 or FV-CMVK3																													
Add module FV-VS15VK1																													
FV-1115VK3: 150/130/110 CFM																													
FV-1115VK3 + FV-VS15VK1: 150/130/120/110/100/90/80/70/60/50 CFM																													
Yes																													
N/A																													
N/A																													
N/A																													
N/A																													
N/A																													
N/A																													
N/A																													
N/A																													
N/A																													
9.5																													
Yes																													
Yes																													
Yes																													
Yes																													
Yes																													



HEALTHY AIR, HEALTHY HOME
True Flow ratings at **0.375" and 0.5"** static pressure provide powerful airflow to assure code compliant, healthy homes.

FV-0511VKS3S



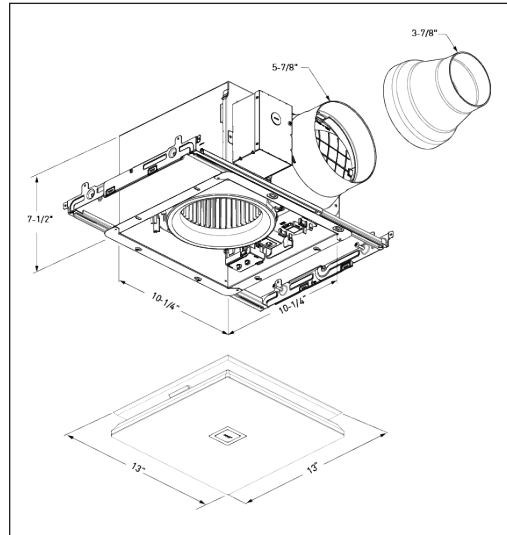
Specifications											
Duct Diameter (inches)											
Characteristics (HVI tested data for 0.1" S.P.)	Static Pressure in inches w.g.	0.1	0.25	0.375	0.5	0.1	0.25	0.375	0.5	0.1	0.25
	Air Volume (CFM)	110	110	110	109	100	100	100	100	90	90
	Noise (sones)	<0.3	<0.3	---	---	<0.3	<0.3	---	---	<0.3	<0.3
	Power Consumption (watts)	7.4	12.9	18.1	23.8	6.2	11.2	16.6	21.7	5.4	10.6
	Energy Efficiency (CFM/Watt)	15.2	8.6	6.2	4.6	16.4	9.1	6.3	4.7	17.3	8.8
	Speed (RPM)	641	932	1120	1282	629	930	1129	1299	620	936
	Amps (Current)	0.12	0.21	0.28	0.37	0.11	0.19	0.27	0.34	0.10	0.18
MAX. Amps (Current)											
Duct Diameter (inches)											
Characteristics (HVI tested data for 0.1" S.P.)	Static Pressure in inches w.g.	0.1	0.25	0.375	0.5	0.1	0.25	0.375	0.5	0.1	0.25
	Air Volume (CFM)	110	110	110	100	100	100	100	100	90	90
	Noise (sones)	<0.3	0.6	---	---	<0.3	0.6	---	---	<0.3	0.5
	Power Consumption (watts)	10.7	16.5	22.1	24.8	8.3	14.2	18.8	23.9	7.1	12.4
	Energy Efficiency (CFM/Watt)	10.5	6.8	5.1	4.1	12.2	7.2	5.4	4.2	12.8	7.5
	Speed (RPM)	829	1077	1241	1365	783	1047	1212	1367	751	1022
	Amps (Current)	0.18	0.26	0.34	0.38	0.15	0.23	0.30	0.37	0.12	0.21
MAX. Amps (Current)											
Specifications	Motor Type										
	Type of Motor Bearing										
	Thermal Fuse Protection										
	Blower Wheel Type										
	ENERGY STAR Qualified										
Installation	Duct Diameter (Inches)										
	Mounting Opening (Inches sq.)										
	Grille Size (Inches sq.)										
Additional Features	SmartAction Motion Sensor										
	On / Off Delay Timer										
	CustomVent Variable Speed Control										
	SmartFlow Optimum CFM Technology										
Light Specifications	Lamp Watts										
	Lumens (lm)										
	Lumens Per Watt (LPW)										
	Color Rendering Index										
	Color Temperature (Kelvin)										
	Rated Life (hours)										
	Lamp Model #										
Type of Lamp Socket											
Night Light Specs	Night Light Watts										
Shipping	Gross Weight (lbs)										
Approved Code/Standard/Regulation	UL tub/Shower Enclosure										
	Washington VIAQ Code										
	Wall installation										
	California Title 24 Compliant										
Mfg in ISO 9001 Certified Facility											

WhisperGreen [®] Select																									
Base Fan with multi-speed module																									
FV-0511VKS3S																									
6"																									
0.375	0.5	0.1	0.25	0.375	0.5	0.1	0.25	0.375	0.5	0.1	0.25	0.375	0.5	0.1	0.25	0.375	0.5	0.1	0.25	0.375	0.5	0.1	0.25	0.375	0.5
90	90	80	80	80	80	70	70	70	70	60	60	60	60	50	50	50	50	40	40	40	40	30	30	30	30
---	---	<0.3	<0.3	---	---	<0.3	<0.3	---	---	<0.3	<0.3	---	---	<0.3	<0.3	---	---	<0.3	<0.3	---	---	<0.3	<0.3	---	---
15.0	19.8	4.7	9.5	13.2	18.1	4.3	8.6	12.4	16.7	3.9	7.7	11.0	15.0	3.4	7.2	10.3	13.4	3.1	6.2	9.1	12.4	2.9	5.6	8.2	11.6
6.2	4.7	17.3	8.6	6.1	4.5	16.8	8.4	5.8	4.3	16.1	8.1	5.7	4.2	15.2	7.2	5.0	3.9	13.5	6.8	4.7	3.5	11.2	5.9	4.1	3.3
1127	1294	601	928	1111	1294	592	920	1122	1298	590	917	1118	1304	577	930	1130	1303	577	926	1147	1317	585	934	1130	1300
0.25	0.32	0.09	0.16	0.22	0.29	0.08	0.15	0.21	0.27	0.07	0.13	0.19	0.24	0.07	0.12	0.17	0.22	0.06	0.11	0.15	0.20	0.06	0.10	0.14	0.19
0.37																									
4"																									
0.375	0.5	0.1	0.25	0.375	0.5	0.1	0.25	0.375	0.5	0.1	0.25	0.375	0.5	0.1	0.25	0.375	0.5	0.1	0.25	0.375	0.5	0.1	0.25	0.375	0.5
90	90	80	80	80	80	70	70	70	70	60	60	60	60	50	50	50	50	40	40	40	40	30	30	30	30
---	---	<0.3	0.5	---	---	<0.3	0.5	---	---	<0.3	0.4	---	---	<0.3	0.4	---	---	<0.3	0.3	---	---	<0.3	0.3	---	---
17.1	21.7	6.2	11.1	15.1	19.6	5.4	9.8	13.8	17.5	4.7	8.5	11.5	15.8	4.0	7.8	10.9	13.9	3.3	6.3	9.1	12.4	3.0	5.8	8.5	11.6
5.4	4.2	13.0	7.4	5.3	4.1	13.1	7.5	5.4	4.1	13.4	7.4	5.5	4.1	13.6	7.0	5.0	4.1	12.4	6.7	4.7	3.5	10.6	5.9	4.2	3.4
1203	1352	726	1005	1192	1350	708	996	1184	1344	677	970	1155	1329	645	974	1172	1322	617	942	1149	1322	612	949	1147	1307
0.28	0.34	0.11	0.19	0.25	0.31	0.10	0.17	0.23	0.29	0.09	0.15	0.20	0.26	0.08	0.14	0.19	0.24	0.07	0.11	0.16	0.21	0.06	0.11	0.15	0.20
0.38																									
DC																									
Ball																									
Yes																									
Sirocco																									
Yes																									
6" / 6" to 4" reducer																									
10-1/2"																									
13"																									
Add module FV-MSVK1 or FV-CMVK3																									
Yes																									
110/100/90/80/70/60/50/40/30 CFM																									
Yes																									
N/A																									
N/A																									
N/A																									
N/A																									
N/A																									
N/A																									
N/A																									
N/A																									
N/A																									
9.9																									
Yes																									
Yes																									
Yes																									
Yes																									



HEALTHY AIR, HEALTHY HOME
True Flow ratings at **0.375" and 0.5"** static pressure provide powerful airflow to assure code compliant, healthy homes.

FV-0511VKSL3K



Specifications											
Duct Diameter (inches)											
Characteristics (HVI tested data for 0.1" S.P.)	Static Pressure in inches w.g.	0.1	0.25	0.375	0.5	0.1	0.25	0.375	0.5	0.1	0.25
	Air Volume (CFM)	110	110	110	106	100	100	100	100	90	90
	Noise (sones)	<0.3	<0.3	---	---	<0.3	0.3	---	---	<0.3	<0.3
	Power Consumption (watts)	7.1	12.4	18.1	22.7	6.1	11.7	16.5	21.9	5.5	10.6
	Energy Efficiency (CFM/Watt)	15.6	8.9	6.2	4.7	16.5	8.6	6.1	4.6	16.4	8.5
	Speed (RPM)	644	945	1138	1304	621	948	1132	1297	614	943
	Amps (Current)	0.12	0.21	0.30	0.36	0.11	0.19	0.26	0.34	0.10	0.18
	MAX. Amps (Current)										
Duct Diameter (inches)											
Characteristics (HVI tested data for 0.1" S.P.)	Static Pressure in inches w.g.	0.1	0.25	0.375	0.5	0.1	0.25	0.375	0.5	0.1	0.25
	Air Volume (CFM)	110	110	110	100	100	100	100	100	90	90
	Noise (sones)	<0.3	0.6	---	---	<0.3	0.6	---	---	<0.3	0.5
	Power Consumption (watts)	10.7	16.5	22.1	24.8	8.7	14.6	19.1	24.3	7.2	12.6
	Energy Efficiency (CFM/Watt)	10.3	6.7	5.1	4.0	11.7	7.0	5.3	4.2	12.7	7.4
	Speed (RPM)	834	1079	1240	1373	801	1060	1223	1372	759	1031
	Amps (Current)	0.17	0.26	0.34	0.38	0.15	0.24	0.31	0.38	0.13	0.21
	MAX. Amps (Current)										
Specifications	Motor Type										
	Type of Motor Bearing										
	Thermal Fuse Protection										
	Blower Wheel Type										
	ENERGY STAR Qualified										
Installation	Duct Diameter (Inches)										
	Mounting Opening (Inches sq.)										
	Grille Size (Inches sq.)										
Additional Features	SmartAction Motion Sensor										
	On / Off Delay Timer										
	CustomVent Variable Speed Control										
	SmartFlow Optimum CFM Technology										
Light Specifications	Lamp Watts										
	Lumens (lm)										
	Lumens Per Watt (LPW)										
	Color Rendering Index										
	Color Temperature (Kelvin)										
	Rated Life (hours)										
	Lamp Model #										
	Type of Lamp Socket										
Night Light Specs	Night Light Watts										
Shipping	Gross Weight (lbs)										
Approved Code/Standard/Regulation	UL tub/Shower Enclosure										
	Washington VIAQ Code										
	Wall installation										
	California Title 24 Compliant										
	Mfg in ISO 9001 Certified Facility										

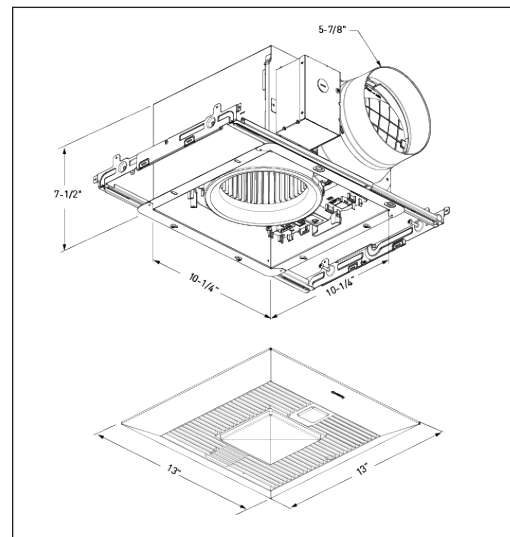
WhisperGreen® Select (Fan + Light)																													
Base fan with multi-speed + 5 CCT LED Light + Night Light																													
FV-0511VKSL3K																													
6"																													
0.375	0.5	0.1	0.25	0.375	0.5	0.1	0.25	0.375	0.5	0.1	0.25	0.375	0.5	0.1	0.25	0.375	0.5	0.1	0.25	0.375	0.5	0.1	0.25	0.375	0.5	0.1	0.25	0.375	0.5
90	90	80	80	80	80	70	70	70	70	60	60	60	60	50	50	50	50	40	40	40	40	30	30	30	30				
---	---	<0.3	<0.3	---	---	<0.3	<0.3	---	---	<0.3	<0.3	---	---	<0.3	<0.3	---	---	<0.3	<0.3	---	---	<0.3	<0.3	---	---				
15.2	19.4	4.8	9.5	13.7	17.9	4.5	8.7	12.7	16.5	4.0	8.0	11.4	14.7	3.7	7.2	10.1	13.5	3.2	6.2	9.2	12.6	3.0	5.8	8.5	11.6				
6.0	4.7	16.9	8.5	5.9	4.5	15.8	8.2	5.6	4.3	15.3	7.7	5.3	4.2	13.7	7.2	5.3	4.1	13.2	7.0	4.8	3.6	10.7	5.7	4.2	3.2				
1131	1296	608	933	1126	1298	610	928	1139	1300	611	946	1143	1292	610	937	1132	1301	589	929	1139	1322	599	950	1148	1309				
0.24	0.31	0.09	0.16	0.22	0.28	0.08	0.15	0.21	0.27	0.08	0.14	0.19	0.24	0.07	0.13	0.17	0.23	0.06	0.11	0.16	0.21	0.06	0.10	0.15	0.20				
0.36																													
4"																													
0.375	0.5	0.1	0.25	0.375	0.5	0.1	0.25	0.375	0.5	0.1	0.25	0.375	0.5	0.1	0.25	0.375	0.5	0.1	0.25	0.375	0.5	0.1	0.25	0.375	0.5	0.1	0.25	0.375	0.5
90	90	80	80	80	80	70	70	70	70	60	60	60	60	50	50	50	50	40	40	40	40	30	30	30	30				
---	---	<0.3	0.5	---	---	<0.3	0.4	---	---	<0.3	0.4	---	---	<0.3	0.4	---	---	<0.3	0.3	---	---	<0.3	0.3	---	---				
17.2	21.9	6.4	11.2	15.1	19.7	5.6	9.6	14.0	17.8	4.6	8.5	11.7	15.7	3.9	7.5	10.4	13.7	3.4	6.5	9.4	12.4	2.9	5.7	8.3	11.7				
5.4	4.2	12.6	7.3	5.3	4.1	12.6	7.4	5.1	3.9	13.2	7.1	5.1	4.0	13.0	6.7	4.9	3.7	12.5	6.5	4.6	3.4	11.0	5.6	3.8	2.7				
1203	1360	735	1008	1188	1354	712	981	1187	1342	675	977	1163	1327	628	959	1152	1319	612	950	1148	1312	605	940	1140	1310				
0.28	0.35	0.11	0.19	0.25	0.32	0.10	0.16	0.23	0.28	0.09	0.15	0.20	0.25	0.07	0.13	0.18	0.23	0.07	0.12	0.16	0.21	0.06	0.10	0.14	0.19				
0.38																													
DC																													
Ball																													
Yes																													
Sirocco																													
Yes																													
6" / 6" to 4" reducer																													
10-1/2"																													
13"																													
Add module FV-MSVK1 or FV-CMVK3																													
Yes																													
110/100/90/80/70/60/50/40/30 CFM																													
Yes																													
12.5																													
1,000																													
80																													
90																													
3000/3500/4000/5000/6000																													
50,000																													
N/A																													
LED chip																													
1.3																													
11.8																													
Yes																													
Yes																													
Yes																													
Yes																													
Yes																													



HEALTHY AIR, HEALTHY HOME

True Flow ratings at **0.375" and 0.5"** static pressure provide powerful airflow to assure code compliant, healthy homes.

FV-1115VKL3



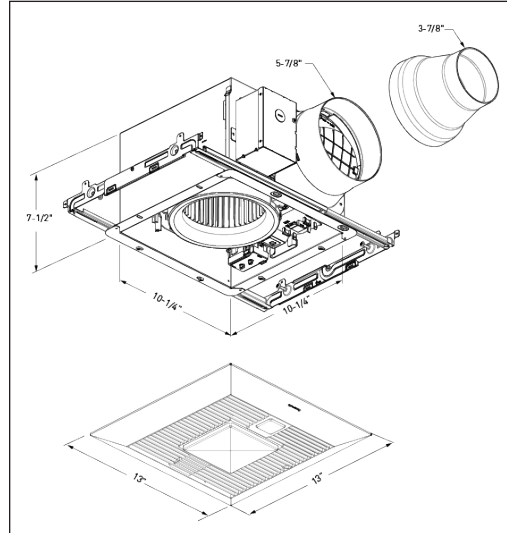
Specifications													
Duct Diameter (inches)													
Characteristics (HVI tested data for 0.1" S.P.)	Static Pressure in inches w.g.	0.1	0.25	0.375	0.5	0.1	0.25	0.375	0.5	0.1	0.25	0.375	0.5
	Air Volume (CFM)	150	150	147	115	130	130	130	117	120	120		
	Noise (sones)	0.4	0.8	---	---	<0.3	0.5	---	---	<0.3	0.4		
	Power Consumption (watts)	12.5	19.2	24.4	24.3	9.6	15.8	21.3	24.2	8.1	13.7		
	Energy Efficiency (CFM/Watt)	12.1	7.9	6.0	4.8	13.7	8.6	6.2	4.9	15.1	9.1		
	Speed (RPM)	729	959	1132	1289	677	944	1136	1288	657	931		
	Amps (Current)	0.21	0.3	0.39	0.39	0.16	0.26	0.34	0.38	0.14	0.23		
	MAX. Amps (Current)												
Specifications	Motor Type												
	Type of Motor Bearing												
	Thermal Fuse Protection												
	Blower Wheel Type												
	ENERGY STAR Qualified												
Installation	Duct Diameter (Inches)												
	Mounting Opening (Inches sq.)												
	Grille Size (Inches sq.)												
Additional Features	SmartAction Motion Sensor												
	On / Off Delay Timer												
	CustomVent Variable Speed Control												
	SmartFlow Optimum CFM Technology												
Light Specifications	Lamp Watts												
	Lumens (lm)												
	Lumens Per Watt (LPW)												
	Color Rendering Index												
	Color Temperature (Kelvin)												
	Rated Life (hours)												
	Lamp Model #												
Night Light Specs	Night Light Watts												
	Type of Lamp Socket												
Shipping	Gross Weight (lbs)												
Approved Code/Standard/Regulation	UL tub/Shower Enclosure												
	Washington VIAQ Code												
	Wall installation												
	California Title 24 Compliant												
	Mfg in ISO 9001 Certified Facility												

WhisperGreen [®] Select (Fan Only)																													
Base Fan + Warm White LED Light + Night Light																													
FV-1115VKL3 + FV-VS15VK1																													
6"																													
0.375	0.5	0.1	0.25	0.375	0.5	0.1	0.25	0.375	0.5	0.1	0.25	0.375	0.5	0.1	0.25	0.375	0.5	0.1	0.25	0.375	0.5	0.1	0.25	0.375	0.5	0.1	0.25	0.375	0.5
119	115	110	110	110	108	100	100	100	99	90	90	90	89	80	80	80	77	70	70	70	70	60	60	60	60	50	50	50	50
---	---	<0.3	0.3	---	---	<0.3	0.3	---	---	<0.3	0.3	---	---	<0.3	0.3	---	---	<0.3	0.3	---	---	<0.3	0.3	---	---	<0.3	0.3	---	---
18.6	23.8	6.9	12.3	17.4	22.8	6.2	11.4	16.5	20.7	5.3	10.4	15.1	19.5	4.7	9.4	13.7	18.2	4.2	8.5	12.8	17.0	4.0	7.7	11.6	15.2	3.5	7.1	10.3	13.6
6.5	4.9	16.4	9.3	6.6	4.8	16.7	9.2	6.5	4.9	17.5	9.0	6.3	4.7	17.4	9.0	6.2	4.3	16.9	8.4	5.6	4.2	15.6	8.1	5.4	4.1	14.9	7.3	5.2	4.0
1127	1298	635	930	1120	1291	633	930	1125	1282	604	927	1123	1292	595	920	1124	1305	586	916	1134	1312	602	921	1136	1305	582	929	1133	1310
0.31	0.38	0.13	0.21	0.29	0.36	0.12	0.2	0.27	0.34	0.1	0.17	0.25	0.31	0.08	0.16	0.22	0.28	0.08	0.15	0.21	0.27	0.07	0.14	0.19	0.25	0.07	0.12	0.17	0.22
0.39																													
DC																													
Ball																													
Yes																													
Sirocco																													
Yes																													
6" Duct																													
10-1/2"																													
13"																													
Add module FV-MSVK1 or FV-CMVK3																													
Add module FV-VS15VK1																													
FV-1115VKL3: 150/130/110 CFM																													
FV-1115VKL3 + FV-VS15VK1: 150/130/120/110/100/90/80/70/60/50 CFM																													
Yes																													
10																													
700																													
70																													
90																													
3000																													
50,000																													
N/A																													
LED chip																													
0.2																													
10.1																													
Yes																													
Yes																													
Yes																													
Yes																													
Yes																													

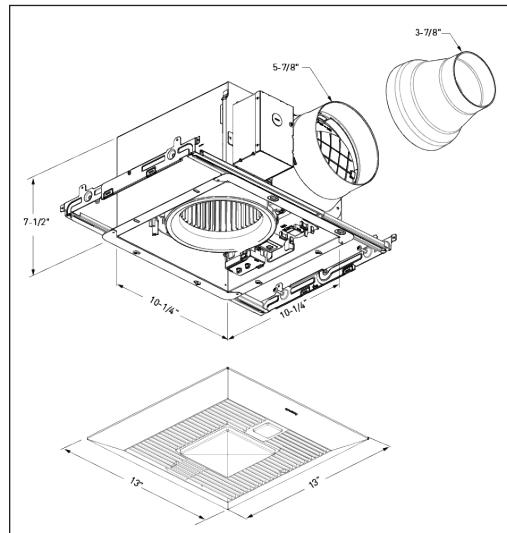


HEALTHY AIR, HEALTHY HOME
True Flow ratings at **0.375" and 0.5"** static pressure provide powerful airflow to assure code compliant, healthy homes.

FV-0511VKSL3



FV-0511VKL3



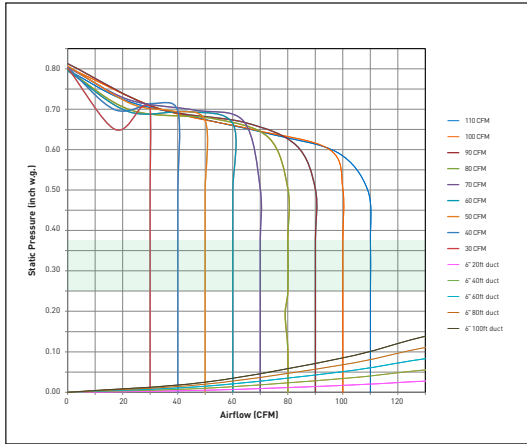
Specifications											
Duct Diameter (inches)											
Characteristics (HVI tested data for 0.1" S.P.)	Static Pressure in inches w.g.	0.1	0.25	0.375	0.5	0.1	0.25	0.375	0.5	0.1	0.25
	Air Volume (CFM)	110	110	107	104	100	100	100	100	90	90
	Noise (sones)	<0.3	0.3	---	---	<0.3	0.3	---	---	<0.3	0.3
	Power Consumption (watts)	7.2	12.6	18.1	22.7	6.0	11.4	16.5	21.6	5.3	10.4
	Energy Efficiency (CFM/Watt)	15.7	9.0	6.0	4.7	17.5	9.3	6.6	4.9	18.0	9.2
	Speed (RPM)	636	915	1123	1285	621	934	1126	1290	605	930
	Amps (Current)	0.12	0.20	0.28	0.35	0.11	0.19	0.27	0.35	0.10	0.18
	MAX. Amps (Current)										
Duct Diameter (inches)											
Characteristics (HVI tested data for 0.1" S.P.)	Static Pressure in inches w.g.	0.1	0.25	0.375	0.5	0.1	0.25	0.375	0.5	0.1	0.25
	Air Volume (CFM)	110	110	110	99	100	100	100	100	90	90
	Noise (sones)	<0.3	0.7	---	---	<0.3	0.7	---	---	<0.3	0.7
	Power Consumption (watts)	10.5	16.3	22.1	24.8	8.6	13.9	19.2	24.3	7.2	12.7
	Energy Efficiency (CFM/Watt)	10.8	7.0	5.1	4.1	12.2	7.6	5.5	4.3	13.1	7.6
	Speed (RPM)	824	1069	1244	1373	793	1039	1222	1370	754	1033
	Amps (Current)	0.17	0.26	0.34	0.38	0.15	0.23	0.31	0.38	0.13	0.21
	MAX. Amps (Current)										
Specifications	Motor Type										
	Type of Motor Bearing										
	Thermal Fuse Protection										
	Blower Wheel Type										
	ENERGY STAR Qualified										
Installation	Duct Diameter (Inches)										
	Mounting Opening (Inches sq.)										
	Grille Size (Inches sq.)										
Additional Features	SmartAction Motion Sensor										
	On / Off Delay Timer										
	CustomVent Variable Speed Control										
	SmartFlow Optimum CFM Technology										
Light Specifications	Lamp Watts										
	Lumens (lm)										
	Lumens Per Watt (LPW)										
	Color Rendering Index										
	Color Temperature (Kelvin)										
	Rated Life (hours)										
	Lamp Model #										
Type of Lamp Socket											
Night Light Specs	Night Light Watts										
Shipping	Gross Weight (lbs)										
Approved Code/Standard/Regulation	UL tub/Shower Enclosure										
	Washington VIAQ Code										
	Wall installation										
	California Title 24 Compliant										
Mfg in ISO 9001 Certified Facility											

WhisperGreen [®] Select (Fan + Light)																									
Base Fan / Fan with multi-speed + Warm White LED Light + Night Light																									
FV-0511VKL3 / FV-0511VKSL3																									
6"																									
0.375	0.5	0.1	0.25	0.375	0.5	0.1	0.25	0.375	0.5	0.1	0.25	0.375	0.5	0.1	0.25	0.375	0.5	0.1	0.25	0.375	0.5	0.1	0.25	0.375	0.5
90	90	80	80	80	80	70	70	70	70	60	60	60	60	50	50	50	50	40	40	40	40	30	30	30	30
---	---	<0.3	0.3	---	---	<0.3	0.3	---	---	<0.3	0.3	---	---	<0.3	0.3	---	---	<0.3	0.3	---	---	<0.3	<0.3	---	---
15.0	19.7	4.6	9.4	13.5	18.2	4.2	8.5	12.5	16.4	3.9	8.0	11.3	15.4	3.5	7.2	10.1	13.7	3.2	6.3	9.0	12.6	2.9	5.6	8.5	11.7
6.5	4.8	18.2	9.1	6.3	4.8	17.8	8.8	6.0	4.6	15.5	7.6	5.4	4.0	14.9	7.2	5.3	4.0	13.3	6.8	4.8	3.5	11.0	5.8	3.9	3.0
1122	1294	591	922	1121	1292	588	920	1129	1292	595	935	1131	1311	587	937	1130	1314	586	934	1138	1325	595	938	1155	1304
0.25	0.32	0.09	0.17	0.23	0.30	0.08	0.15	0.21	0.27	0.07	0.14	0.19	0.25	0.07	0.13	0.17	0.22	0.06	0.11	0.16	0.21	0.06	0.10	0.15	0.20
0.35																									
4"																									
0.375	0.5	0.1	0.25	0.375	0.5	0.1	0.25	0.375	0.5	0.1	0.25	0.375	0.5	0.1	0.25	0.375	0.5	0.1	0.25	0.375	0.5	0.1	0.25	0.375	0.5
90	90	80	80	80	80	70	70	70	70	60	60	60	60	50	50	50	50	40	40	40	40	30	30	30	30
---	---	<0.3	0.7	---	---	<0.3	0.7	---	---	<0.3	0.6	---	---	<0.3	0.6	---	---	<0.3	0.5	---	---	<0.3	0.4	---	---
17.0	21.9	6.4	11.1	15.0	18.8	5.3	9.6	13.8	17.7	4.7	8.3	11.9	15.8	3.9	7.4	10.7	14.2	3.5	6.4	9.7	13.0	3.1	5.9	9.2	12.0
5.6	4.3	13.0	7.6	5.5	4.4	13.3	7.4	5.5	4.0	12.9	7.3	5.1	3.9	13.1	6.8	5.0	3.8	11.9	6.5	4.7	3.5	10.0	5.3	3.6	2.9
1199	1359	722	1004	1187	1342	693	983	1184	1343	672	966	1169	1331	643	961	1158	1334	628	955	1165	1338	623	969	1158	1327
0.28	0.35	0.11	0.18	0.25	0.30	0.10	0.16	0.23	0.28	0.09	0.14	0.20	0.26	0.07	0.13	0.18	0.23	0.07	0.11	0.16	0.21	0.06	0.11	0.15	0.20
0.38																									
DC																									
Ball																									
Yes																									
Sirocco																									
Yes																									
6" / 6" to 4" reducer																									
10-1/2"																									
13"																									
Add module FV-MSVK1 or FV-CMVK3																									
Standard in FV-0511VKSL3 Model																									
FV-0511VKL3: 110/80/50																									
FV-0511VKSL3: 110/100/90/80/70/60/50/40/30																									
Yes																									
10.0																									
700																									
70																									
90																									
3000																									
50,000																									
N/A																									
LED chip																									
0.2																									
10.1																									
Yes																									
Yes																									
Yes																									
Yes																									
Yes																									

FV-0511VK3 50-80-110

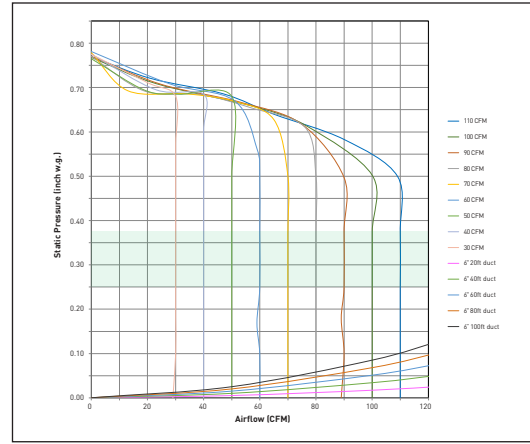
FV-0511VKS3 30-110

- Fan with multi-speed tested with 6" duct
- Certified Performance with 4" duct available

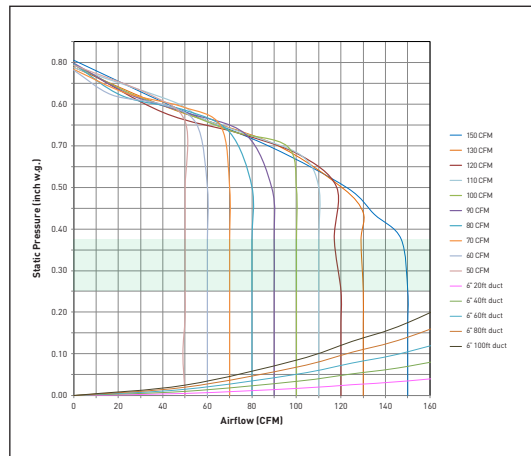


FV-0511VKS3S 30-110

- Architectural Grille Fan with multi-speed tested with 6" duct
- Certified Performance with 4" duct Available

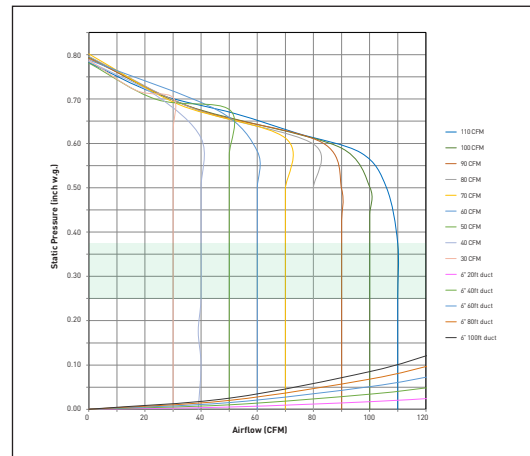


FV-1115VK3 110-130-150 Base Fan +
FV-VS15VK1 50-150 Tested with 6" duct

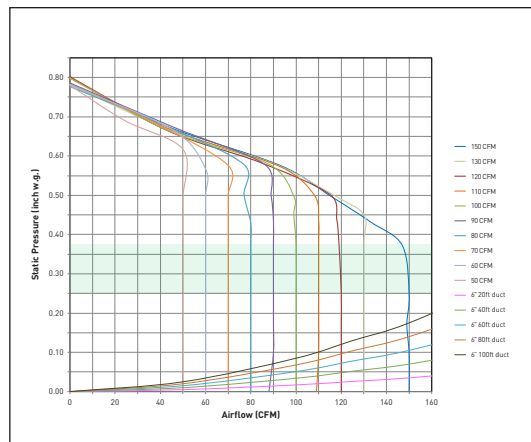


FV-0511VKSL3K 30-110

- Architectural Grille LED Fan with multi-speed tested with 6" duct
- Certified Performance with 4" duct available



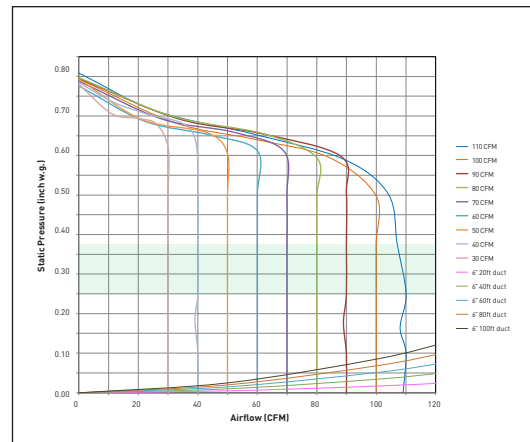
FV-1115VKL3 110-130-150 Base Fan +
FV-VS15VK1 50-150 Tested with 6" duct



FV-0511VKL3 50-80-110

FV-0511VKSL3 30-110

- Fan + LED with multi-speed tested with 6" Duct
- Certified Performance with 4" duct Available



Panasonic
IAQ Division
Two Riverfront Plaza
Newark, NJ 07102
na.panasonic.com/us/iaq

For Order Information
PHONE: 866-292-7299
FAX: 888-553-0723
ventfans@us.panasonic.com

Design and specifications subject to change without notice.