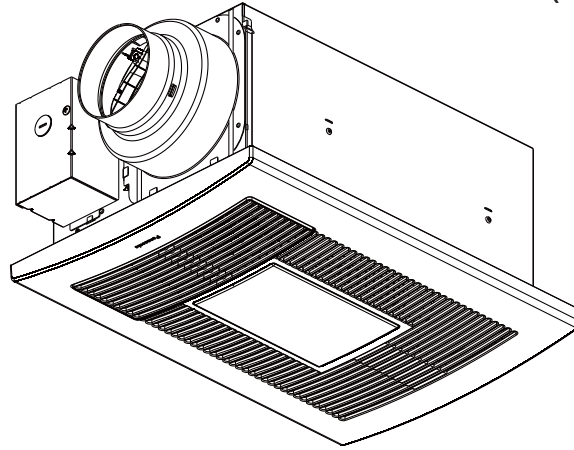


# Service Manual

Fan Heater

(North America Market)



FV-0511VHL1

## ⚠ WARNING

This service information is designed for experienced repair technicians only and is not designed for use by the general public. It does not contain warnings or cautions to advise non-technical individuals of potential dangers in attempting to service a product. Products powered by electricity should be serviced or repaired only by experienced professional technicians. Any attempt to service or repair the product or products dealt with in this service information by anyone else could result in serious injury or death.

## IMPORTANT SAFETY NOTICE

There are special components used in this equipment which are important for safety. These parts are marked by ⚠ in the Schematic Diagrams, Exploded Views and Replacement Parts List. It is essential that these critical parts should be replaced with manufacturer's specified parts to prevent shock, fire or other hazards. Do not modify the original design without the manufacturer's approval. Please have a static electricity depletion process in place before handling these components.. Please use gloves when handling PCB parts during the repair process..

CONTENTS	PAGE
1.Specification.....	1
2.Parts Identification.....	2 ~ 7
3.Wiring Diagram.....	8
4.Parts List.....	9 ~ 11

# 1. Specification

---

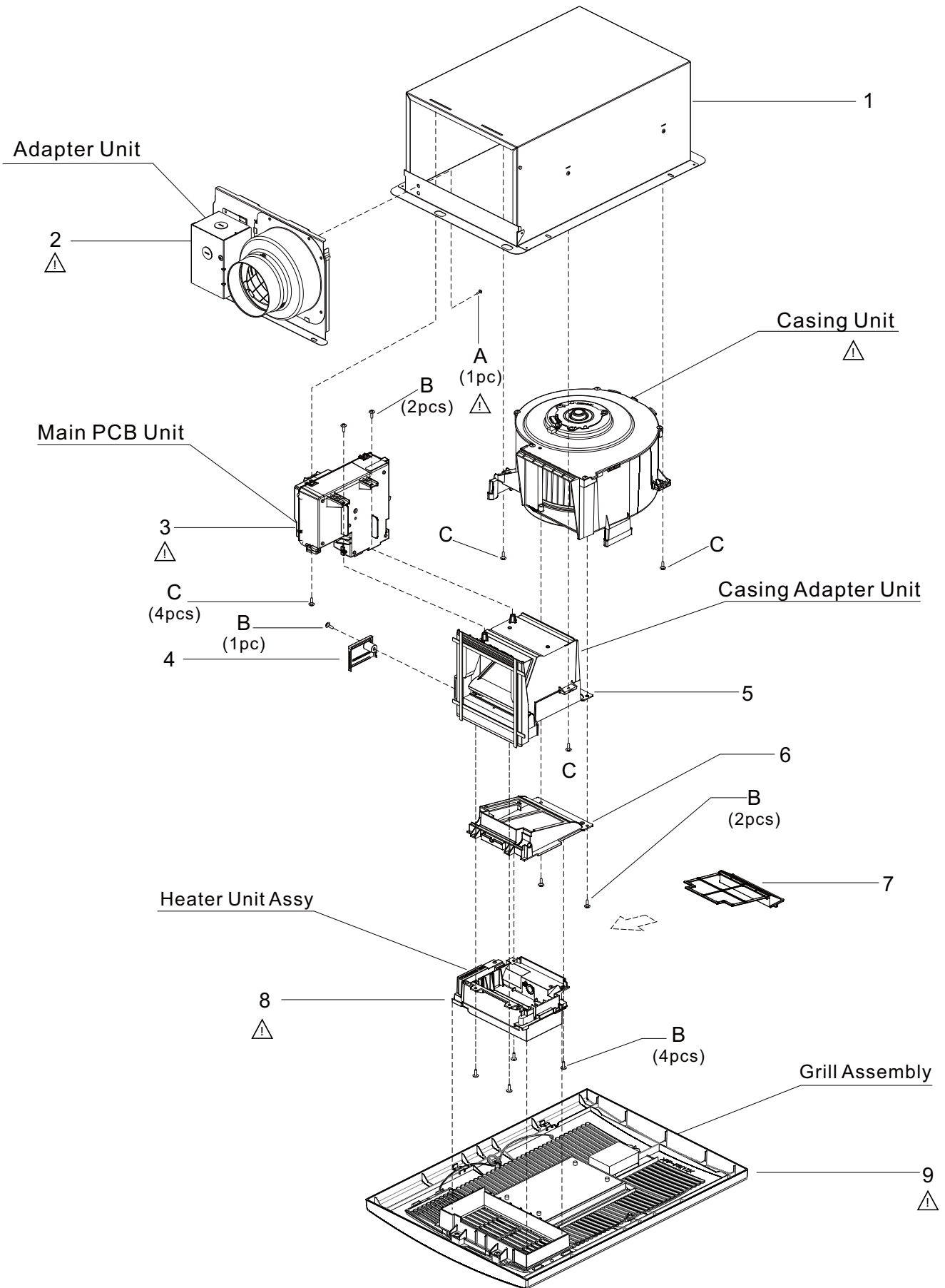
Model No.	Air direction	Voltage [V]	Frequency [Hz]	Air volume at 0.1"WG [CFM]	Noise [sone]	Power [W]			Weight [lb. (kg)]
				Vent	Vent	Heat	Vent	Light	
FV-0511VHL1	Exhaust & Circulation	120	60	50	<0.3	1480 (25 °C) 1680 (0 °C)	4.7	10	15.1 (6.9)
				80	<0.3		7.4		
				110	0.7		12.4		

HVI Certified performance based on HVI Procedures 915, 916, and 920. (Ventilating mode only)

# 2. Parts Identification

FV-0511VHL1

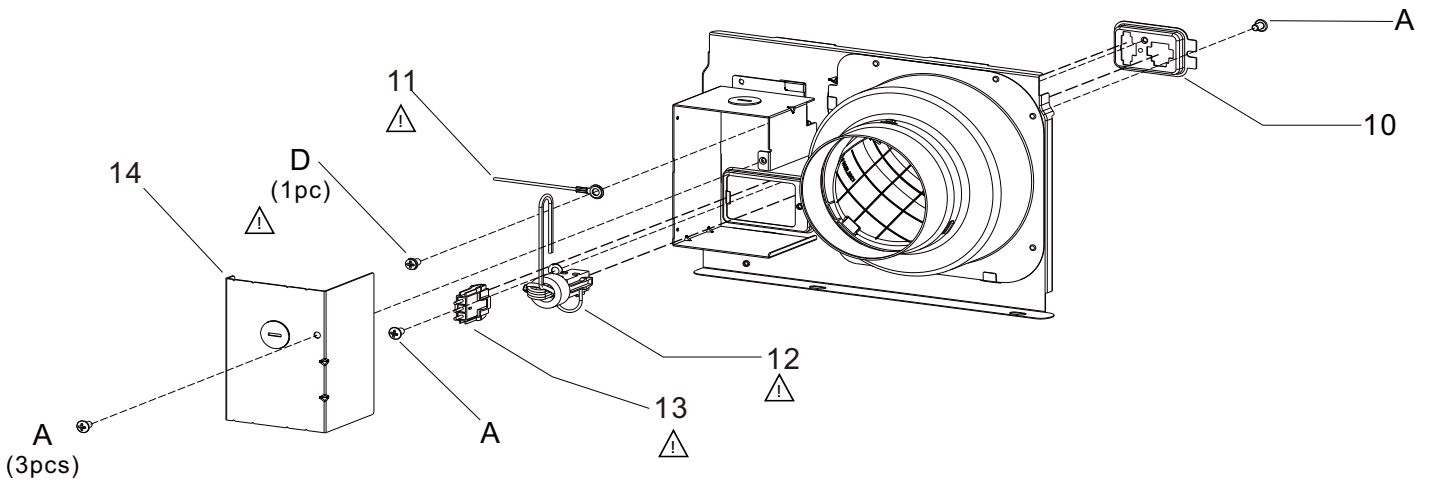
## Main Body Section



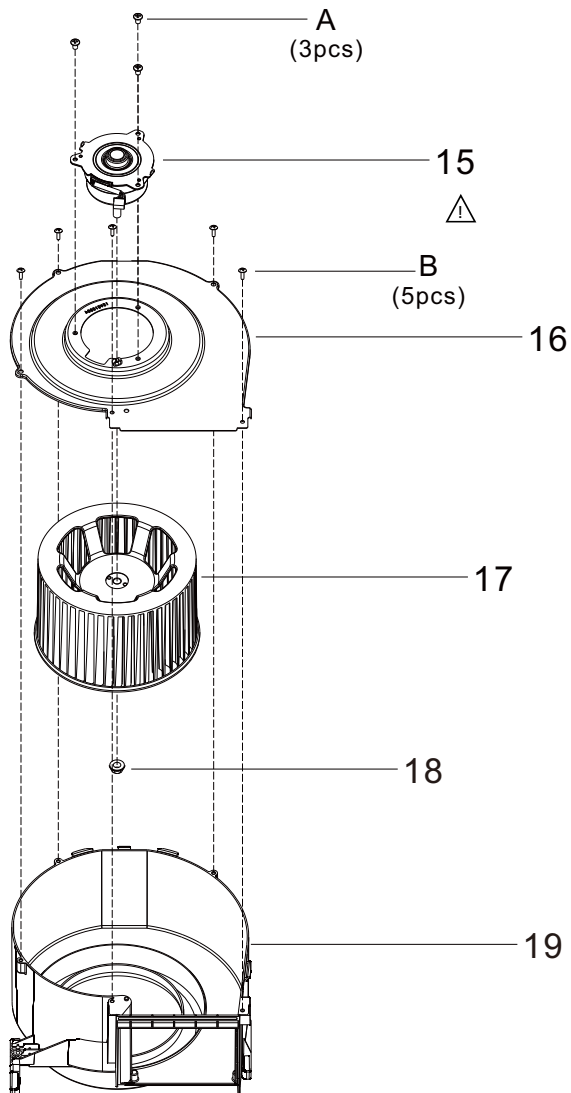
## 2. Parts Identification

FV-0511VHL1

### Adapter Unit



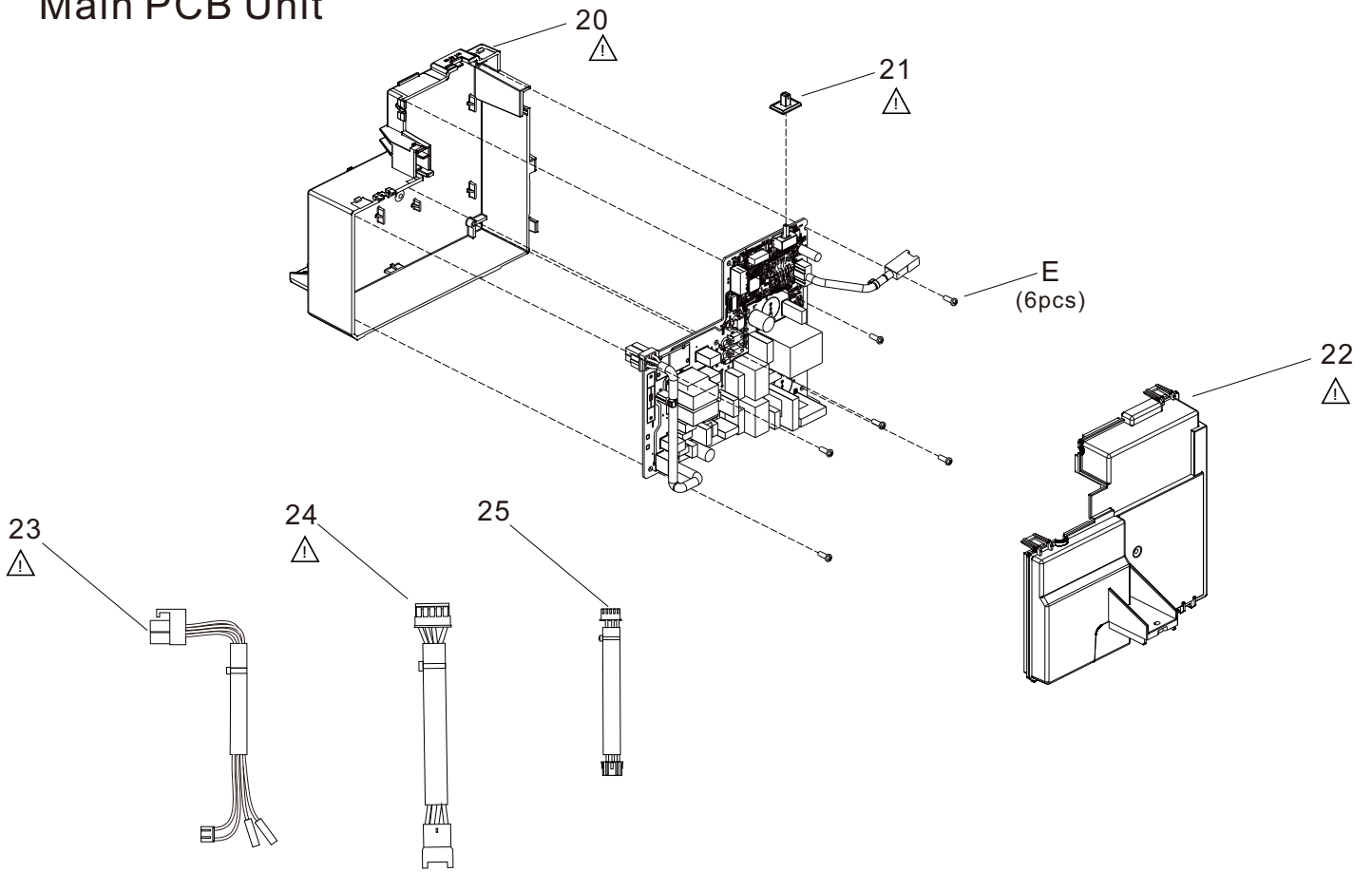
### Casing Unit



## 2. Parts Identification

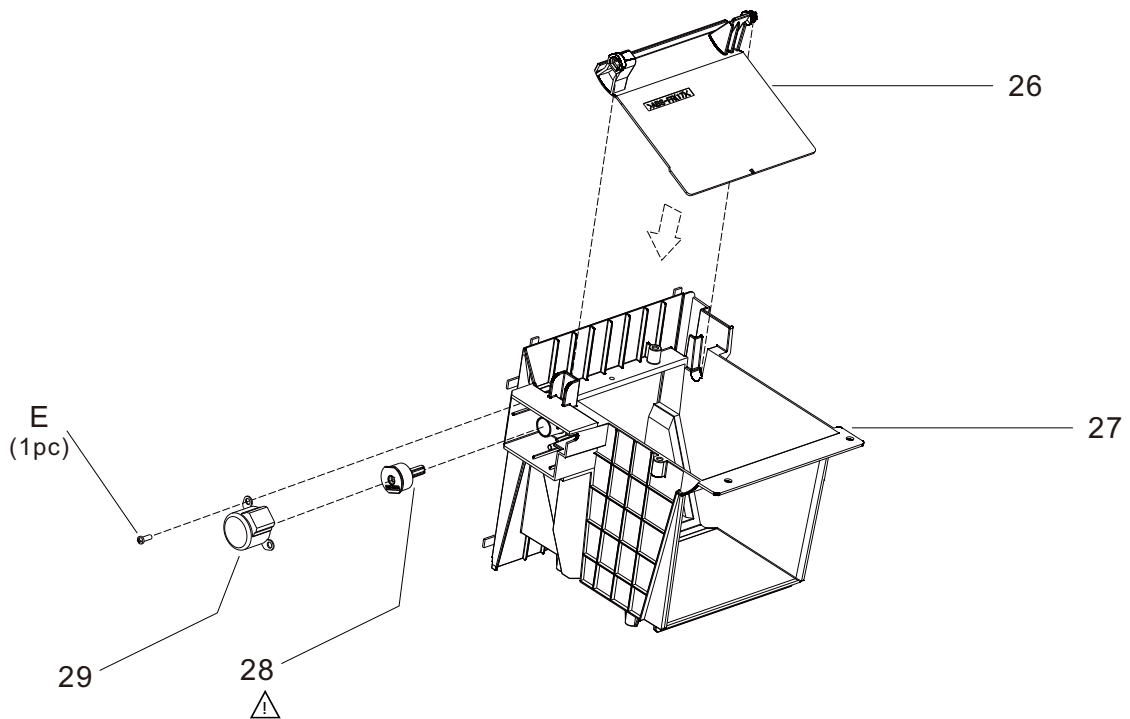
FV-0511VHL1

### Main PCB Unit



---

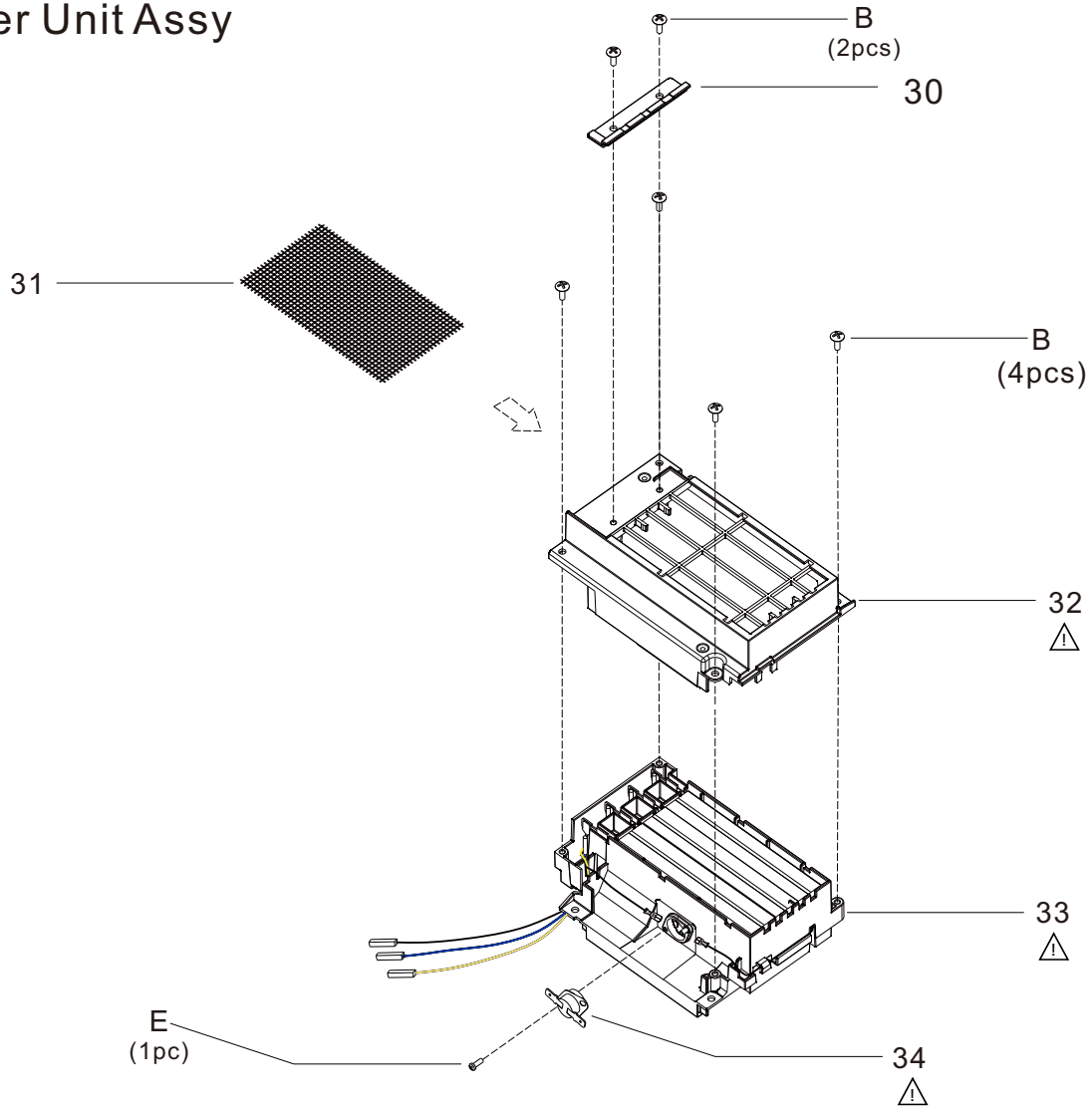
### Casing Adapter Unit



## 2. Parts Identification

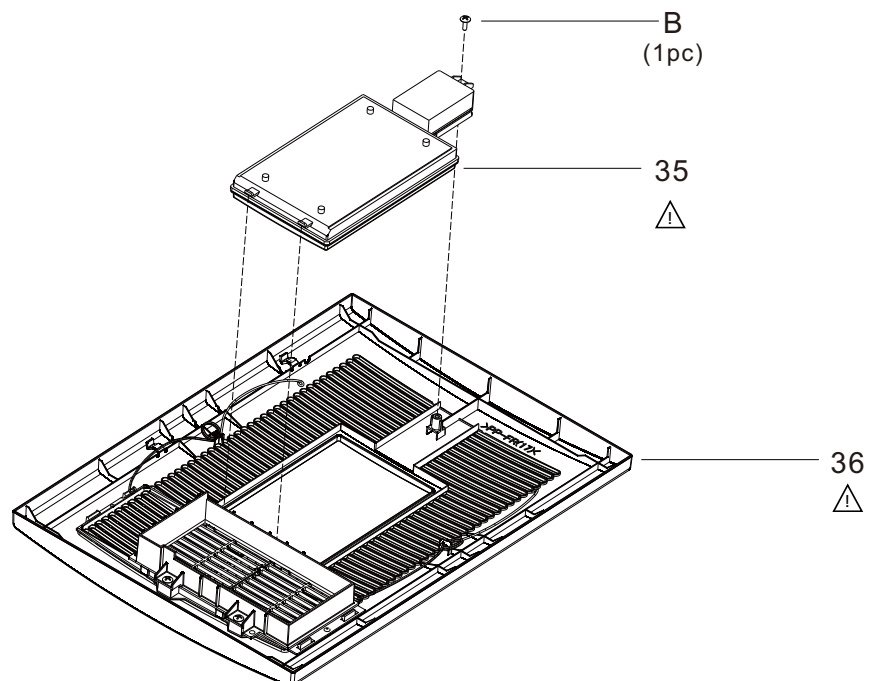
FV-0511VHL1

### Heater Unit Assy



---

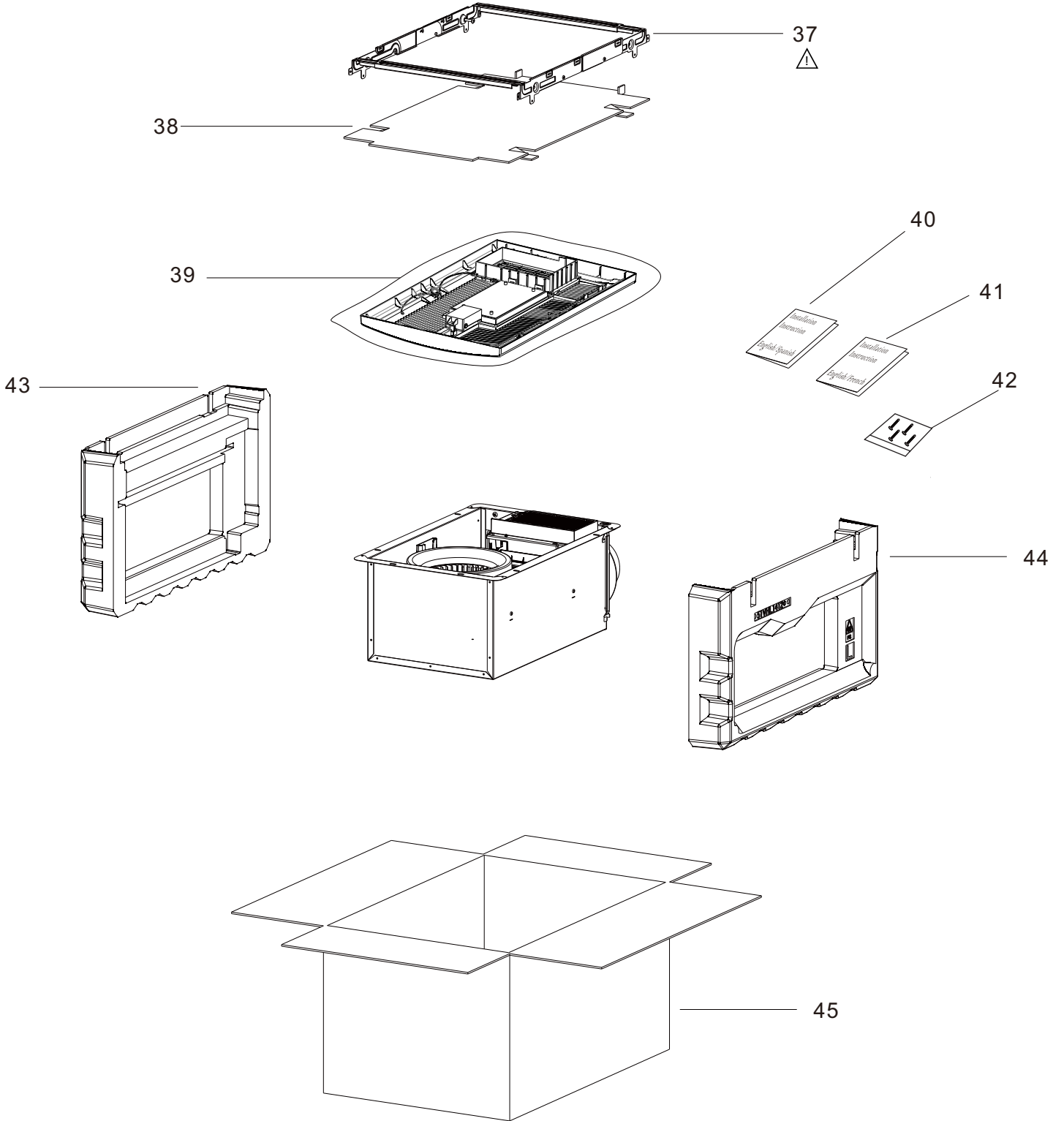
### Grill Assembly



# 2. Parts Identification

FV-0511VHL1

## Packing Section




# 2. Parts Identification

FV-0511VHL1

## Main Label

Secure screw tightly for ground continuity  
 Vissez fermement pour la continuité de la mise à la terre

46



**WARNING:**  
 Before servicing or cleaning unit, switch power off at service panel and lock service panel to prevent power from being switched on accidentally.

**CAUTION:**  
 1. Not for use in cooking area. See installation instructions.  
 2. Use only on 20 ampere branch circuit.

**AVERTISSEMENT:**  
 Avant de nettoyer ou de faire l'entretien de l'appareil, couper l'alimentation sur le panneau de service et verrouiller le dispositif d'alimentation afin de prévenir tout rétablissement accidentel.

**ATTENTION:**  
 1. Non destiné à la zone de cuisson. Voir instructions d'installation.  
 2. N'utiliser qu'un circuit terminal de 20 ampères.

47

**Panasonic**  
 Fan Heater  
 Ventilateur avec élément chauffant

Model No. **FV-0511VHL1**  
 AC120 V 60 Hz 12.4 A (25 °C) 14.1 A (0 °C) (Heat)  
 AC120 V 60 Hz 0.5 A (Vent)  
 AC120 V 60 Hz 0.1 A (Light)

UL LISTED (FAN HEATER) 18RC  
 FC M

Ser.No. [ ]

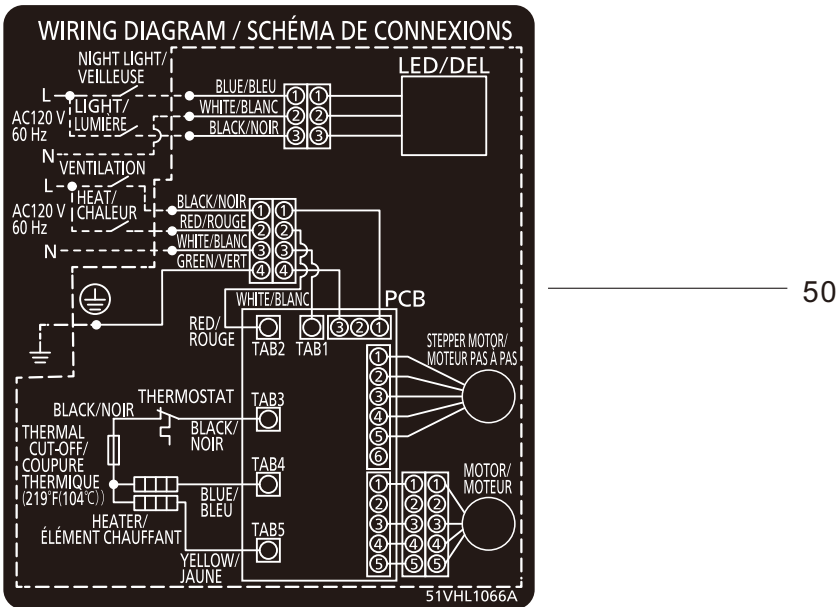
Panasonic Corporation of North America  
 Assembled in Mexico / Assemblé au Mexique

TYPE IC - INHERENTLY PROTECTED  
 TYPE IC - PROTECTION INTRINSEQUE

48

50 80 110  
 CFM

49

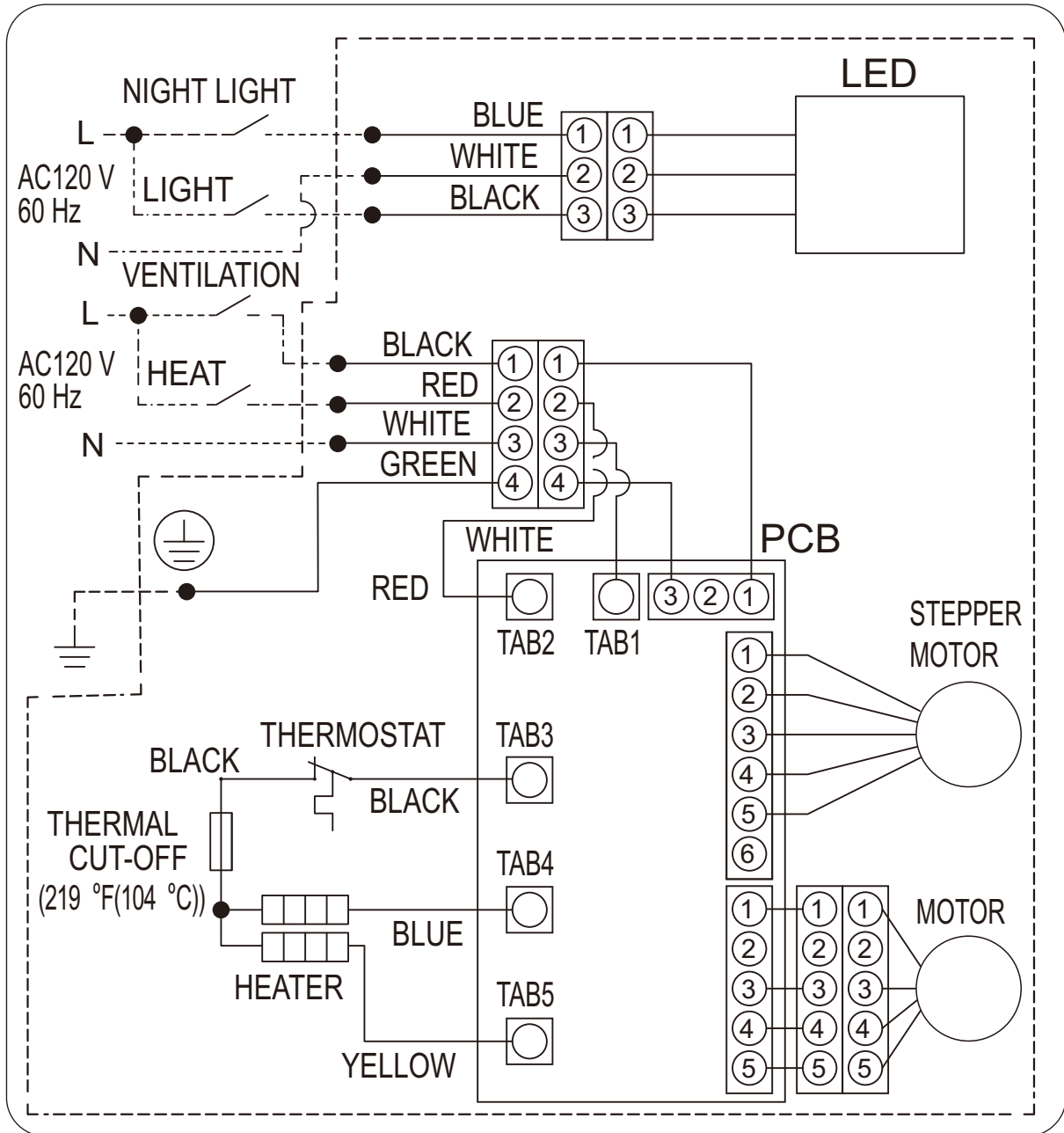


TESTED/CERTIFIED  
 2100  
 Home Ventilating Institute

51



# 3. Wiring Diagram



## 4. Parts List

FV-0511VHL1

### Main Body Section

No.	Part No.	Part Name	Q'ty	Remark
1	FFV51VHL190	Frame Unit	1	
2	FFV51VHL191	Adapter Unit	1	⚠
3	FFV0511VHL1	Main PCB Unit	1	⚠
4	FFV51VHL193	SP Motor Cover	1	
5	FFV5VHL1902	Casing Adapter Unit	1	
6	FFV51VHL181	Filter Guide	1	
7	FFV5VHL1813	Filter	1	
8	FFV51VHL170	Heater Unit	1	⚠
9	FFV5VHL1810	Grill Assembly	1	⚠
A	FFVXTT4-8FFJ	Screw (ST4-8)	1	⚠
B	FFV7000089S	Truss Tap Screw	9	
C	FFV7000065S	Bind Screw	4	

### Adapter Unit

No.	Part No.	Part Name	Q'ty	Remark
10	FFV5VHL1913	Connector Plate	1	
11	FFV3450010S	Earth Lead Wire	1	⚠
12	FFV51VHL130	Connector Assy	1	⚠
13	FFV11QCL1341A	Connector Assy (L)	1	⚠
14	FFV11QCL1912A	Junction Cover	1	
A	FFVXTT4-8FFJ	Screw (ST4-8)	3	
D	FFVXYM4DC8BN	Screw	1	⚠

### Casing Unit

No.	Part No.	Part Name	Q'ty	Remark
15	FFV11QCL1M21AX	Motor Assembly	1	⚠
16	FFV15VQ10904	Motor Support	1	
17	FFVM15VK10802B	Blade	1	
18	FFV7020021S	Nut	1	
19	FFV5VHL1906	Casing	1	
A	FFVXTT4-8FFJ	Screw (ST4-8)	3	
B	FFV7000089S	Truss Tap Screw	5	

## 4. Parts List

FV-0511VHL1

### Main PCB Unit

No.	Part No.	Part Name	Q'ty	Remark
20	FFV51VHL1900	Main PCB Box	1	⚠
21	FFV510VS1M9	Speed Switch	1	⚠
22	FFV51VHL199	Main PCB Cover	1	⚠
23	FFV51VHL131	Power Lead Wire	1	⚠
24	FFV51VHL132	Motor Lead Wire	1	⚠
25	FFV51VHL135	SP Motor Lead Wire	1	
E	FFV7000145S	Pan Tap Screw	6	

### Casing Adapter Unit

No.	Part No.	Part Name	Q'ty	Remark
26	FFV51VHL1930	Damper	1	
27	FFV51VHL1908	Casing Adapter	1	
28	FFV30BU10908	Joint	1	⚠
29	FFVMSFJC20A	SP Motor	1	
E	FFV7000145S	Pan Tap Screw	1	



### Heater Unit Assy

No.	Part No.	Part Name	Q'ty	Remark
30	FFV51VHL1708	Mesh Holder	1	
31	FFV51VHL1707	Mesh	1	
32	FFV51VHL1702	Heater Cover	1	⚠
33	FFV51VHL1710	PTC Heater Assy	1	⚠
34	FFV51VHL1720	Thermostat	1	⚠
B	FFV7000089S	Truss Tap Screw	6	
E	FFV7000145S	Pan Tap Screw	1	


## 4. Parts List

FV-0511VHL1

### Grill Assembly

No.	Part No.	Part Name	Q'ty	Remark
35	FFV51VHL1070	Led Unit	1	
36	FFV51VHL1811	Grill Section	1	
B	FFV7000089S	Truss Tap Screw	1	

### Packing Section

No.	Part No.	Part Name	Q'ty	Remark
37	FFV51VHL1920	Hanger Assy	1	
38	FFV51VHL1137	Grill Pad Assy	1	
39	FFV51VHL1010	Poly Cover	1	
40	FFV51VHL1420	Install. Instr. (Eng/Esp)	1	
41	FFV51VHL1421	Install. Instr. (Eng/Fre)	1	
42	FFV01NES0045	Accessory A	1	
43	FFV51VHL1413	Rigth Pad	1	
44	FFV51VHL1412	Left Pad	1	
45	FFV51VHL1400	Packing Case	1	

### Main Label

No.	Part No.	Part Name	Q'ty	Remark
46	FFV51VHL1051	Instruccion Label	1	
47	FFV51VHL1052	Caution Label	1	
48	FFV51VHL1050	Name Plate	1	
49	FFV51VHL1012	Speed Switch Label	1	
50	FFV51VHL1066	Wiring Label	1	
51	FFV51VHL1053	HVI Mark	1	