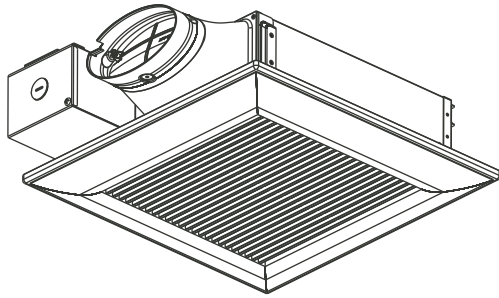
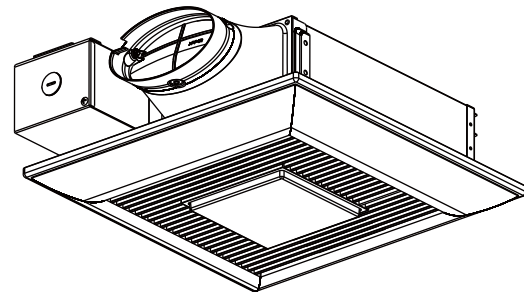


Service Manual

Ventilating Fan
(North America Market)



FV-0510VSC1
FV-0810VSS1



FV-0510VSCL1
FV-0510VSL1
FV-0810VSSL1

⚠ WARNING

This service information is designed for experienced repair technicians only and is not designed for use by the general public. It does not contain warnings or cautions to advise non-technical individuals of potential dangers in attempting to service a product. Products powered by electricity should be serviced or repaired only by experienced professional technicians. Any attempt to service or repair the product or products dealt with in this service information by anyone else could result in serious injury or death.

IMPORTANT SAFETY NOTICE

There are special components used in this equipment which are important for safety. These parts are marked by ⚠ in the Schematic Diagrams, Exploded Views and Replacement Parts List. It is essential that these critical parts should be replaced with manufacturer's specified parts to prevent shock, fire or other hazards. Do not modify the original design without permission of manufacture. We suggest to handle such parts after the static electricity prevention. It is forbidden to touch the PCB parts by bare hands during the repairing process.

CONTENTS	PAGE
1.Specifications	1
2.Parts Identification	2~13
3.Wiring Diagram	14
4.Parts List	15~24

1. Specifications

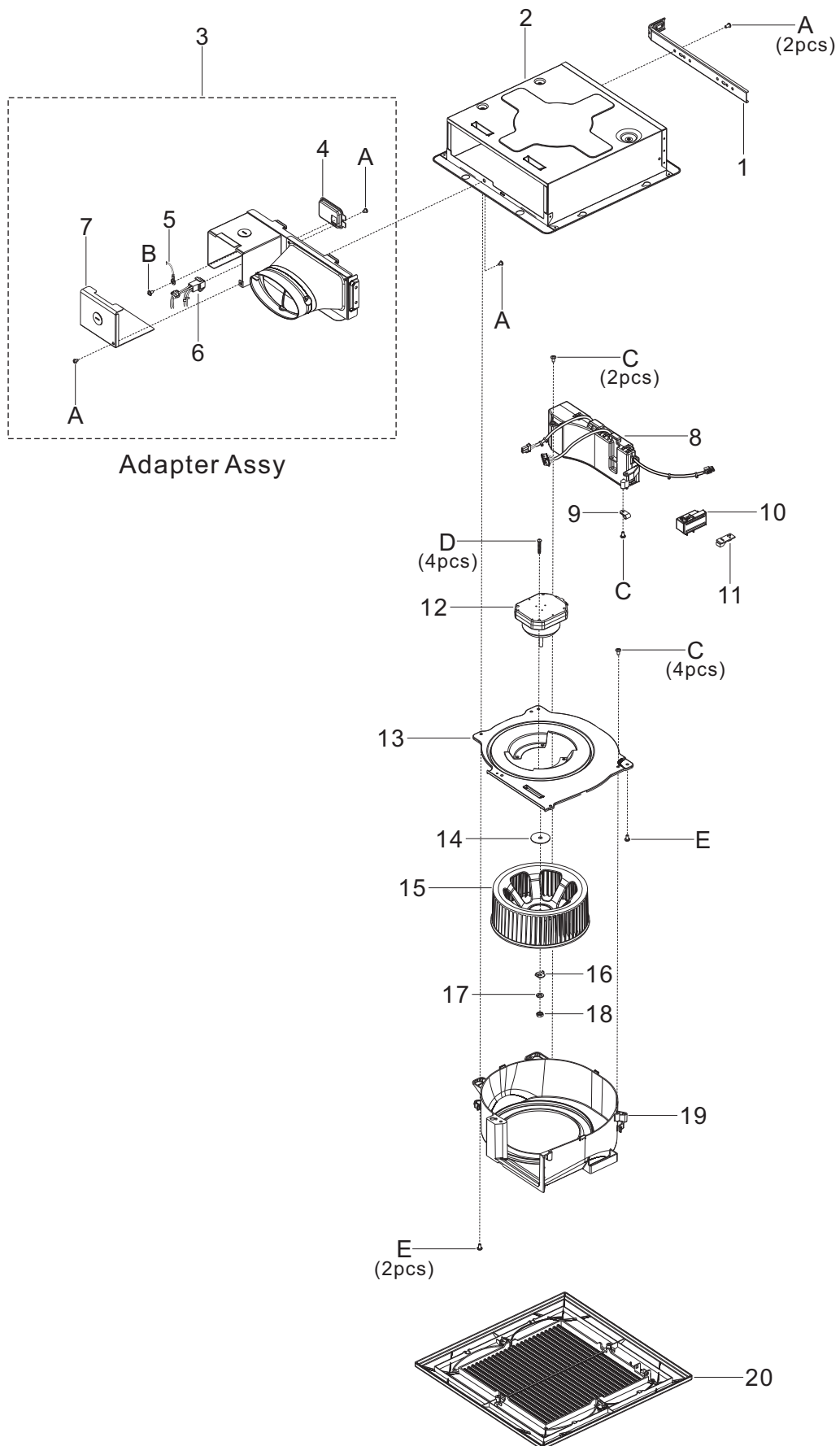
Model No.	Air direction	Voltage (V)	Frequency (Hz)	Duct diameter (inches)	Air volume at 0.1" WG (CFM)	Noise (sones)	Speed (rpm)	Power (W)	Weight lb.(kg)
FV-0510VSC1	Exhaust	120	60	4	50	<0.3	733	4.5	7.0 (3.2)
					80	0.4	856	8.5	
					100	0.9	954	12.4	
FV-0810VSS1	Exhaust	120	60	4	30	<0.3	711	3.4	
					40	<0.3	723	3.8	
					50	<0.3	733	4.5	
					60	<0.3	770	5.3	
					70	<0.3	805	6.5	
					80	0.4	856	8.5	
					100	0.9	954	12.4	
FV-0510VSL1	Exhaust	120	60	4	50	<0.3	733	4.5	7.9 (3.6)
FV-0510VSCL1					80	0.4	856	8.5	
					100	0.9	954	12.4	
FV-0810VSSL1	Exhaust	120	60	4	30	<0.3	711	3.4	
					40	<0.3	723	3.8	
					50	<0.3	733	4.5	
					60	<0.3	770	5.3	
					70	<0.3	805	6.5	
					80	0.4	856	8.5	
					100	0.9	954	12.4	

HVI Certified performance based on HVI Procedures 915, 916, and 920.

2. Parts Identification

FV-0510VSC1

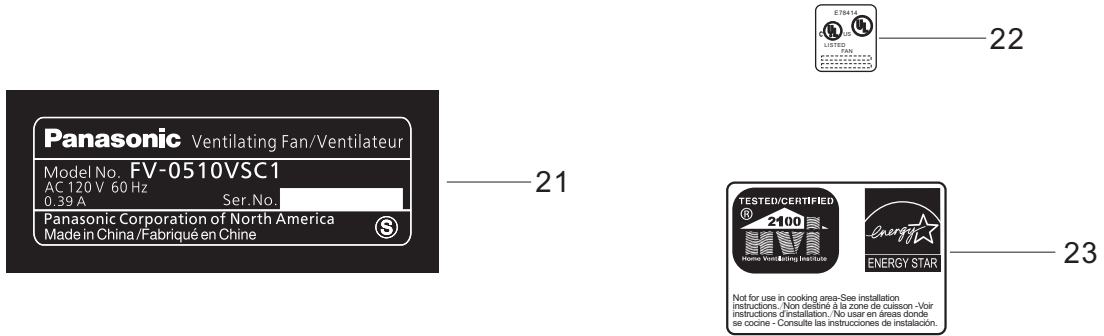
Main Body Section



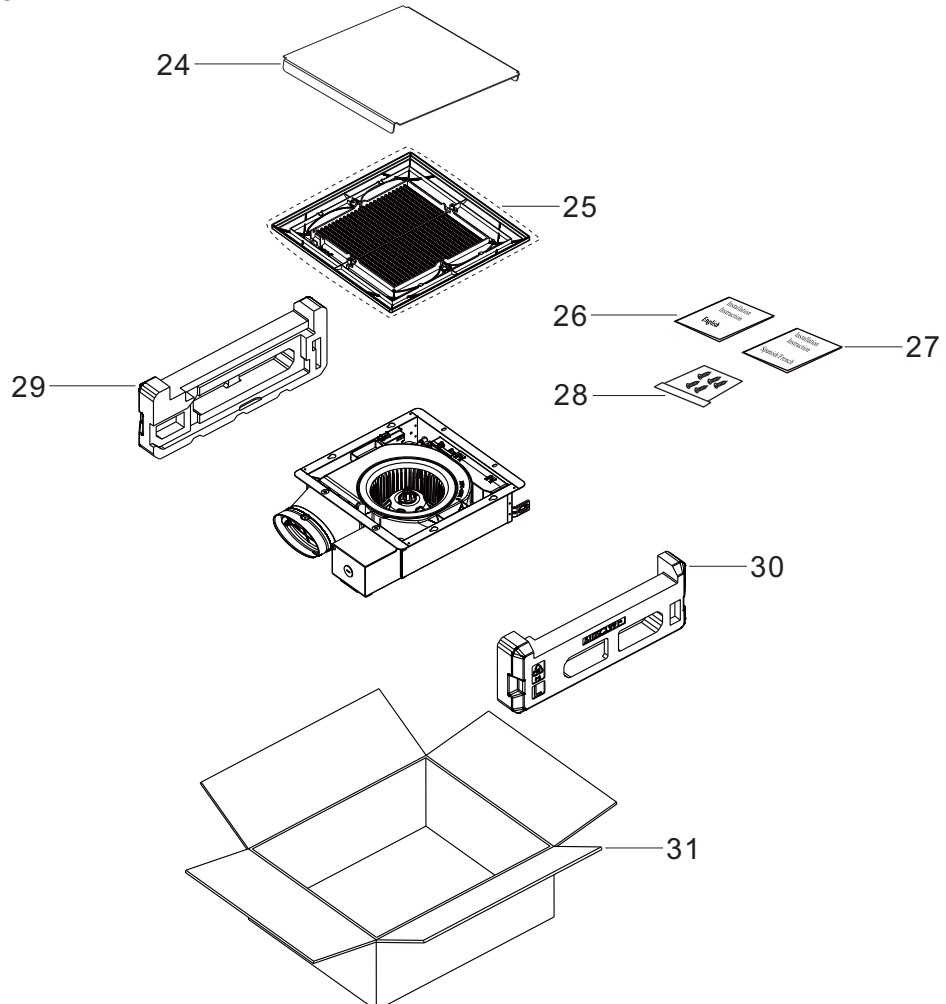
2. Parts Identification

FV-0510VSC1

Main Labels



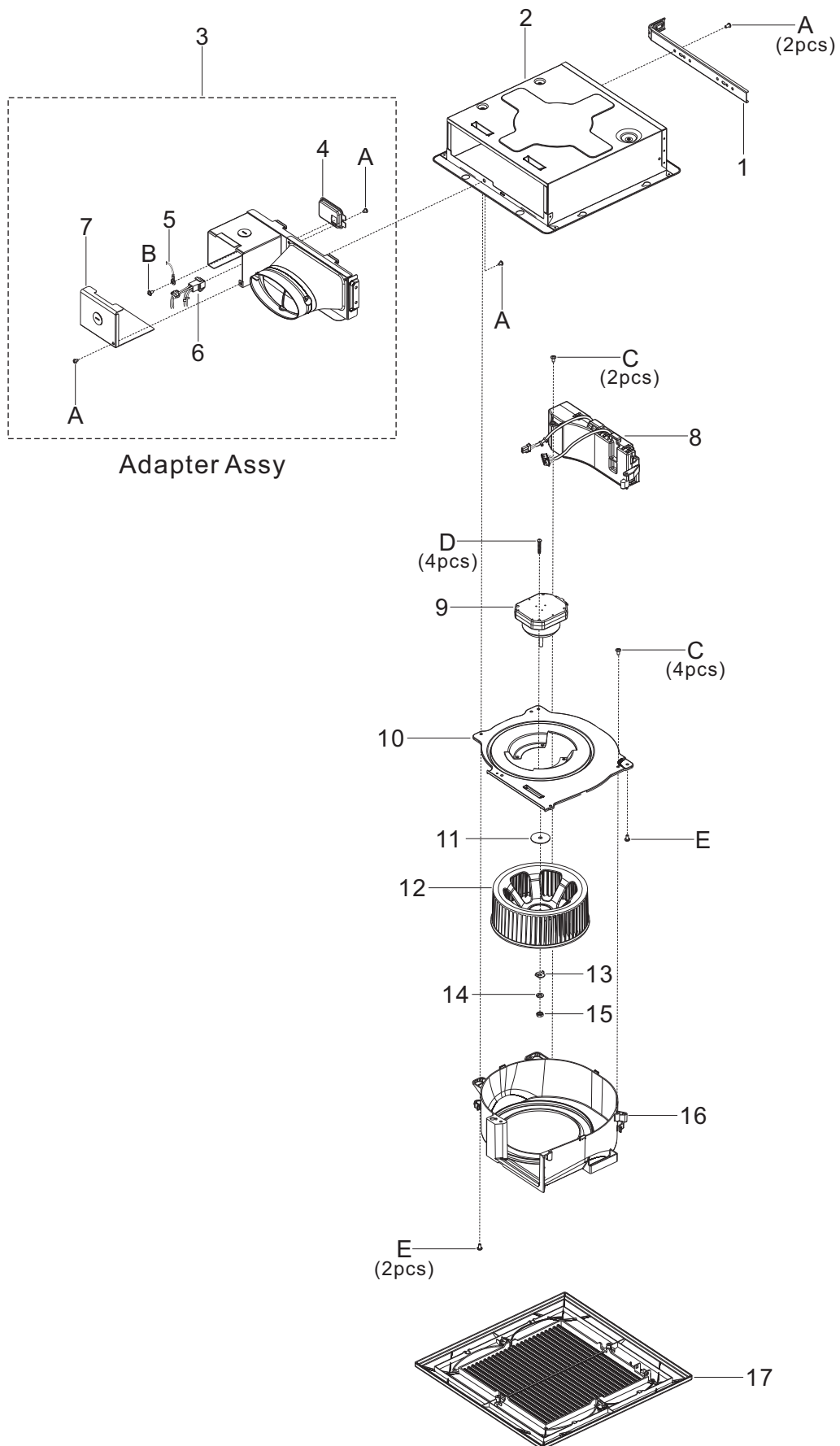
Packing Section



2. Parts Identification

FV-0810VSS1

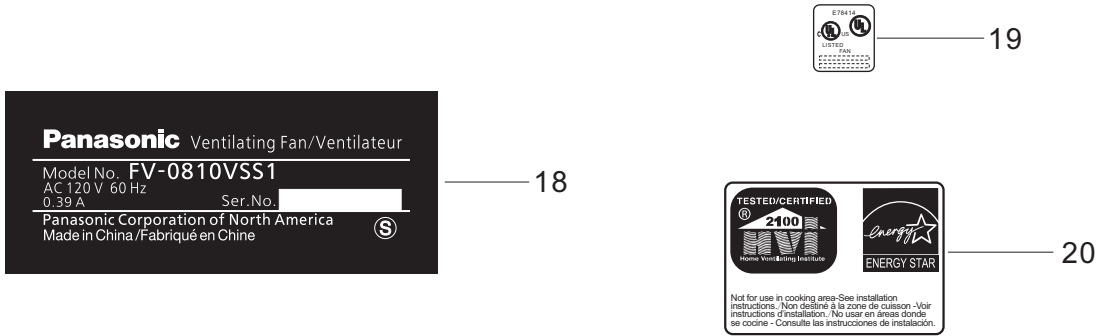
Main Body Section



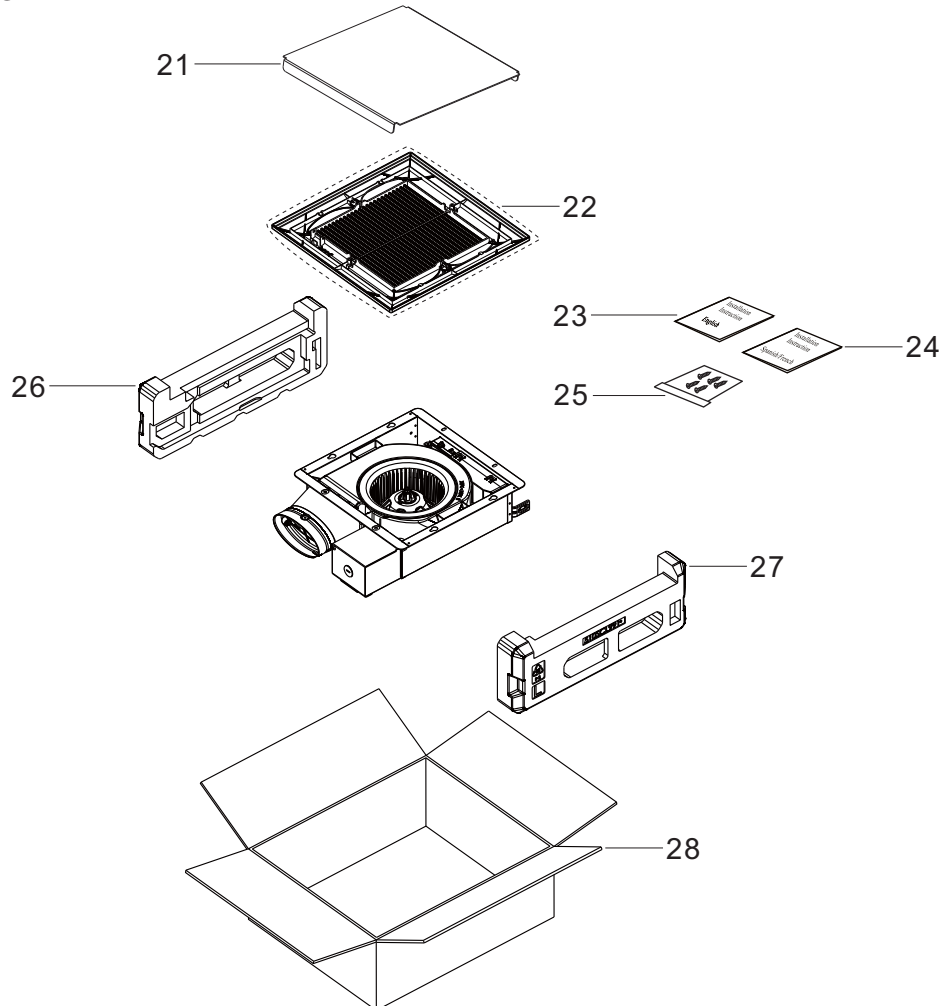
2. Parts Identification

FV-0810VSS1

Main Labels



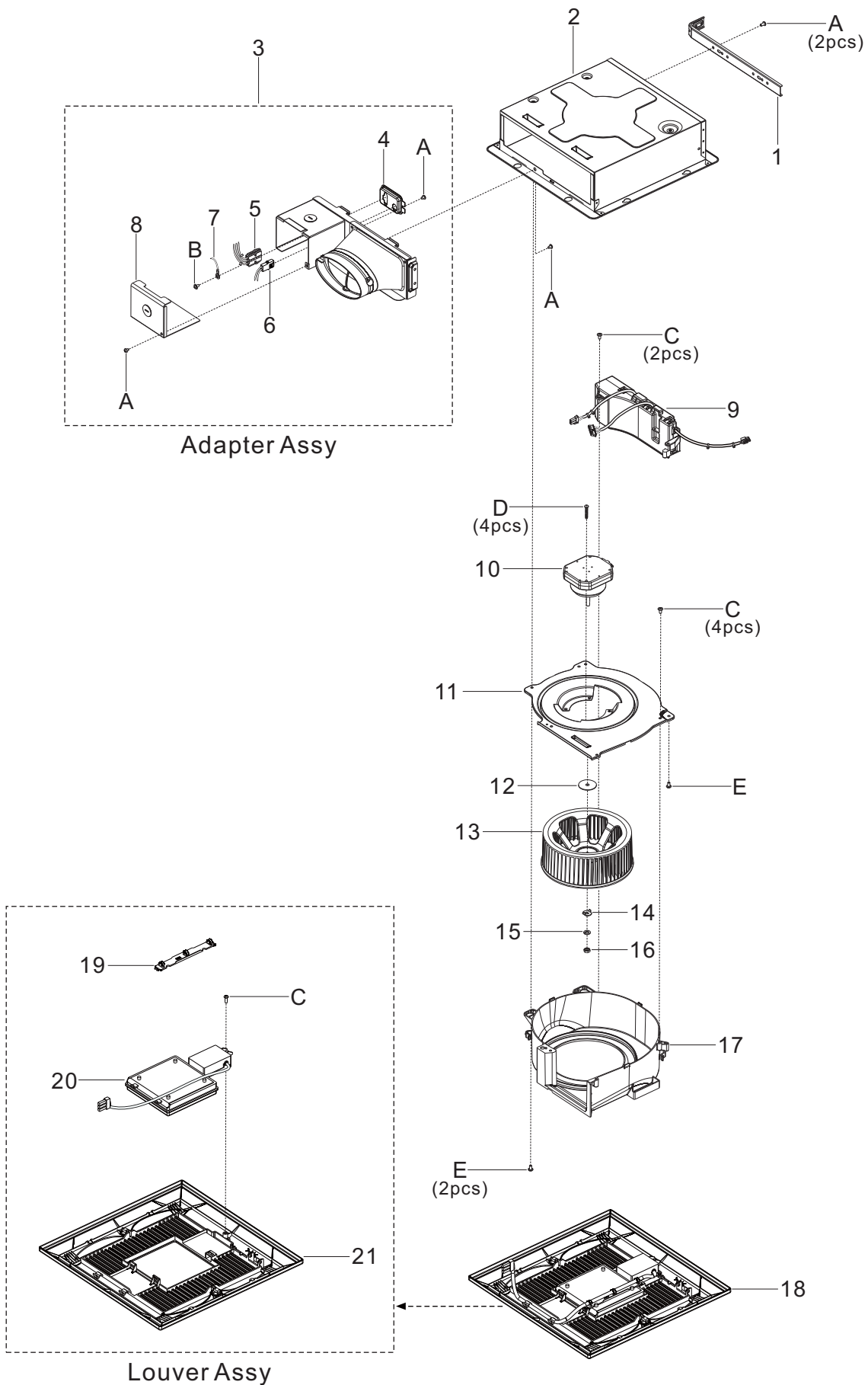
Packing Section



2. Parts Identification

FV-0510VSL1

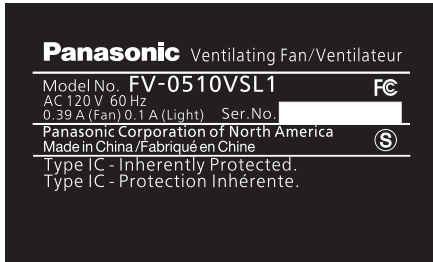
Main Body Section



2. Parts Identification

FV-0510VSL1

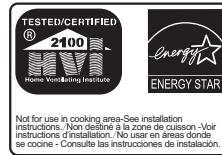
Main Labels



22

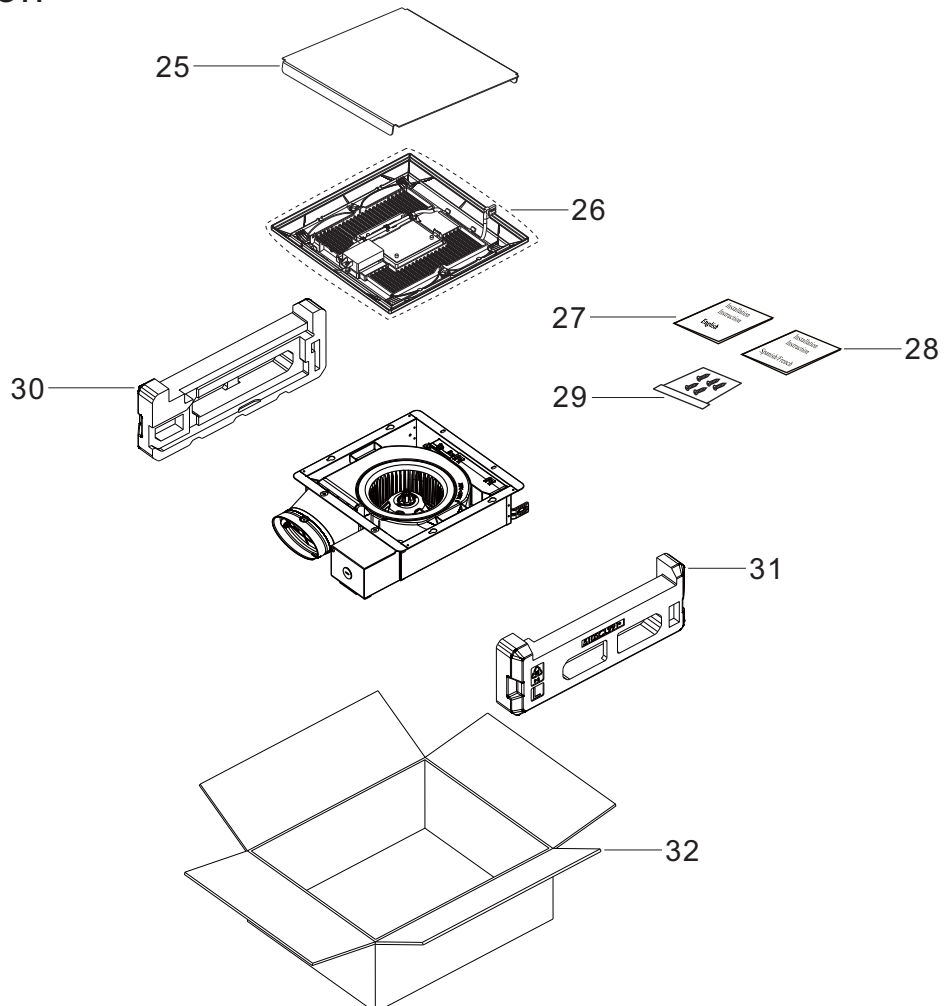


23



24

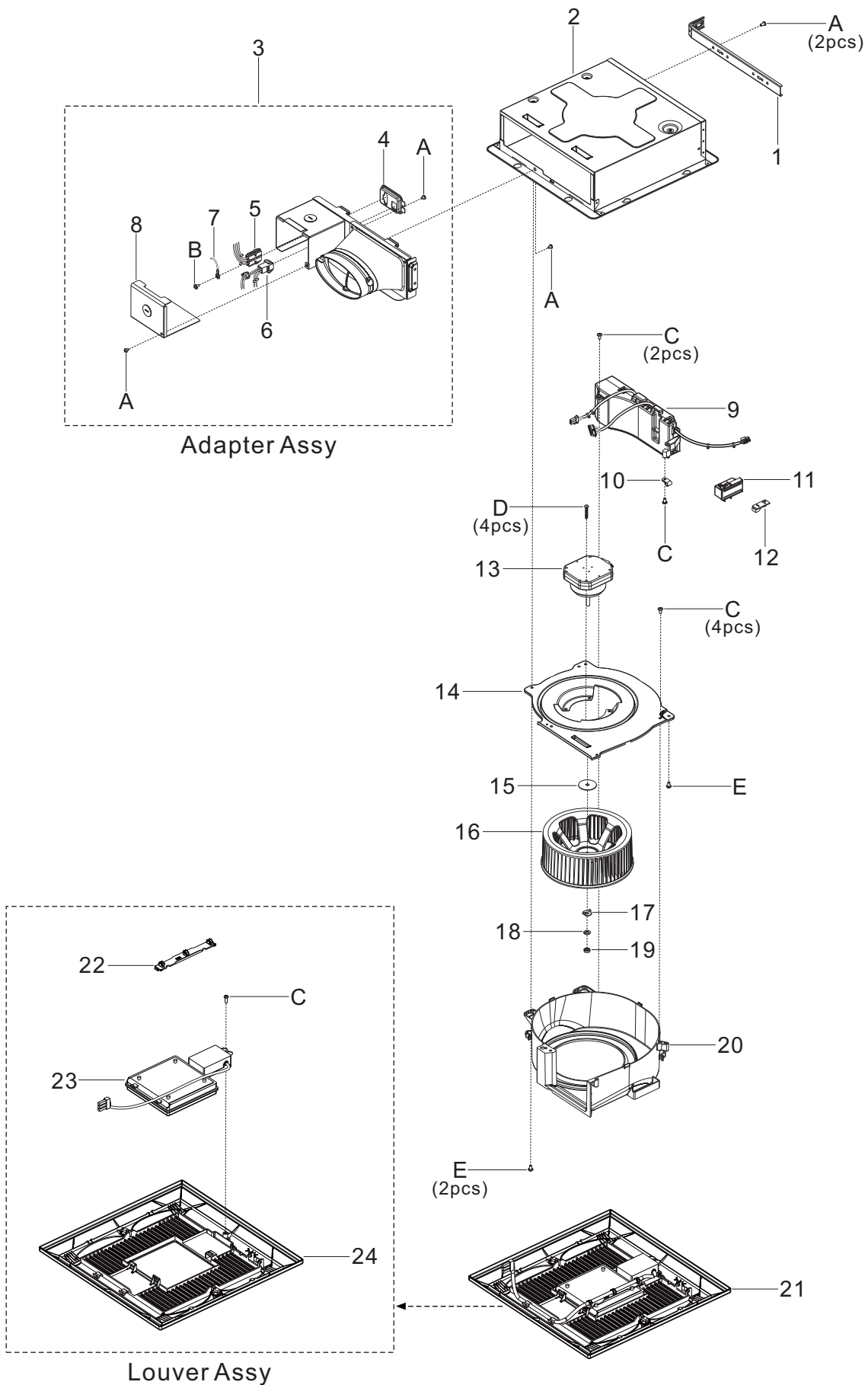
Packing Section



2. Parts Identification

FV-0510VSCL1

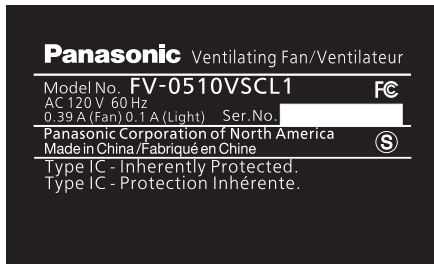
Main Body Section



2. Parts Identification

FV-0510VSCL1

Main Labels



21

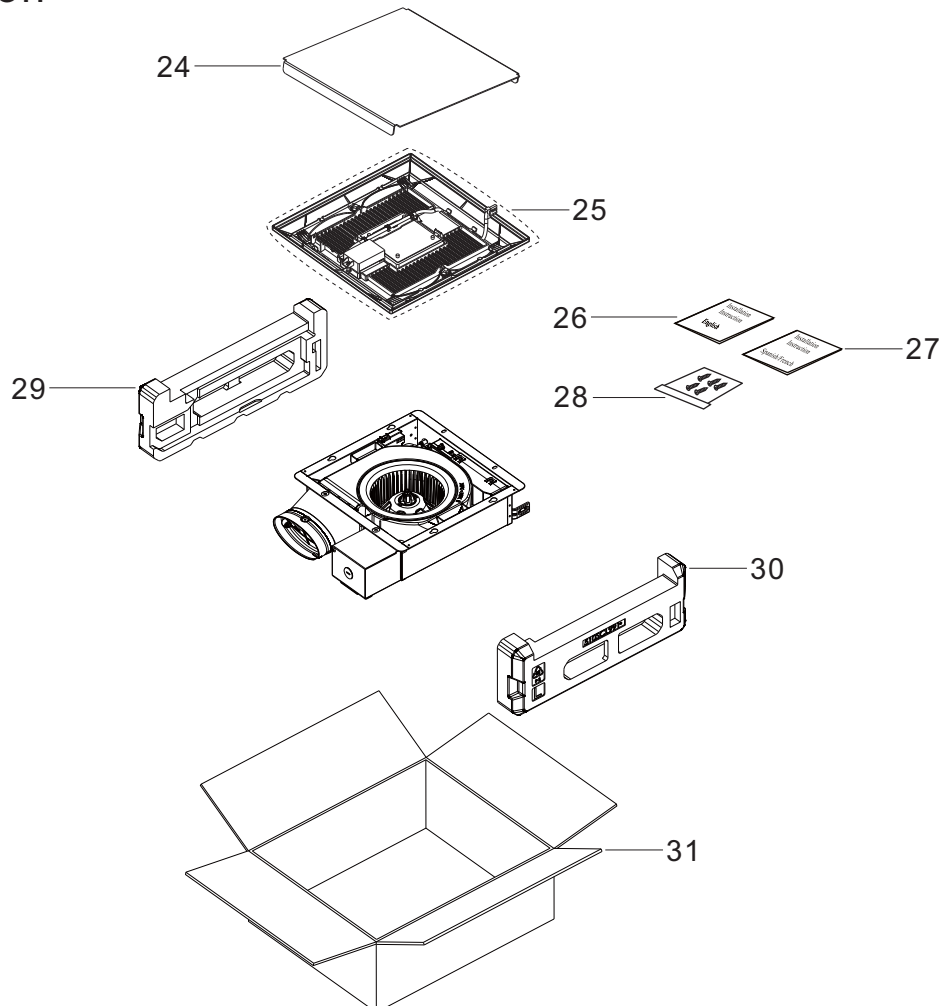


22



23

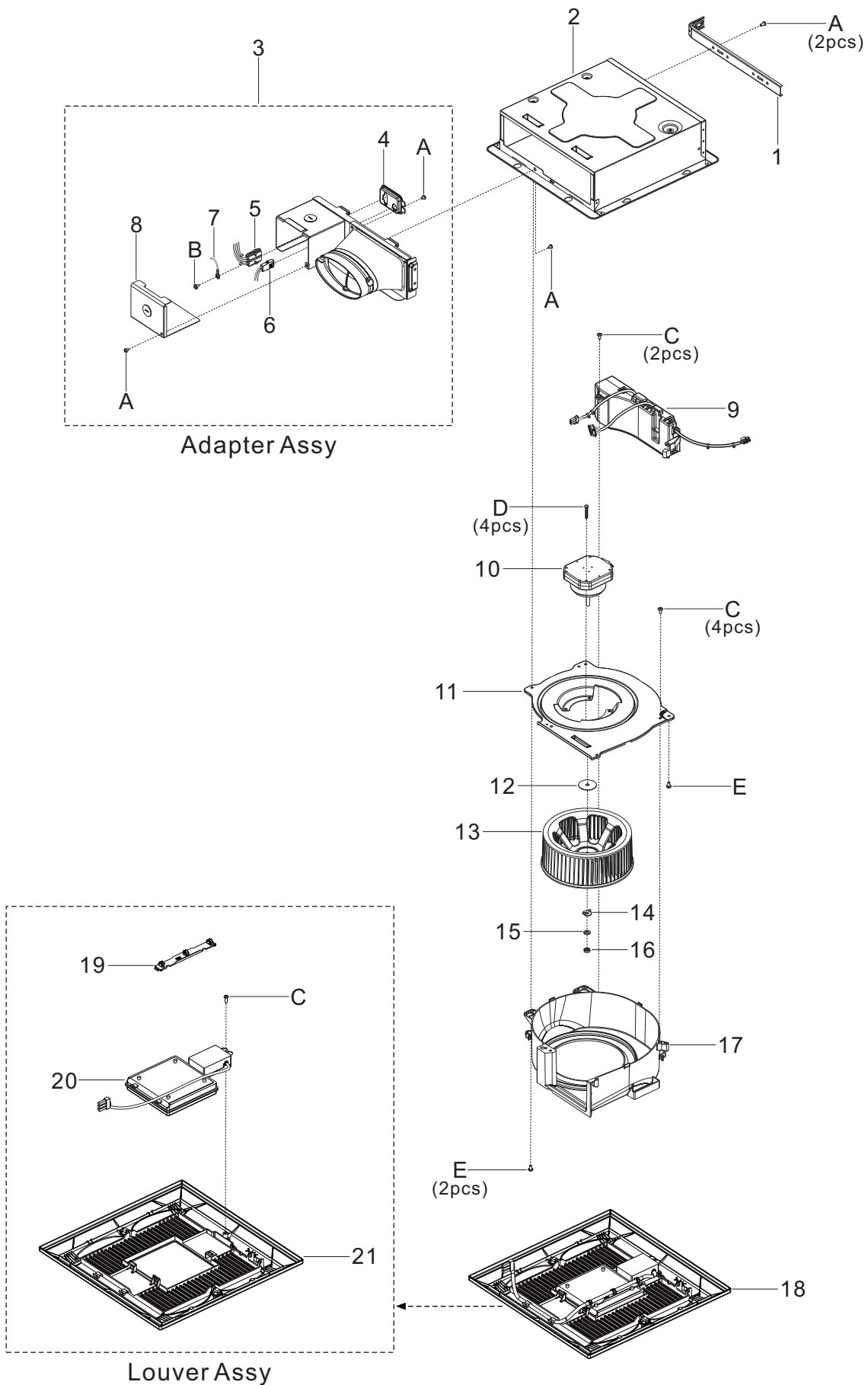
Packing Section



2. Parts Identification

FV-0810VSSL1

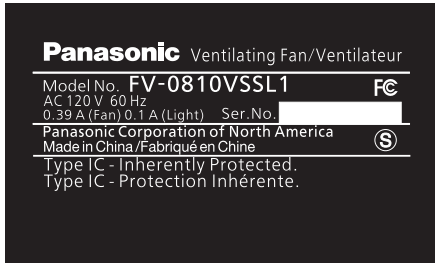
Main Body Section



2. Parts Identification

FV-0810VSSL1

Main Labels



22

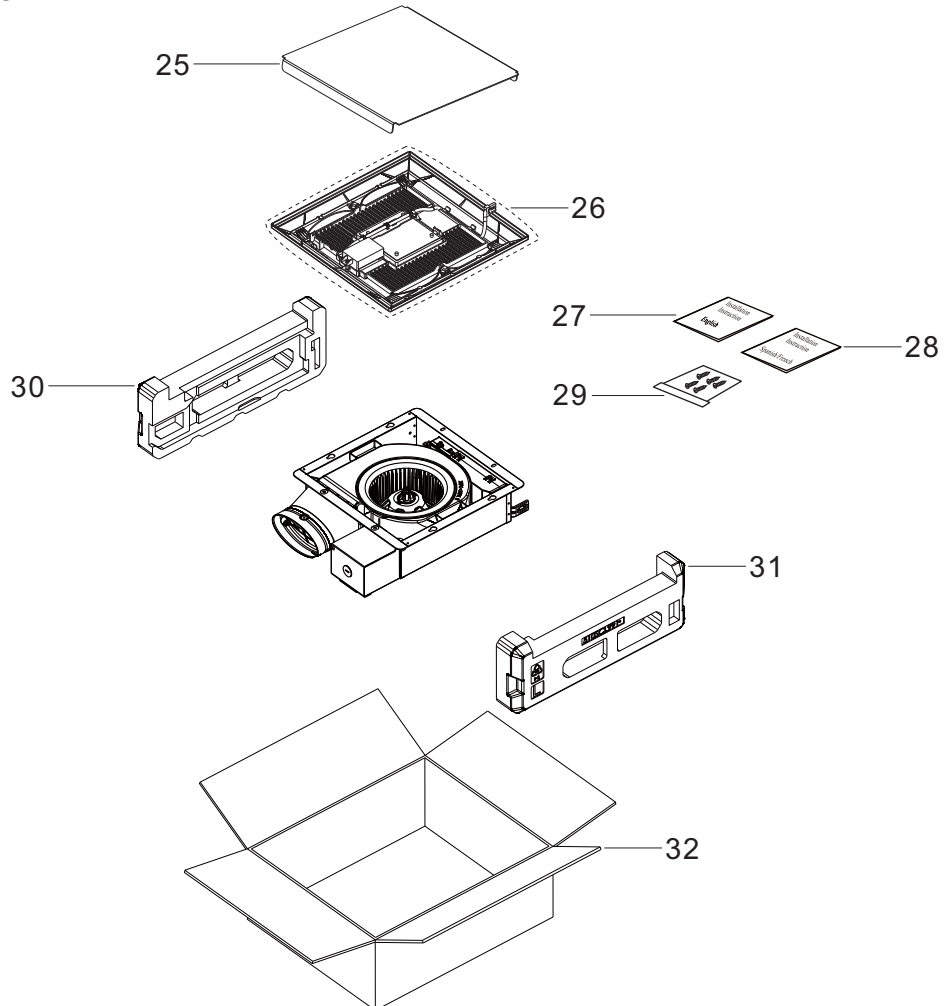


23



24

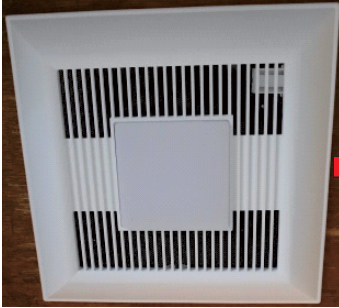
Packing Section



2. Parts Identification

Replace Motor Assy Method (Only for FV-0510VSCL1 reference)

Step 1.



Haul down the louver assy

Step 2.



Remove the louver spring

Step 3.



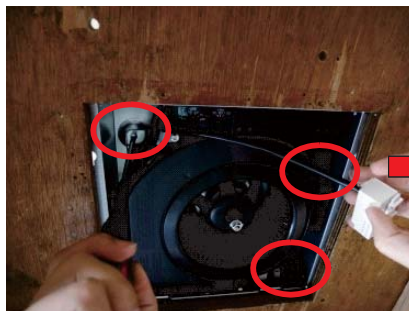
Remove the humidity sensor assy

Step 4.



Unplug led unit connector ,
Then take out the louver assy

Step 5.



Remove 3pcs screws

Step 6.

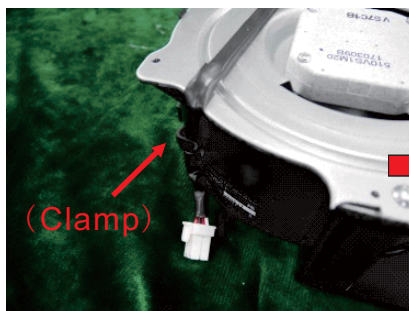


Unplug power lead connector,
Then take out the casing unit
from the frame assy

Step 7.



Step 8.



Pull out the power lead
from casing clamp

Step 9.



Pull out the motor lead
from motor assy

2. Parts Identification

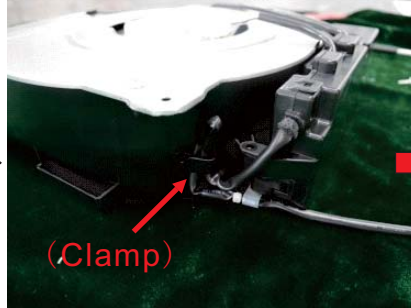
Replace Motor Assy Method (Only for FV-0510VSCL1 reference)

Step 10.



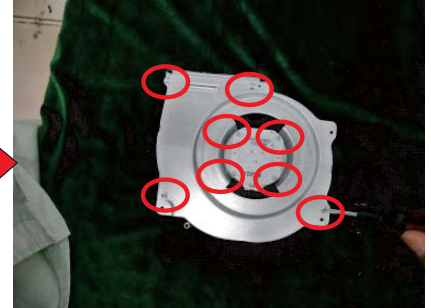
Remove 3pcs screws

Step 11.



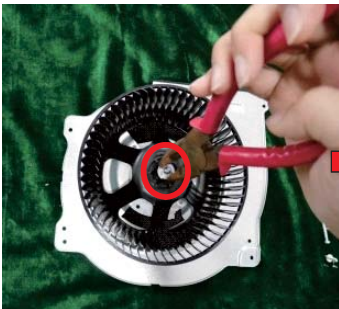
Pull out the humidity sensor lead from casing clamp, Then take out the PCB assy unit form casing unit

Step 12.



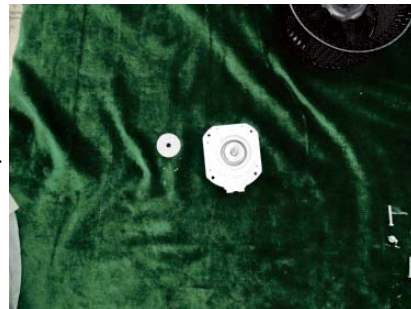
Remove 8pcs screws, Then take out the casing from casing unit

Step 13.



Remove the hexagon nut, Then take out the undee washer, blade fix ring, blade and blade plate

Step 14.



Replace the motor assy

Replace Led Unit Method

Step 1.



Cut the binder

Step 2.



Pull out the Led unit lead from louver assy

Step 3.

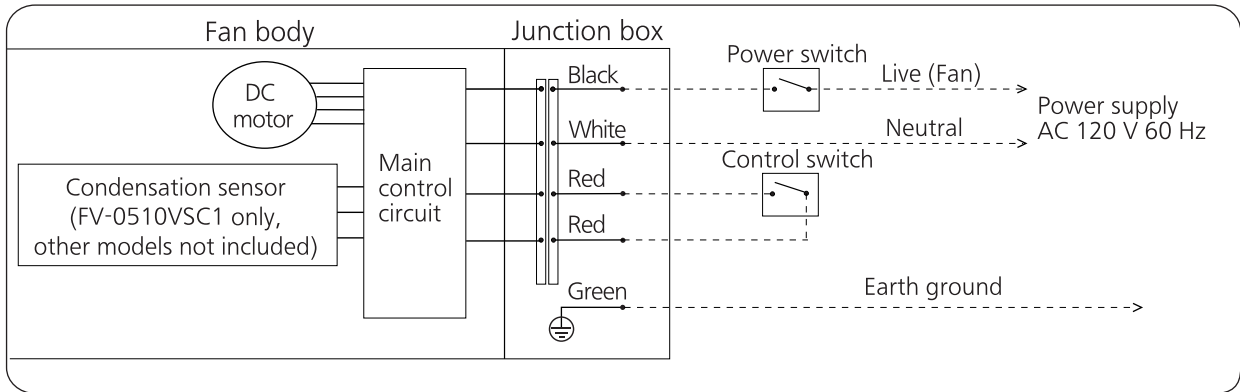


Remove 1pc screw, Then take out the led unit from louver assy

3. Wiring Diagram

FV-0510VSC1

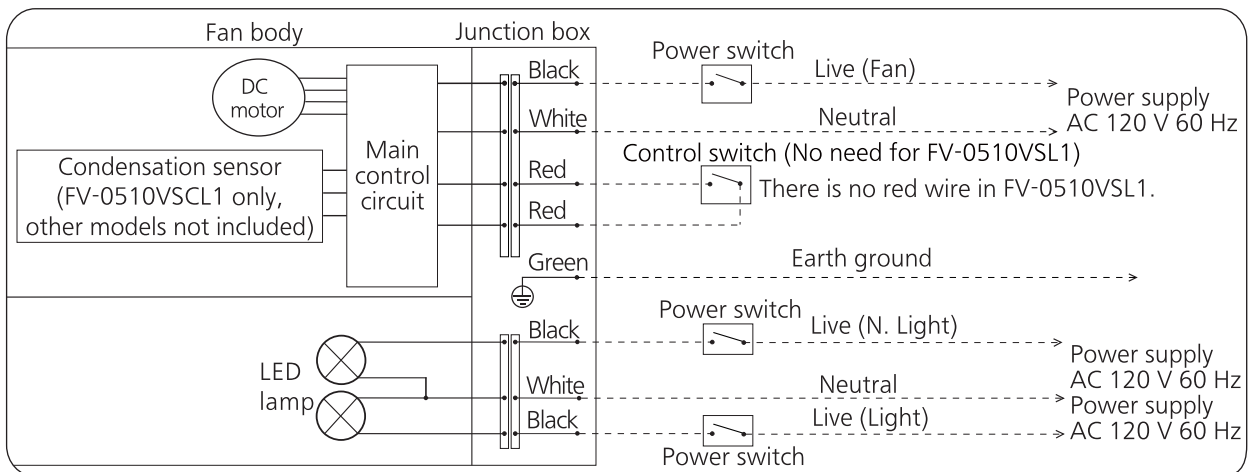
FV-0810VSS1



FV-0510VSL1

FV-0510VSCL1

FV-0810VSSL1



4. Parts List

FFV-0510VSC1

Main Body Section

No.	Part No.	Part Name	Q'ty	Remark
1	FFV5710025S	Suspension Bracket	1	
2	FFV1600159S	Frame Assy	1	
3	FFV0000171S	Adapter Assy	1	⚠
4	FFV0900053S	Connector Plate	1	
5	FFV3450010S	Earth Lead Wire	1	⚠
6	FFV0900073S	Connector Assy (V)	1	⚠
7	FFV2800027S	Junction Cover	1	
8	FFV4700073S	PCB Assy Unit	1	⚠
9	FFV0740026S	Cord Clip	1	
10	FFV0010266S	Humidity Sensor Box	1	
11	FFV0010222S	Humidity Sensor	1	⚠
12	FFV3700347S	Motor Assy	1	⚠
13	FFV3700348S	Motor Support Unit	1	
14	FFV0400127S	Blade Plate	1	
15	FFV0400128S	Blade	1	
16	FFV0400113S	Blade Fix Ring	1	
17	FFV7010058S	Undee Washer	1	
18	FFV7020024S	Hexagon Nut	1	
19	FFV1610080S	Casing Unit	1	
20	FFV3400146S	Louver Assy	1	
A	FFV7000108S	Truss Tap Screw	5	
B	FFV7000227S	Earth Screw Assy	1	Include Spring Washer ⚠
C	FFV7000089S	Truss Tap Screw	7	
D	FFV7000163S	Pan Tap Screw	4	
E	FFV7000202S	Bind Tap Screw	3	

Main Labels

No.	Part No.	Part Name	Q'ty	Remark
21	FFV4020907S	Name Plate	1	Stuck On Casing Unit
22	FFV2260003S	UL Mark	1	Stuck On Frame Assy
23	FFV0810011S	Caution Label 1	1	Stuck On Frame Assy

4. Parts List

FV-0510VSC1

Packing Section

No.	Part No.	Part Name	Q'ty	Remark
24	FFV4710381S	Louver Case Assy	1	
25	FFV4650016S	Poly Cover	1	
26	FFV2540209S	Installation Instructions	1	English,For USA/CA Market
27	FFV2540210S	Installation Instructions	1	Spanish,For USA Market
(27)	FFV2540211S	Installation Instructions	1	French,For CA Market
28	FFV0010267S	Accessory A	1	
29	FFV4710431S	Right Pad	1	
30	FFV4710432S	Left Pad	1	
31	FFV9001333S	Packing Case Assy	1	

4. Parts List

FV-0810VSS1

Main Body Section

No.	Part No.	Part Name	Q'ty	Remark
1	FFV5710025S	Suspension Bracket	1	
2	FFV1600159S	Frame Assy	1	
3	FFV0000171S	Adapter Assy	1	⚠
4	FFV0900053S	Connector Plate	1	
5	FFV3450010S	Earth Lead Wire	1	⚠
6	FFV0900073S	Connector Assy (V)	1	⚠
7	FFV2800027S	Junction Cover	1	
8	FFV4700074S	PCB Assy Unit	1	⚠
9	FFV3700347S	Motor Assy	1	⚠
10	FFV3700348S	Motor Support Unit	1	
11	FFV0400127S	Blade Plate	1	
12	FFV0400128S	Blade	1	
13	FFV0400113S	Blade Fix Ring	1	
14	FFV7010058S	Undee Washer	1	
15	FFV7020024S	Hexagon Nut	1	
16	FFV1610080S	Casing Unit	1	
17	FFV3400146S	Louver Assy	1	
A	FFV7000108S	Truss Tap Screw	5	
B	FFV7000227S	Earth Screw Assy	1	Include Spring Washer ⚠
C	FFV7000089S	Truss Tap Screw	6	
D	FFV7000163S	Pan Tap Screw	4	
E	FFV7000202S	Bind Tap Screw	3	

Main Labels

No.	Part No.	Part Name	Q'ty	Remark
18	FFV4020908S	Name Plate	1	Stuck On Casing Unit
19	FFV2260003S	UL Mark	1	Stuck On Frame Assy
20	FFV0810011S	Caution Label 1	1	Stuck On Frame Assy

4. Parts List

FV-0810VSS1

Packing Section

No.	Part No.	Part Name	Q'ty	Remark
21	FFV4710381S	Louver Case Assy	1	
22	FFV4650016S	Poly Cover	1	
23	FFV2540209S	Installation Instructions	1	English,For USA/CA Market
24	FFV2540210S	Installation Instructions	1	Spanish,For USA Market
(24)	FFV2540211S	Installation Instructions	1	French,For CA Market
25	FFV0010267S	Accessory A	1	
26	FFV4710431S	Right Pad	1	
27	FFV4710432S	Left Pad	1	
28	FFV9001334S	Packing Case Assy	1	

4. Parts List

FV-0510VSL1

Main Body Section

No.	Part No.	Part Name	Q'ty	Remark
1	FFV5710025S	Suspension Bracket	1	
2	FFV1600159S	Frame Assy	1	
3	FFV0000173S	Adapter Assy	1	⚠
4	FFV0900074S	Connector Plate	1	
5	FFV0900069S	Connector Assy (L)	1	⚠
6	FFV0900072S	Connector Assy (V)	1	⚠
7	FFV3450010S	Earth Lead Wire	1	⚠
8	FFV2800027S	Junction Cover	1	
9	FFV4700070S	PCB Assy Unit	1	⚠
10	FFV3700347S	Motor Assy	1	⚠
11	FFV3700348S	Motor Support Unit	1	
12	FFV0400127S	Blade Plate	1	
13	FFV0400128S	Blade	1	
14	FFV0400113S	Blade Fix Ring	1	
15	FFV7010058S	Undee Washer	1	
16	FFV7020024S	Hexagon Nut	1	
17	FFV1610080S	Casing Unit	1	
18	FFV3400147S	Louver Assy	1	⚠
19	FFV2520040S	Insulation Plate	1	
20	FFV3400148S	Led Unit	1	⚠
21	FFV3400149S	Louver Unit	1	
A	FFV7000108S	Truss Tap Screw	5	
B	FFV7000227S	Earth Screw Assy	1	Include Spring Washer ⚠
C	FFV7000089S	Truss Tap Screw	7	
D	FFV7000163S	Pan Tap Screw	4	
E	FFV7000202S	Bind Tap Screw	3	

Main Labels

No.	Part No.	Part Name	Q'ty	Remark
22	FFV4020910S	Name Plate	1	Stuck On Casing Unit
23	FFV2260003S	UL Mark	1	Stuck On Frame Assy
24	FFV0810011S	Caution Label 1	1	Stuck On Frame Assy

4. Parts List

FV-0510VSL1

Packing Section

No.	Part No.	Part Name	Q'ty	Remark
25	FFV4710381S	Louver Case Assy	1	
26	FFV4650016S	Poly Cover	1	
27	FFV2540212S	Installation Instructions	1	English,For USA/CA Market
28	FFV2540213S	Installation Instructions	1	Spanish,For USA Market
(28)	FFV2540214S	Installation Instructions	1	French,For CA Market
29	FFV0010267S	Accessory A	1	
30	FFV4710431S	Right Pad	1	
31	FFV4710432S	Left Pad	1	
32	FFV9001336S	Packing Case Assy	1	

4. Parts List

FV-0510VSCL1

Main Body Section

No.	Part No.	Part Name	Q'ty	Remark
1	FFV5710025S	Suspension Bracket	1	
2	FFV1600159S	Frame Assy	1	
3	FFV0000172S	Adapter Assy	1	⚠
4	FFV0900054S	Connector Plate	1	
5	FFV0900069S	Connector Assy (L)	1	⚠
6	FFV0900073S	Connector Assy (V)	1	⚠
7	FFV3450010S	Earth Lead Wire	1	⚠
8	FFV2800027S	Junction Cover	1	
9	FFV4700073S	PCB Assy Unit	1	⚠
10	FFV0740026S	Cord Clip	1	
11	FFV0010266S	Humidity Sensor Box	1	
12	FFV0010222S	Humidity Sensor	1	⚠
13	FFV3700347S	Motor Assy	1	⚠
14	FFV3700348S	Motor Support Unit	1	
15	FFV0400127S	Blade Plate	1	
16	FFV0400128S	Blade	1	
17	FFV0400113S	Blade Fix Ring	1	
18	FFV7010058S	Undee Washer	1	
19	FFV7020024S	Hexagon Nut	1	
20	FFV1610080S	Casing Unit	1	
21	FFV3400147S	Louver Assy	1	⚠
22	FFV2520040S	Insulation Plate	1	
23	FFV3400148S	Led Unit	1	⚠
24	FFV3400149S	Louver Unit	1	
A	FFV7000108S	Truss Tap Screw	5	
B	FFV7000227S	Earth Screw Assy	1	Include Spring Washer ⚠
C	FFV7000089S	Truss Tap Screw	8	
D	FFV7000163S	Pan Tap Screw	4	
E	FFV7000202S	Bind Tap Screw	3	

Main Labels

No.	Part No.	Part Name	Q'ty	Remark
21	FFV4020909S	Name Plate	1	Stuck On Casing Unit
22	FFV2260003S	UL Mark	1	Stuck On Frame Assy
23	FFV0810011S	Caution Label 1	1	Stuck On Frame Assy

4. Parts List

FV-0510VSCL1

Packing Section

No.	Part No.	Part Name	Q'ty	Remark
24	FFV4710381S	Louver Case Assy	1	
25	FFV4650016S	Poly Cover	1	
26	FFV2540212S	Installation Instructions	1	English,For USA/CA Market
27	FFV2540213S	Installation Instructions	1	Spanish,For USA Market
(27)	FFV2540214S	Installation Instructions	1	French,For CA Market
28	FFV0010267S	Accessory A	1	
29	FFV4710431S	Right Pad	1	
30	FFV4710432S	Left Pad	1	
31	FFV9001335S	Packing Case Assy	1	

4. Parts List

— FV-0810VSSL1 —

Main Body Section

No.	Part No.	Part Name	Q'ty	Remark
1	FFV5710025S	Suspension Bracket	1	
2	FFV1600159S	Frame Assy	1	
3	FFV0000171S	Adapter Assy	1	⚠
4	FFV0900054S	Connector Plate	1	
5	FFV0900069S	Connector Assy (L)	1	⚠
6	FFV0900073S	Connector Assy (V)	1	⚠
7	FFV3450010S	Earth Lead Wire	1	⚠
8	FFV2800027S	Junction Cover	1	
9	FFV4700074S	PCB Assy Unit	1	⚠
10	FFV3700347S	Motor Assy	1	⚠
11	FFV3700348S	Motor Support Unit	1	
12	FFV0400127S	Blade Plate	1	
13	FFV0400128S	Blade	1	
14	FFV0400113S	Blade Fix Ring	1	
15	FFV7010058S	Undee Washer	1	
16	FFV7020024S	Hexagon Nut	1	
17	FFV1610080S	Casing Unit	1	
18	FFV3400147S	Louver Assy	1	⚠
19	FFV2520040S	Insulation Plate	1	
20	FFV3400148S	Led Unit	1	⚠
21	FFV3400149S	Louver Unit	1	
A	FFV7000108S	Truss Tap Screw	5	
B	FFV7000227S	Earth Screw Assy	1	Include Spring Washer ⚠
C	FFV7000089S	Truss Tap Screw	7	
D	FFV7000163S	Pan Tap Screw	4	
E	FFV7000202S	Bind Tap Screw	3	

Main Labels

No.	Part No.	Part Name	Q'ty	Remark
22	FFV4020911S	Name Plate	1	Stuck On Casing Unit
23	FFV2260003S	UL Mark	1	Stuck On Frame Assy
24	FFV0810011S	Caution Label 1	1	Stuck On Frame Assy

4. Parts List

FV-0810VSSL1

Packing Section

No.	Part No.	Part Name	Q'ty	Remark
25	FFV4710381S	Louver Case Assy	1	
26	FFV4650016S	Poly Cover	1	
27	FFV2540212S	Installation Instructions	1	English,For USA/CA Market
28	FFV2540213S	Installation Instructions	1	Spanish,For USA Market
(28)	FFV2540214S	Installation Instructions	1	French,For CA Market
29	FFV0010267S	Accessory A	1	
30	FFV4710431S	Right Pad	1	
31	FFV4710432S	Left Pad	1	
32	FFV9001337S	Packing Case Assy	1	