

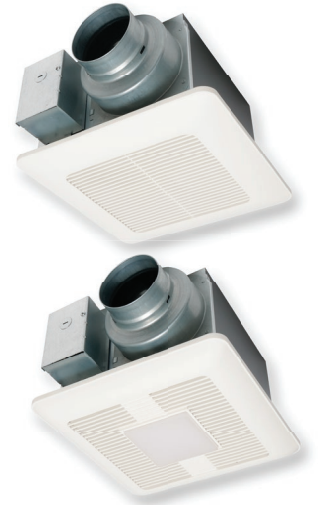
WhisperCeiling® DC™ Ventilation Fans and Fan/Lights



WhisperCeiling® DC™ VENTILATION FAN

Fan Only Models: FV-0511VQ1, FV-1115VQ1

Fan/Light Models: FV-0511VQL1, FV-1115VQL1



HEALTHY AIR, HEALTHY HOME

True Flow ratings at **0.375"** static pressure provide powerful airflow to assure code compliant, healthy homes.*

- Precision spot ventilation fans ideal for use in the bathroom, laundry room, sun room, basement or garage
- Revolutionary ECM motor with SmartFlow™ technology for optimum CFM output
- Pick-A-Flow Airflow Selector (50-80-110 or 110-130-150 CFM models) combined with SmartFlow™ Technology simplifies the selection process and ensures optimum performance to meet code and reduce callbacks
- Single-hinged Flex-Z Fast™ bracket provides flexible, fast and easy installation, even from below the ceiling
- Lighted models incorporate one 10W dimmable LED chip panel with <1W LED night light for warm, long-life energy efficient illumination (night light must be wired separately)
- Elegant grille design compliments the aesthetics of any room
- Can be used to comply with ASHRAE 62.2, LEED, ENERGY STAR® IAP, EarthCraft, CA Title 24 and WA state code

ADDITIONAL BENEFITS

- Integrated 4" or 6" dual duct adapter enhances installation options
- UL listed for tub/shower enclosure when GFCI protected
- Built-in metal flange provides blocking for penetrations through drywall as an Air Barrier, and assists with the decrease in leakage in the Building Envelope during blower door testing
- Built-in damper reduces back drafting and helps with blower door testing
- UL listed for use with the Panasonic Ceiling Radiation Damper (model # PC-RD05C5)
- Warranty: 6 years ECM Motor, 5 years LED, 3 years all other parts

* Industry research indicates static pressure in typical installations ranges from 0.20" to 0.375".





LED Lighting

WhisperCeiling® DC™ fan/light models feature a contemporary flush mount grille that incorporates one long life 10W Dimmable LED chip panel with <1W LED night light for warm, long-life energy efficient illumination. Panel specifications include: 3000 Kelvin Warm White/90CRI/700 lumens/70 LPW/ENERGY STAR 2.0 certified/JA-8 compliant for CA Title 24/ 50,000 hours rated average.

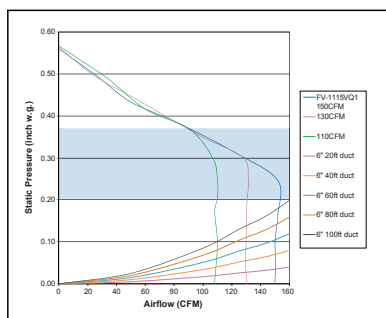


Industry research indicates static pressure in typical installations ranges from 0.20" to 0.375".



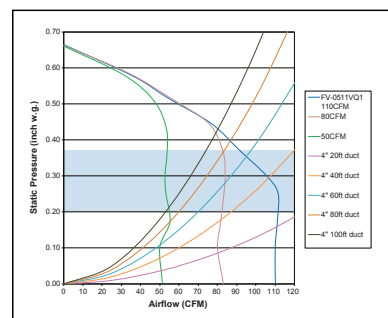
FV-1115VQ1

FV-1115VQ1



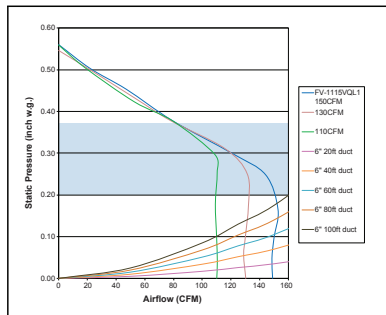
FV-0511VQ1

FV-0511VQ1



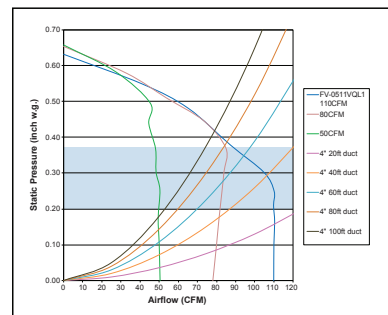
FV-1115VQL1

FV-1115VQL1

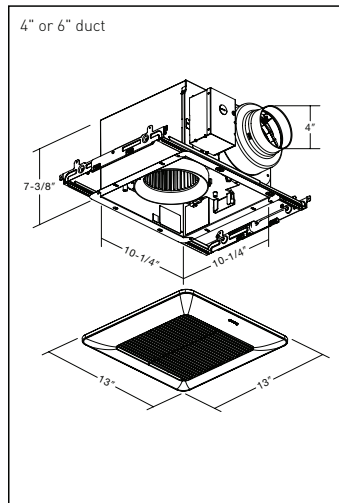


FV-0511VQL1

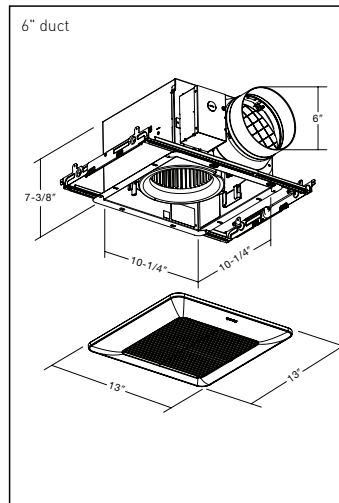
FV-0511VQL1



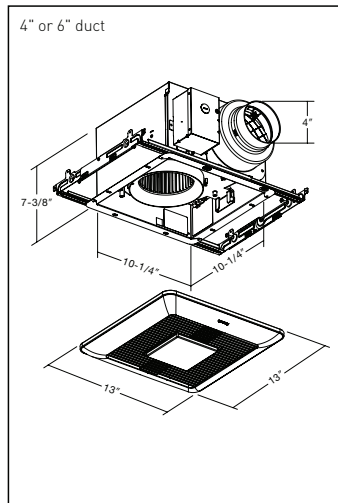
FV-0511VQ1



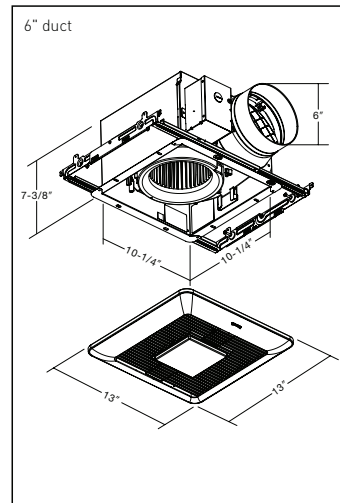
FV-1115VQ1



FV-0511VQL1



FV-1115VQL1





Panasonic Life Solutions Company of America
IAQ Division
Two Riverfront Plaza
Newark, NJ 07102
us.panasonic.com/ventfans

For Order Information
PHONE: 866-292-7299
FAX: 888-553-0723
ventfans@us.panasonic.com