

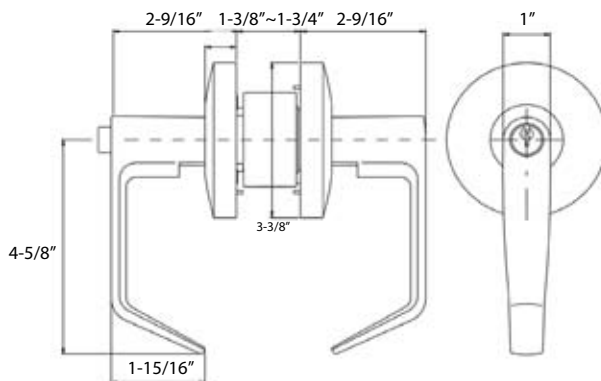
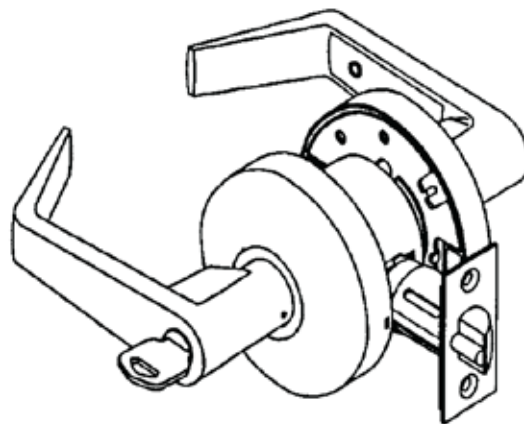


Princeton Series

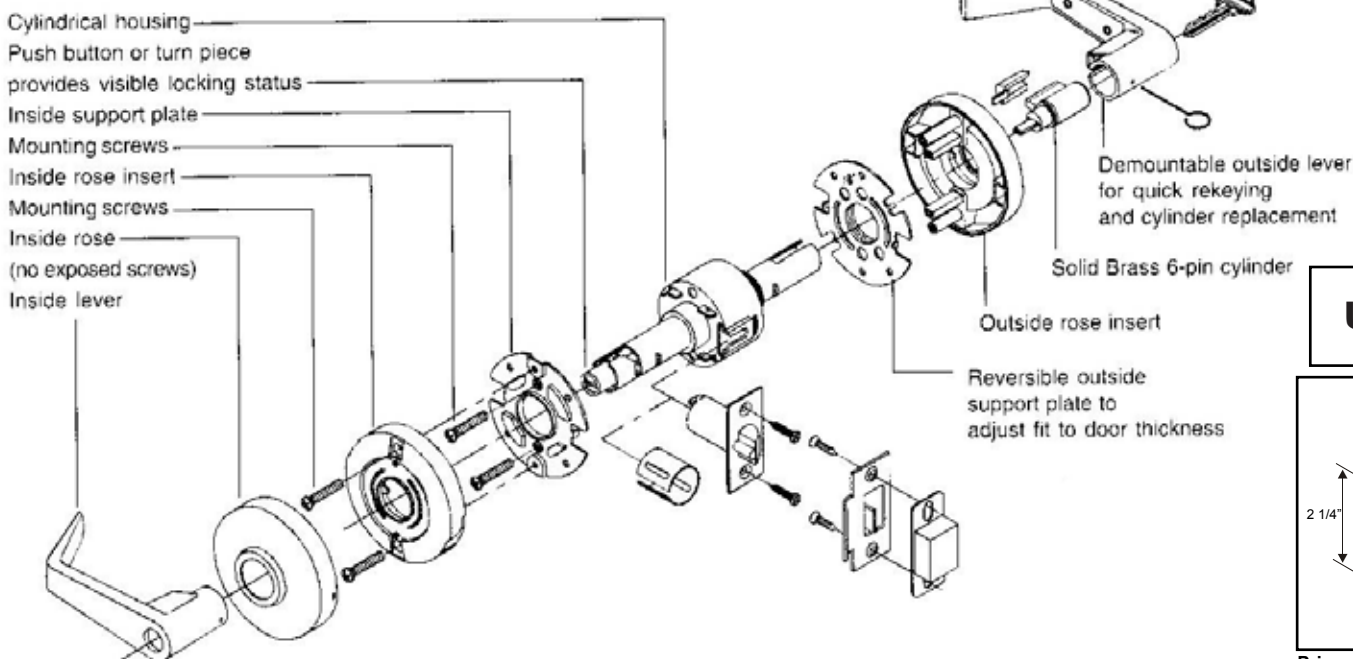
Specifications	
Door Prep.	Cross Bore: 2-1/8", Edge Bore:1"
Latch Backset	Exterior: 2-3/4" UL square corner deadlatch standard. Interior:2-3/4" UL square corner plainlatch standard.
Door Thickness	1-3/8" to 1-13/16" standard.
Cylinder	6-pin SC "C" keyway solid brass cylinder standard. 5-pin KW keyway available.
Faceplate	1-1/8x2-1/4" square corner standard.
Strike Plate	2-3/4x1-1/8" square corner T-strike standard.
Handing	Reversible for left or right hand doors.
Bolt	1/2" throw.
ANS/BHMA	A 156.2 series 4000 Grade 2

Function	Description
Entry	Turn/Push button locking: PUSHING button locks outside knob until unlock with key or inside lever is turned. PUSHING and TURNING inside button locks outside lever requiring use of key to open until button is manually unlocked. Inside always free.
Privacy	Outside knobs/levers locked by pushing inside pushbutton and unlocked by a coin or screwdriver outside. Closing door does release pushbutton. Inside always free.
Passage/ Hall & Closet	Both knobs/levers always free.
Half Dummy	Single dummy trim for pull only.
Storeroom	Outside knobs/levers always fixed and unlocked by key only. Inside always free.
Classroom	Outside knobs/levers locked or unlocked by key. Inside always free.
Entry w/ Clutch Mechanism	Outside lever is free turning when in locked position.
Storeroom w/ Clutch Mechanism	Outside lever is free turning when in locked position.

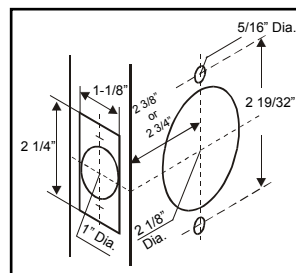
*Finish Availability - US 3, 5, 10B, 26D



Function	Length (A)	Length (B)
Entry	2-9/16"	2-9/16"
Privacy	2-9/16"	2-9/16"
Passage	2-9/16"	2-9/16"



UL Listed



Princeton series door preparation



4680 Vinita Court, Chino, CA 91710

Tel: 1.800.621.6869

Fax: 1.800.838.8307

www.pamexinc.com

sales@pamexinc.com