

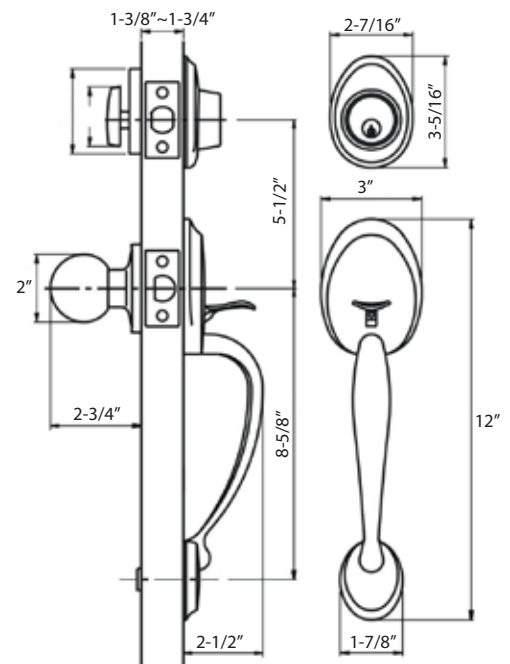
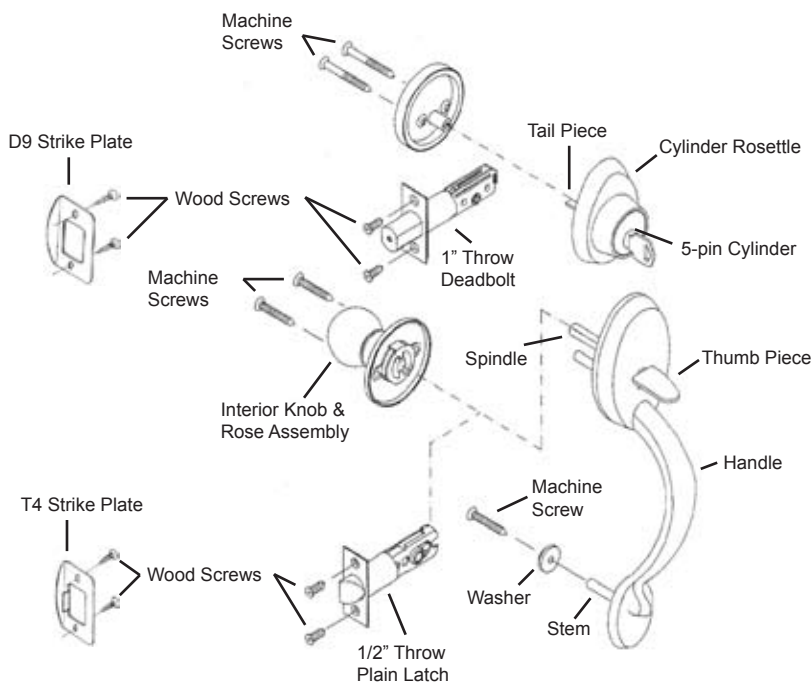
Specifications		
Door Prep.	Deadbolt Handle	Cross Bore: 2-1/8", Edge: 1" Cross Bore: 2-1/8", Edge: 1"
Latch Backset	Deadbolt Handle	2-3/8" round corner deadbolt standard. 2-3/8" round corner plainlatch standard.
Door Thickness	Single Cylinder Double Cylinder	1-3/8" to 1-3/4" standard. 1-3/8" to 1-3/4" standard.
Cylinder		5-pin "KW" keyway solid brass cylinder.
Faceplate		1x2-1/4" round corner standard.
Strike Plate	Deadbolt Handle	2-1/4x1-3/4" full lip round corner standard. 2-1/4x1-3/4" full lip round corner standard.
Handing		Specify handing when order Savannah, Newberry, Viano, Naple, Classic, and Eternity as interior trim.
Bolt	Deadbolt Handle	1" throw 1/2" throw
ANS/BHMA		A 156.2 Grade 3

Function	Description
Single Cylinder Handleset	Deadbolt is operated by key from outside and turnpiece inside. Latchbolt is operated by thumbpiece outside and grip inside
Double Cylinder Handleset	Deadbolt is operated by key on both sides. Latchbolt is operated by thumbpiece outside and grip inside
Dummy Handleset	Handle and grip act as pull only. No operation.

\*Finish Availability - US 3, 5, 10B, 11P, 15, 15A, 19, 26, L03

\*Lexington series include the Saturn interior trim as standard packing, other interior trim available upon request.

# Lexington Series



\*Above Line Drawing Is Single Cylinder Handleset