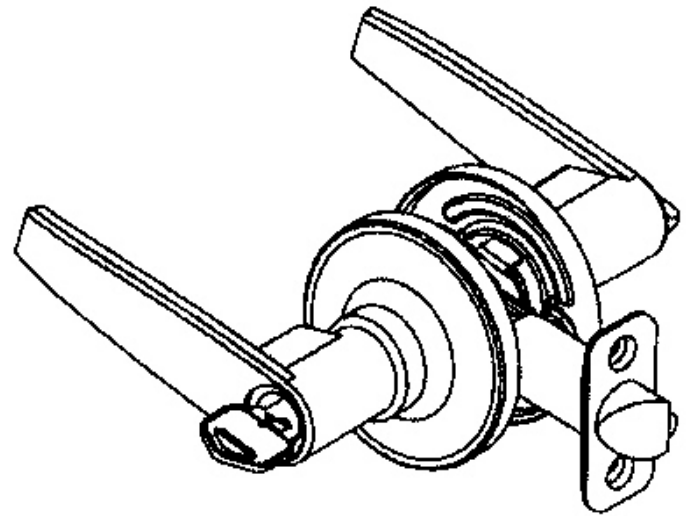




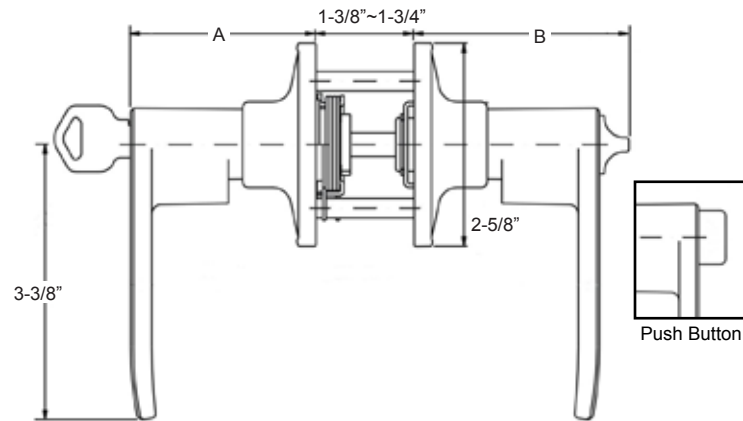
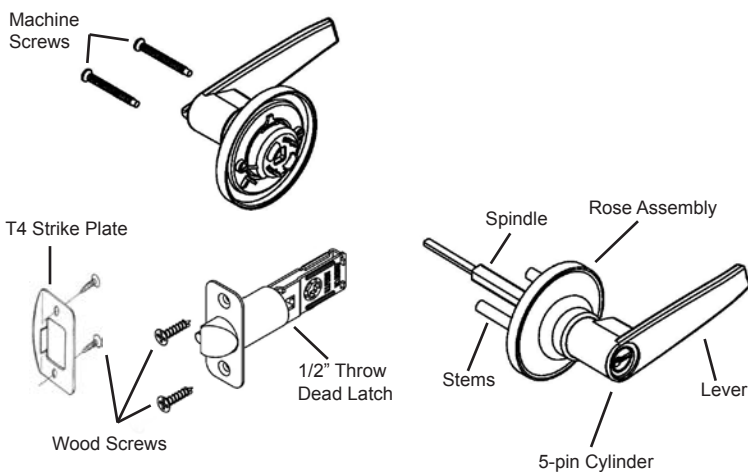
| Specifications | |
|----------------|---|
| Door Prep. | Cross Bore: 2-1/8", Edge: 1" |
| Latch Backset | Exterior: 2-3/8" round corner deadlatch standard on all exterior function levers. Interior: 2-3/8" round corner plainlatch standard on all interior function levers. |
| Door Thickness | 1-3/8" to 1-3/4" standard. |
| Cylinder | 5-pin "KW" keyway solid brass cylinder. |
| Faceplate | 1x2-1/4" round corner standard. |
| Strike Plate | 2-1/4x1-3/4" full lip round corner standard. |
| Handing | Specify right or left door handed |
| Bolt | 1/2" throw for all function |
| ANS/BHMA | A 156.2 Grade 3 |
| Material | Zinc die-cast lever. |

Olympic Series



| Function | Description |
|----------------------------------|---|
| Entry | Both levers locked or unlocked by key outside or turnpiece inside. |
| Privacy | Both levers locked or unlocked by turnpiece inside. Outside knob unlocked by coin or screwdriver. |
| Bathroom-Split Finish | Same function as privacy above. Inside lever polished chrome. |
| Passage/Hall & Closet | Both levers always free |
| Half Dummy Trim, Surface Mounted | For doors where only pull is required. |
| Entry/ADA | Both levers locked or unlocked by key outside or turnpiece(07) / push button(07C) inside. |
| Privacy/ADA | Both knobs locked or unlocked by turnpiece(08) / push button(08C) inside. Outside knob unlocked by coin or screwdriver. |

*Finish Availability - US 3, 5, 26, 32D/15



*Above Line Drawing Is Entry Function Leverset

| Function | Length (A) | Length (B) |
|-------------------------|------------|------------|
| Entry | 2-7/16" | 2-13/16" |
| Privacy | 2" | 2-3/8" |
| Passage | 2" | 2" |
| ADA-Turnpiece | 2-7/16" | 2-13/16" |
| ADA-Push Button-Entry | 2-7/16" | 2-13/16" |
| ADA-Push Button-Privacy | 2-1/8" | 2-9/16" |