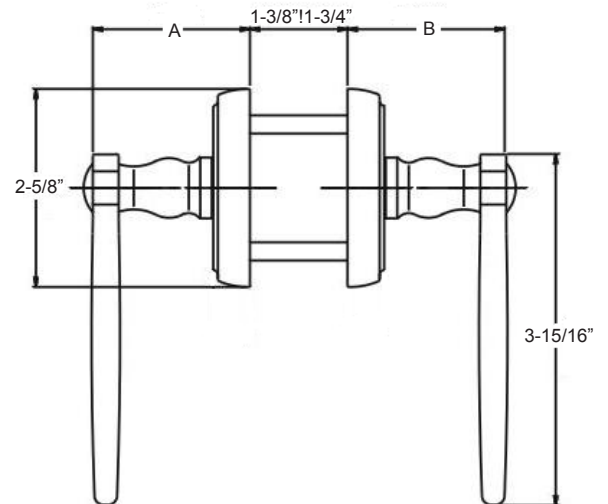
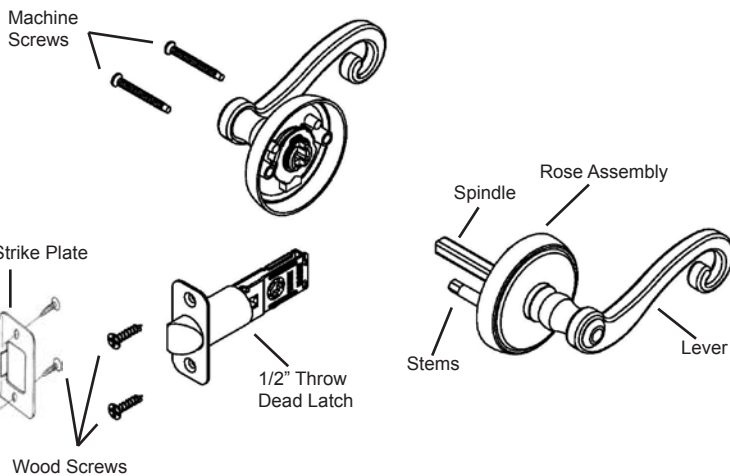
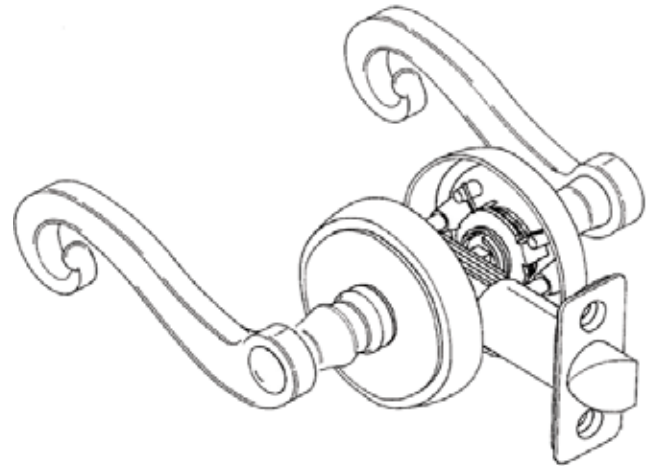


| Specifications |   |
|----------------|---|
| Door Prep.     | Cross Bore: 2-1/8", Edge: 1"  |
| Latch Backset  | Exterior: 2-3/8" round corner deadlatch standard on all exterior function levers.<br>Interior: 2-3/8" round corner plainlatch standard on all interior function levers. |
| Door Thickness | Fits 1-3/8" to 1-3/4" standard.   |
| Faceplate      | 1x2-1/4" round corner standard.   |
| Strike Plate   | 2-1/4x1-3/4" full lip round corner standard.  |
| Handing        | Specify right or left door handed   |
| Bolt           | 1/2" throw for all function   |
| ANS/BHMA       | A 156.2 Grade 3   |
| Material       | Zinc die-cast lever.  |

| Function                         | Description  |
|----------------------------------|--|
| Privacy                          | Both levers locked or unlocked by turnpiece inside.<br>Outside knob unlocked by coin or screwdriver. |
| Passage/Hall & Closet            | Both levers always free  |
| Half Dummy Trim, Surface Mounted | For doors where only pull is required.   |

\*Finish Availability - US 3

# Eternity Series



\*Above Line Drawing Is Passage Function Leverset

| Function | Length (A) | Length (B) |
|----------|------------|------------|
| Privacy  | 2-3/16"    | 2-3/16"    |
| Passage  | 2-3/16"    | 2-3/16"    |