

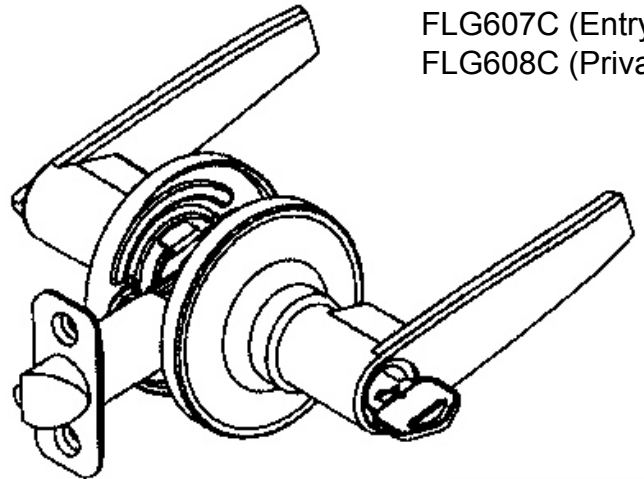


Specifications	
Door Prep.	Cross Bore: 2-1/8", Edge: 1"
Latch Backset	Exterior: 2-3/8" round corner deadlatch standard on all exterior function levers. Interior: 2-3/8" round corner plainlatch standard on all interior function levers.
Door Thickness	1-3/8" to 1-3/4" standard.
Cylinder	5-pin "KW" keyway solid brass cylinder.
Faceplate	1x2-1/4" round corner standard.
Strike Plate	2-1/4x1-3/4" full lip round corner standard.
Handing	Specify right or left door handed
Bolt	1/2" throw for all function
ANS/BHMA	A 156.2 Grade 3
Material	Zinc die-cast lever.

Olympic

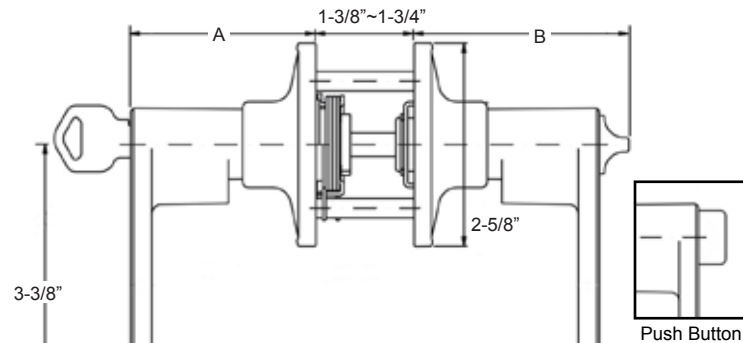
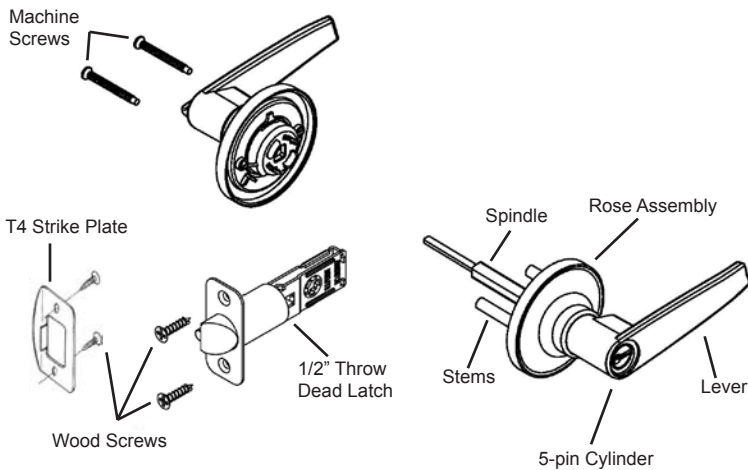
Series w/ Push Button

Model #
 FLG607C (Entry)
 FLG608C (Privacy)



Function	Description
Entry	Both levers locked or unlocked by key outside or turnpiece inside.
Privacy	Both levers locked or unlocked by turnpiece inside. Outside knob unlocked by coin or screwdriver.
Bathroom-Split Finish	Same function as privacy above. Inside lever polished chrome.
Passage/Hall & Closet	Both levers always free
Half Dummy Trim, Surface Mounted	For doors where only pull is required.
Entry/ADA	Both levers locked or unlocked by key outside or turnpiece(07) / push button(07C) inside.
Privacy/ADA	Both knobs locked or unlocked by turnpiece(08) / push button(08C) inside. Outside knob unlocked by coin or screwdriver.

*Finish Availability - US 3, 5, 26, 32D/15



*Above Line Drawing Is Entry Function Leverset

Function	Length (A)	Length (B)
Entry	2-7/16"	2-13/16"
Privacy	2"	2-3/8"
Passage	2"	2"
ADA-Turnpiece	2-7/16"	2-13/16"
ADA-Push Button-Entry	2-7/16"	2-13/16"
ADA-Push Button-Privacy	2-1/8"	2-9/16"