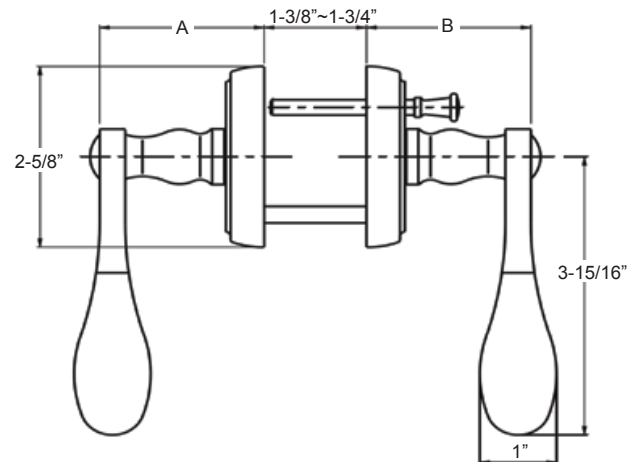
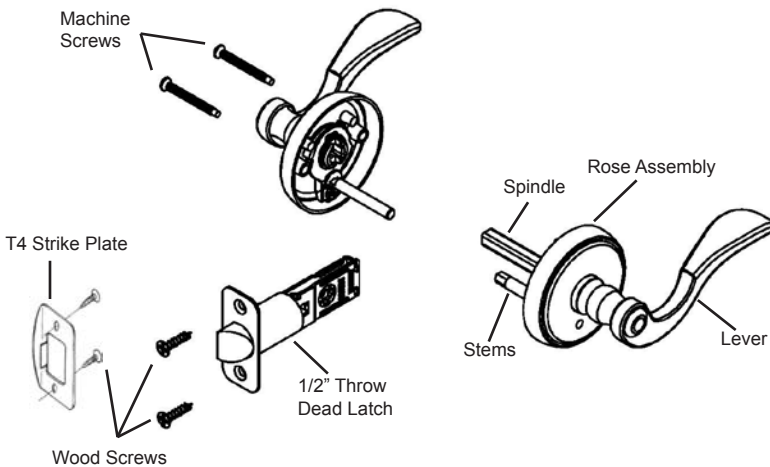
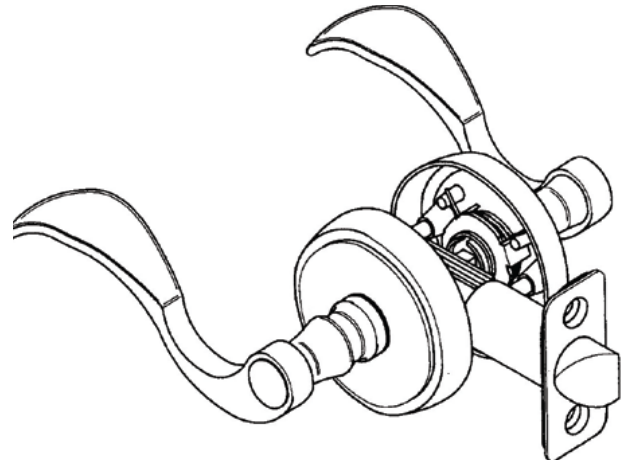


Specifications	
Door Prep.	Cross Bore: 2-1/8", Edge: 1"
Latch Backset	Exterior: 2-3/8" round corner deadlatch standard on all exterior function levers. Interior: 2-3/8" round corner plainlatch standard on all interior function levers.
Door Thickness	Fits 1-3/8" to 1-3/4" standard.
Faceplate	1x2-1/4" round corner standard.
Strike Plate	2-1/4x1-3/4" full lip round corner standard.
Handing	Specify right or left door handed
Bolt	1/2" throw for all function
ANS/BHMA	A 156.2 Grade 3
Material	Zinc die-cast lever.

Function	Description
Privacy	Both levers locked or unlocked by turnpiece inside. Outside knob unlocked by coin or screwdriver.
Passage/Hall & Closet	Both levers always free
Half Dummy Trim, Surface Mounted	For doors where only pull is required.

*Finish Availability - US 3, 5, 15A

Classic Series



*Above Line Drawing Is Privacy Function Leverset

Function	Length (A)	Length (B)
Privacy	2-3/16"	2-3/16"
Passage	2-3/16"	2-3/16"