

**EDGE OF DOOR**

Per exit device instructions

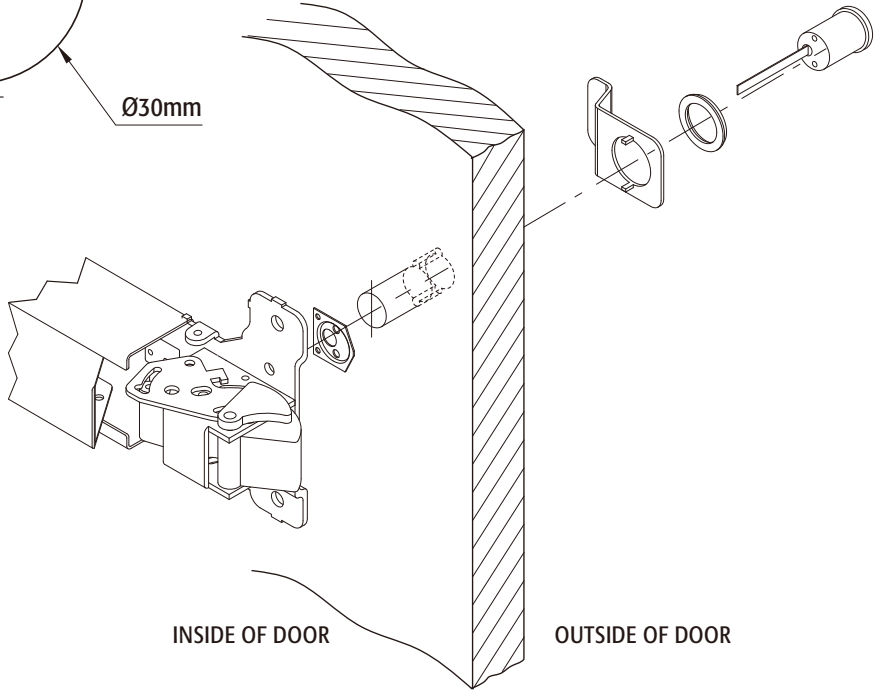
Please refer to the exit panic device to determine the position of center of cylinder

2- $\varnothing$ 4.7 x depth 9.5mm

33.5mm

$\varnothing$ 30mm

1. Drill a  $\varnothing$ 30 diameter hole for cylinder installation on the door.
2. Drill the 2- $\varnothing$ 4.7x9.5mm depth holes for the pull plate on the door.
3. Make sure the operations of cylinder and exit device are no problem.



INSIDE OF DOOR

OUTSIDE OF DOOR