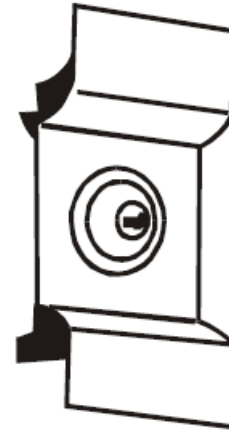


Model #	Function
E8000/NLS	Double Pull and Rim Cylinder

Specifications	
Door Prep.	Cross Bore: 1-9/16", Edge: 1"
Door Thickness	Fits 1-3/8" to 1-3/4" door
Cylinders	6-pin "C" keyway standard 5-pin KW keyway available
Handing	Non Handed
ANSI/BHMA	A156.2 Grade 2
Material	Zinc Die-Cast

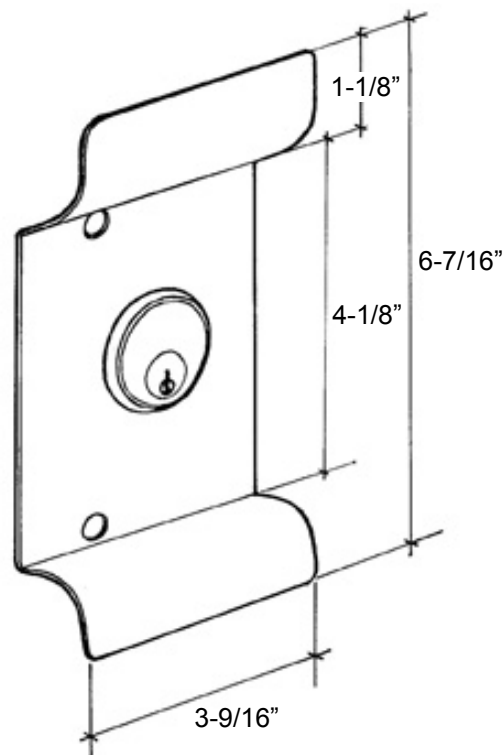
E8000

Double Pull & Rim Cylinder



Finish Availability:

- AL: Aluminum (Painted)
- DB: Dark Bronze (Painted)
- PB: Polished Brass (Painted)



UL Listed