

front

back

OUTSIDE TRIM INSTALLATION:

1. Determine the handing of the door and select the matching template below.
2. $\text{\O}1-7/8$ " hole on outside of door will only need to be drilled for the classroom function.

RHR

LHR

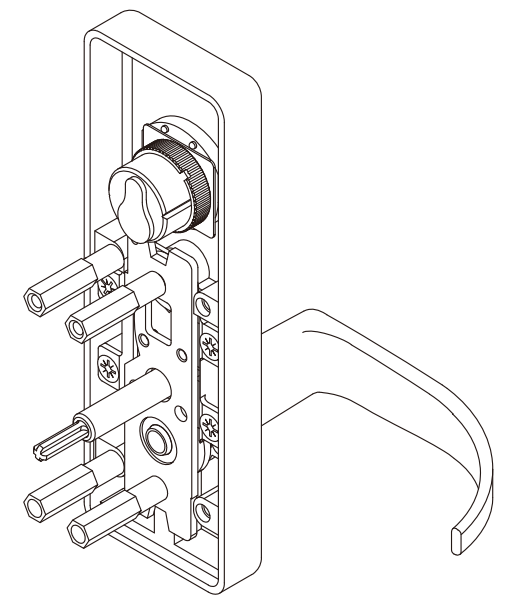
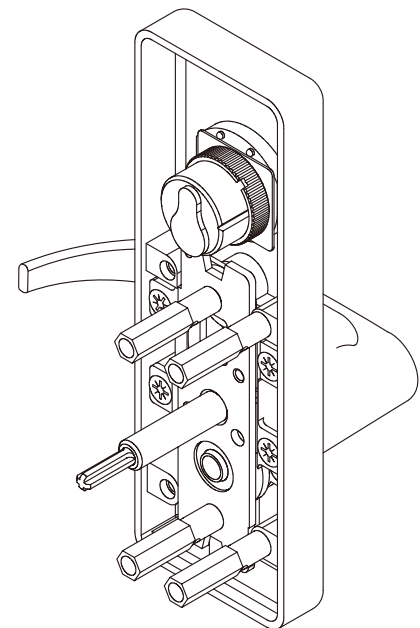
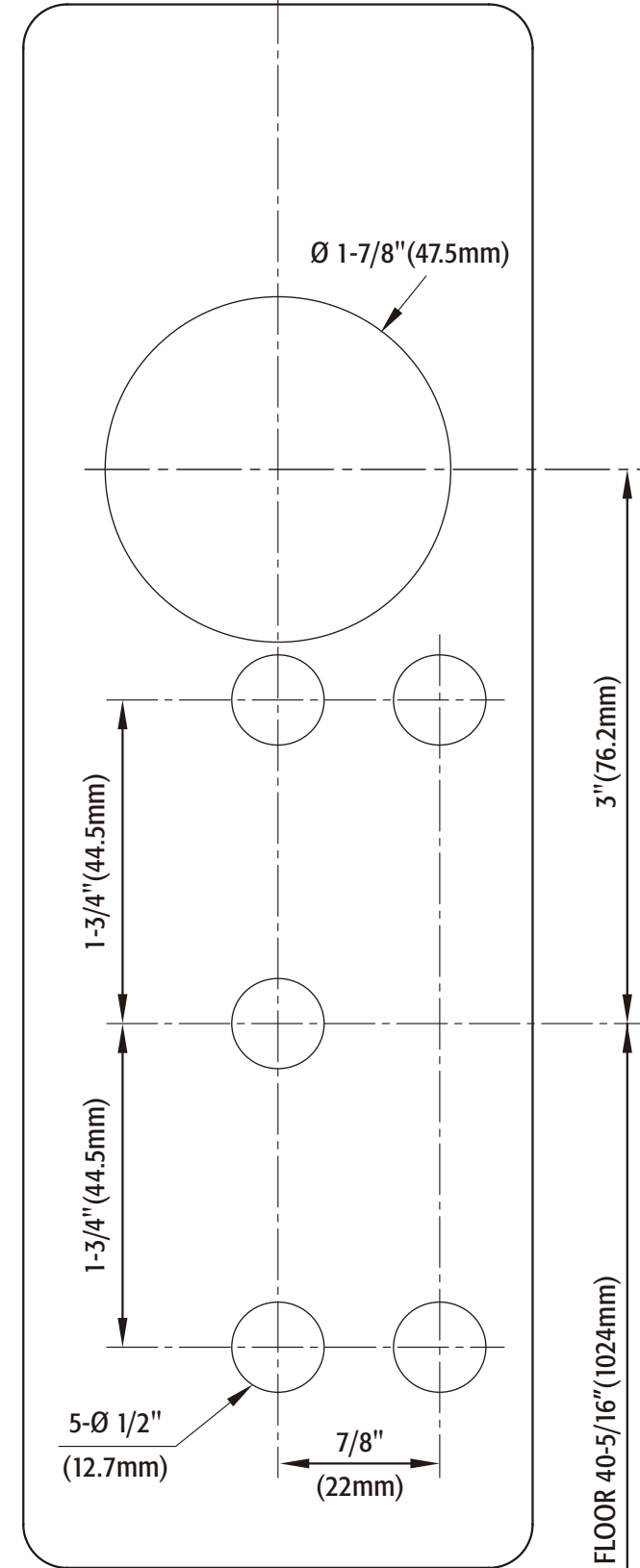
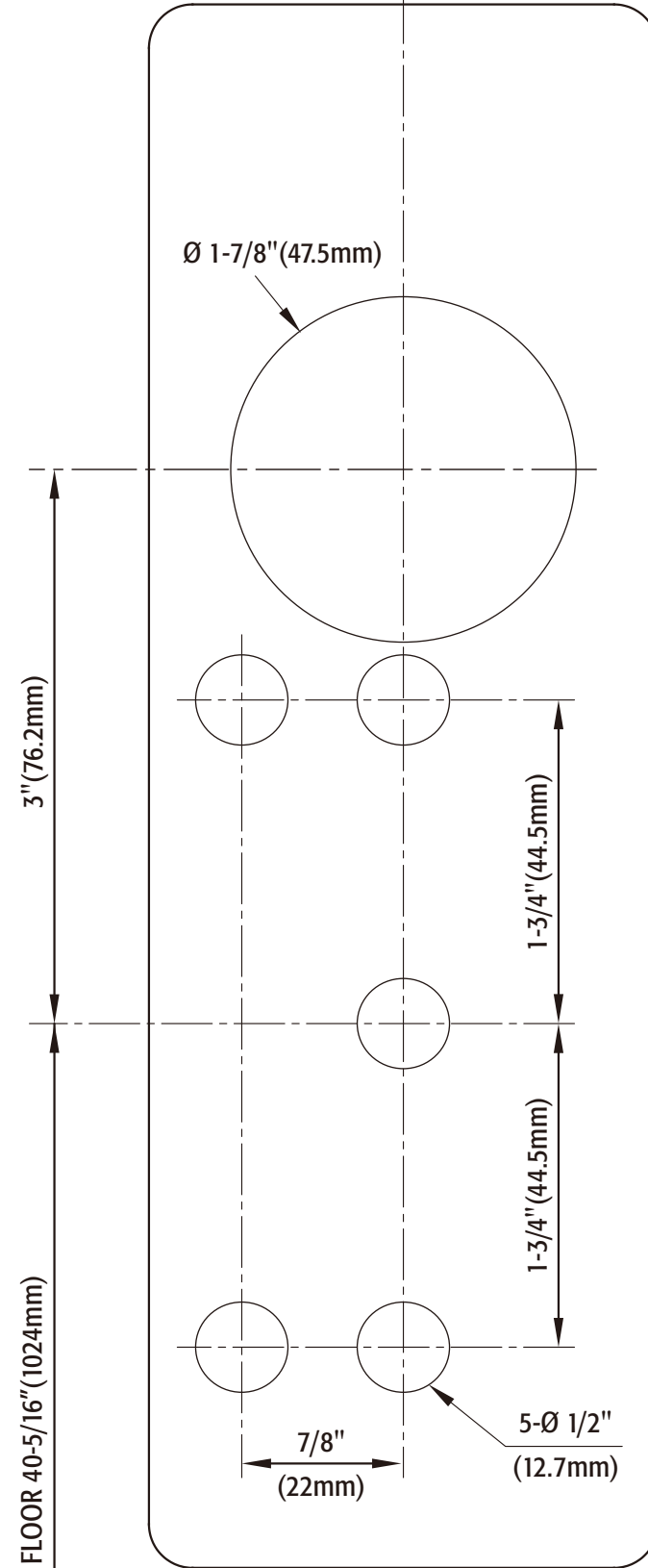
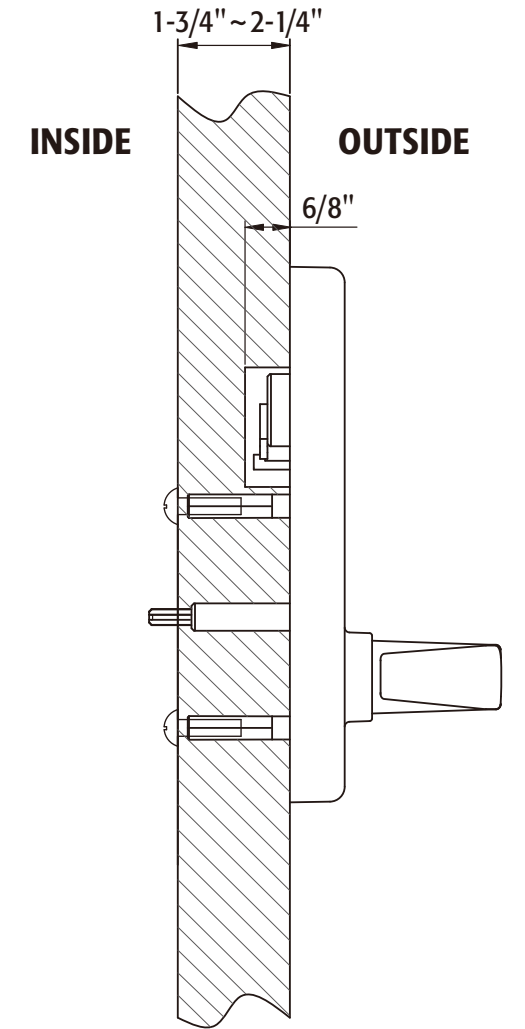
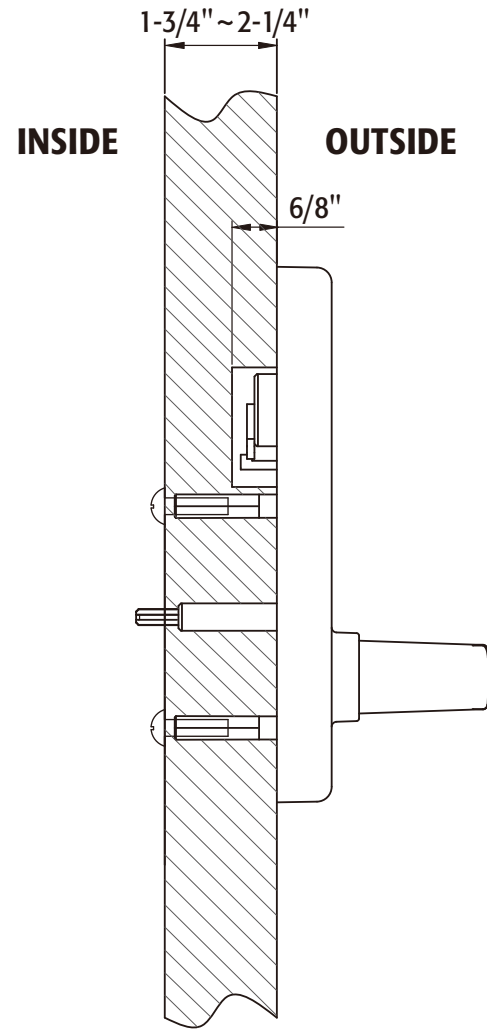
E00-7L000012
09/02-00

EDGE OF DOOR

EDGE OF DOOR

Per exit device instructions

Per exit device instructions



TO FINISHED FLOOR 40-5/16" (1024mm)

TO FINISHED FLOOR 40-5/16" (1024mm)

7/8" (22mm) 5- \O 1/2" (12.7mm)

5- \O 1/2" (12.7mm) 7/8" (22mm)

3" (76.2mm)

3" (76.2mm)

1-3/4" (44.5mm)

1-3/4" (44.5mm)

1-3/4" (44.5mm)

1-3/4" (44.5mm)

1-3/4" ~ 2-1/4"

1-3/4" ~ 2-1/4"

6/8"

6/8"

INSIDE

OUTSIDE

INSIDE

OUTSIDE