

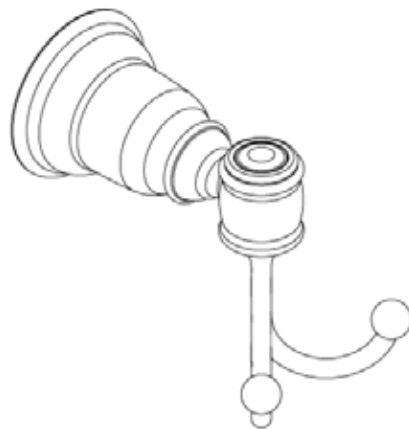
Double Robe Hook

Model: BC10-22

Features

- Material: Zinc Die-cast
- Concealed Surface Mount Application
- Provided with
 - Mounting Plate: 1-13/16" x 1-3/8"
 - Plastic Anchors x 2
 - Steel Phillips Head Screws #8 x 1-1/4"
- Projection: 4-3/8" from Mounting Surface
- Overall Size: 2-5/8" x 3-5/8"

Charleston Collection



Available Finish:

- Chrome
- Satin Nickel
- Venetian Bronze
- Matte Black

