

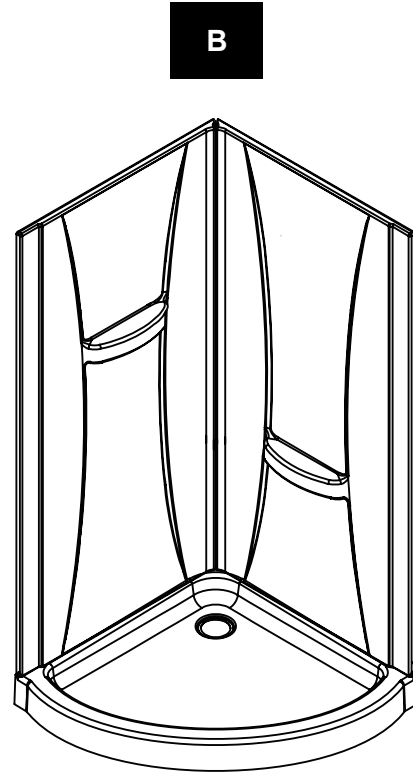
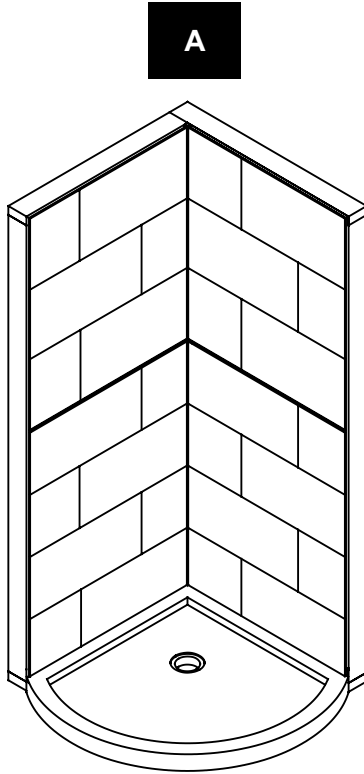
START WITH THIS INSTALLATION MANUAL

STEP 1: INSTALL YOUR SHOWER BASE (USING THIS MANUAL).

STEP 2: INSTALL YOUR SHOWER WALL BASED ON OPTION (A) OR OPTION (B).

OPTION (A): INSTALLATION WITH TILES OR COMPOSITE WALL PANELS (NOT SUPPLIED)

OPTION (B): INSTALLATION WITH OVE ACRYLIC PANELS (IF PURCHASED AS A KIT)



STEP 3: INSTALL YOUR SHOWER DOOR.

An installation video (V06) guide can be found on our Youtube channel:



<https://tinyurl.com/y95nqcmv>



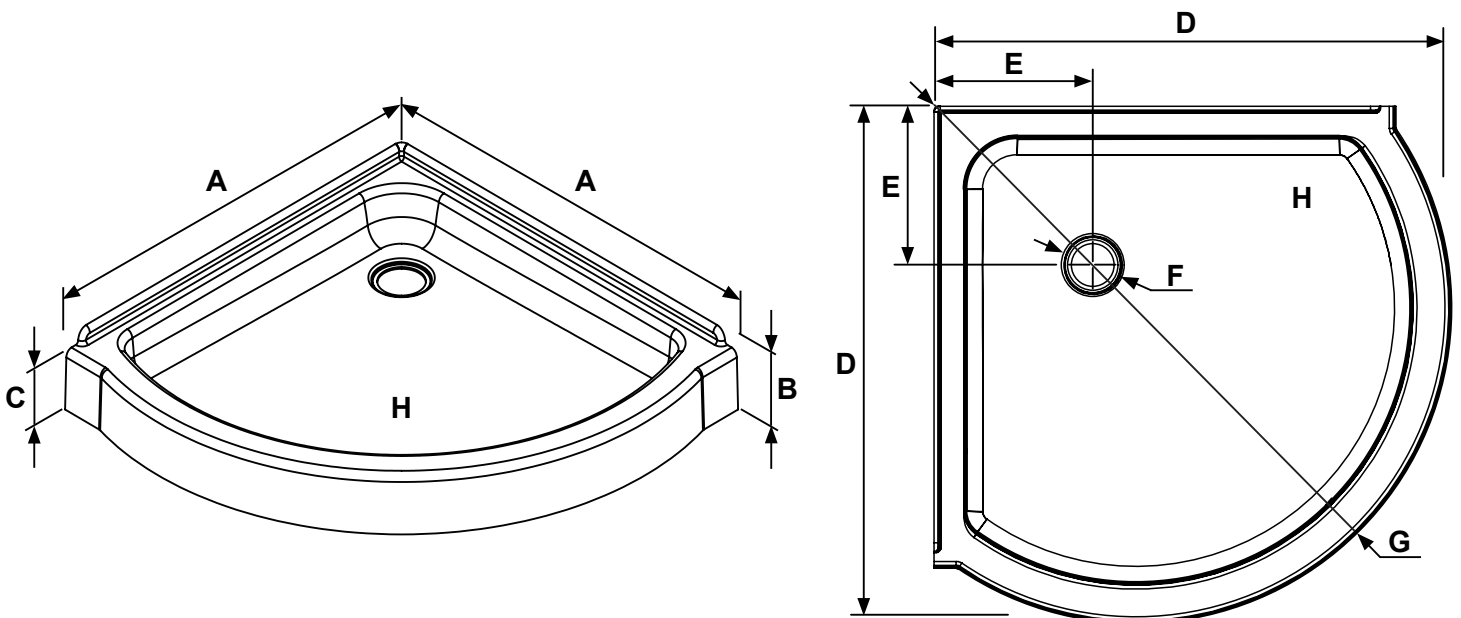
Questions, problems, need help?
Call our customer service department at
1-866-839-2888, 9 a.m. - 5 p.m., EST, Monday - Friday

TABLE OF CONTENTS

SHOWER BASE DIMENSIONS	3
SHOWER WALL DIMENSIONS	4
OVERALL SHOWER DIMENSIONS	5
PACKAGE CONTENTS (SHOWER DOOR)	6
PARTS LIST (SHOWER DOOR)	8
PARTS LIST (SHOWER BASE)	11
PARTS LIST (SHOWER WALL)	12
SAFETY INFORMATION	13
BEFORE INSTALLATION	14
BASE INSTALLATION (OPTION A)	15
BASE INSTALLATION (OPTION B)	25
ACRYLIC WALL PANELS INSTALLATION	32
SHOWER DOOR INSTALLATION	36
MAINTENANCE AND CARE, WARRANTY	48

SHOWER BASE DIMENSIONS

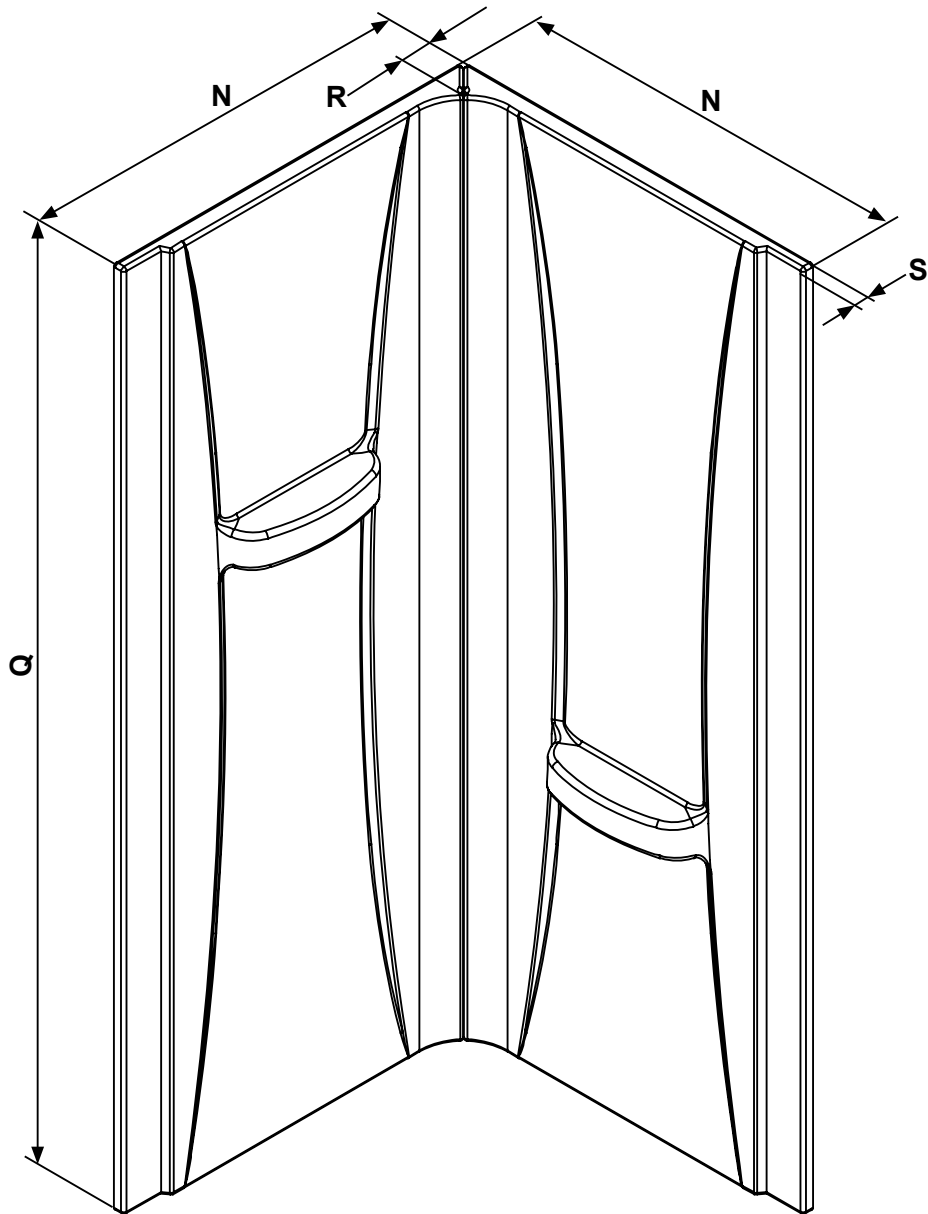
	Measurements	32"	34"	36"	38"
A	Edge width	31 7/8" 810mm	33 7/8" 860mm	35 15/16" 913mm	37 13/16" 960mm
B	Shower base height (With flange)	5 1/8" 130mm	5 1/8" 130mm	5 1/8" 130mm	5 1/8" 130mm
C	Threshold height (Without flange)	4 1/8" 105mm	4 1/8" 105mm	4 1/8" 105mm	4 1/8" 105mm
D	Overall shower base width	32 11/16" 830mm	34 15/16" 887mm	40 1/16" 1018mm	44 5/16" 1125mm
E	Drain distance from corner	7 7/16" 189mm	7 1/4" 184mm	12 3/8" 314mm	11 5/8" 296mm
F	Drain opening diameter	3 3/8" 85mm	3 3/8" 85mm	3 3/8" 85mm	3 3/8" 85mm
G	Base edge length (maximum)	36 1/8" 918mm	39 1/4" 996mm	46 7/8" 1187mm	51 7/8" 1318mm
H	Finished surface area	911 in ² 0.588 m ²	1051 in ² 0.678 m ²	1407 in ² 0.908 m ²	1708 in ² 1.102m ²



Measures: INCH (mm)

SHOWER WALL DIMENSIONS (IF PURCHASED AS A KIT)

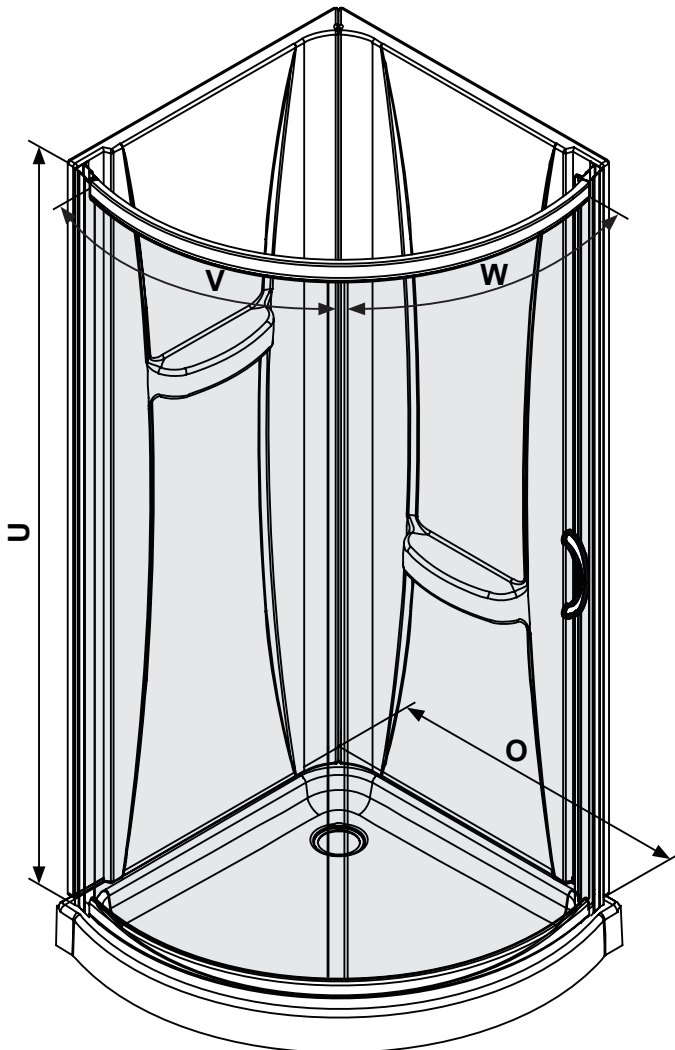
	Measurements	32"	34"	36"	38"
N	Wall width	30 3/4" 781mm	32 7/8" 835mm	34 13/16" 884mm	36 13/16" 935mm
Q	Wall height	73 3/8" 1863mm	73 3/8" 1863mm	73 3/8" 1863mm	73 3/8" 1863mm
R	Overall wall thickness	2 13/16" 71mm	1863mm	2 13/16" 71mm	2 13/16" 71mm
S	Wall thickness	15/16" 23mm	15/16" 23mm	15/16" 23mm	15/16" 23mm



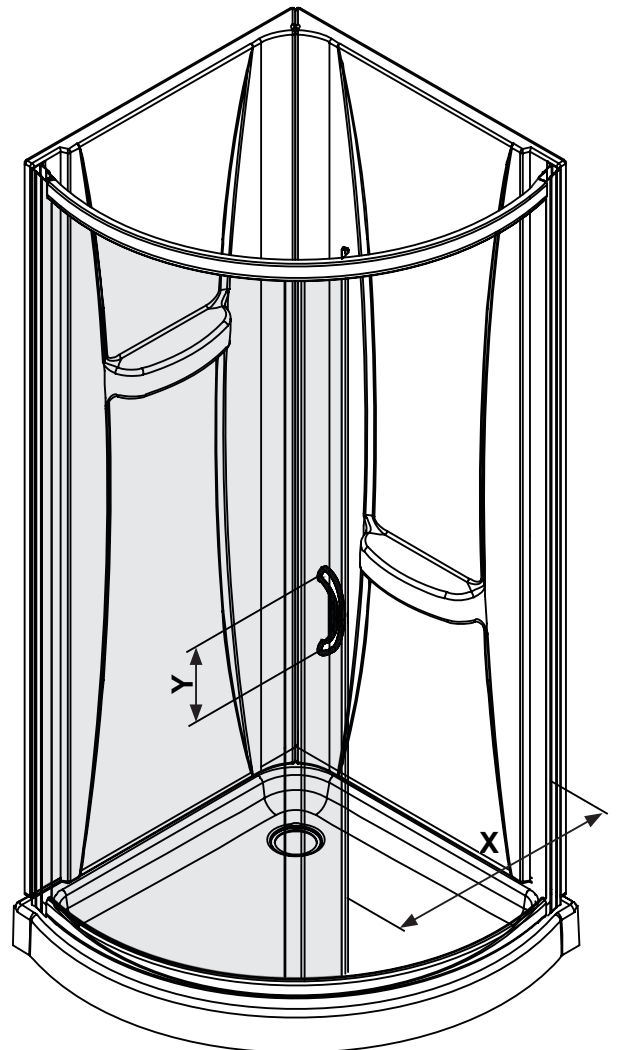
Measures: INCH (mm)

OVERALL SHOWER DIMENSIONS

	Measurements	32"	34"	36"	38"
O	Shower width (wall track to wall track)	29 13/16" 758mm	31 1/4" 793mm	33 7/16" 850mm	35 7/8" 911mm
U	Shower height	72 13/16" 1850mm	72 13/16" 1850mm	72 13/16" 1850mm	72 13/16" 1850mm
V	Fixed panel width	22 3/4" R23" 578 R584mm	25 1/16" R23" 637 R584mm	30 15/16" R23" 786 R584mm	39 3/16" R24 1/2" 995 R622mm
W	Door panel width	23 15/16" R22 1/16" 608 R560mm	26 3/16" R22 1/16" 665 R560mm	32 1/4" R22 1/16" 819 R560mm	32 5/8" R23 9/16" 829 R598mm
X	Door opening	19 15/16" 506mm	21 13/16" 554mm	25 11/16" 652mm	26 1/8" 664mm
Y	Distance between handle holes	5 11/16" 145mm	5 11/16" 145mm	5 11/16" 145mm	5 11/16" 145mm



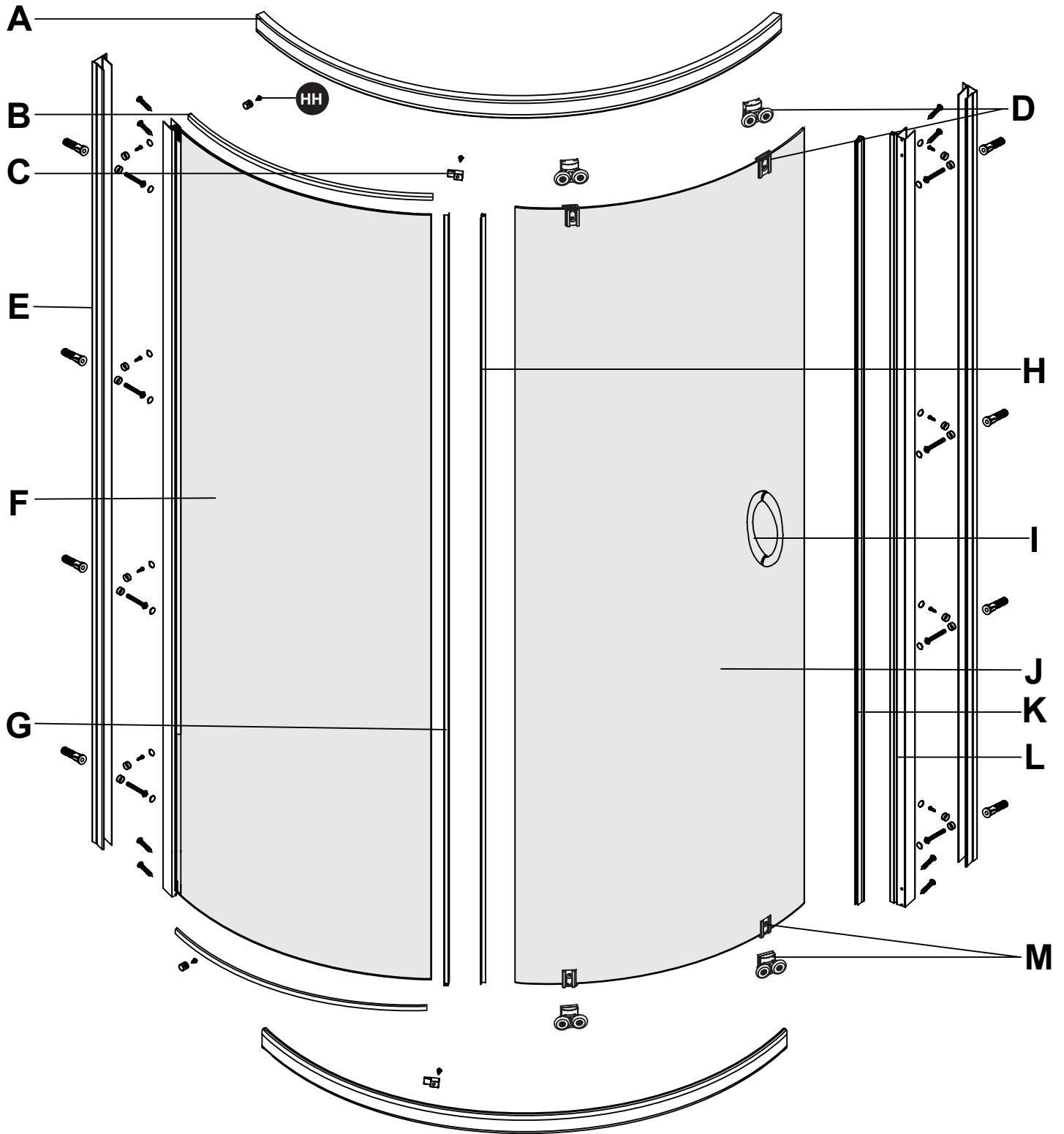
OVERALL SHOWER DIMENSION



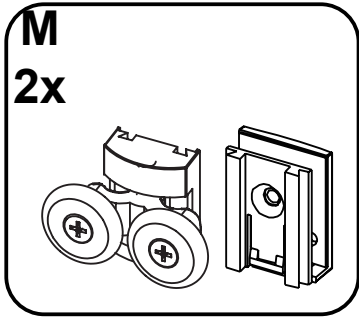
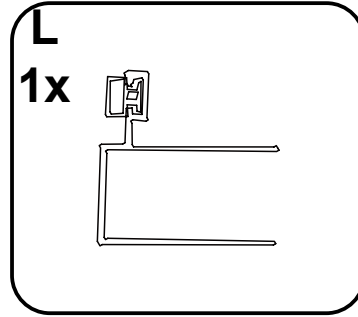
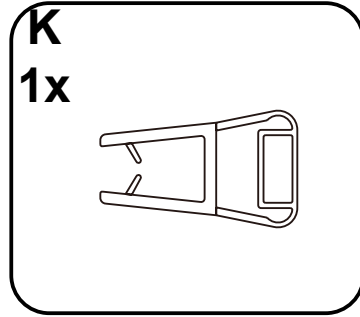
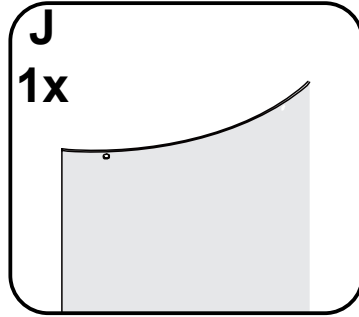
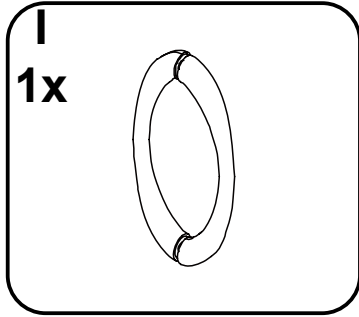
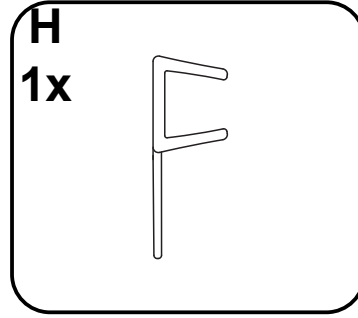
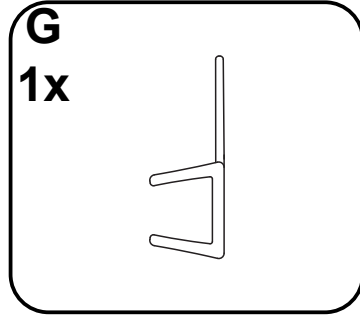
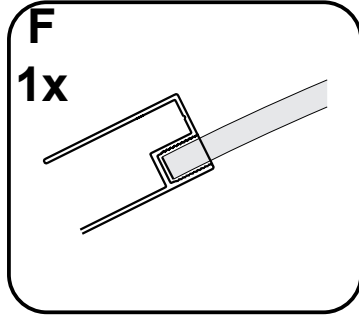
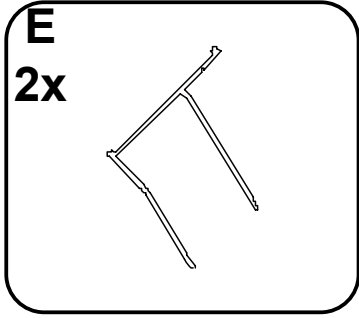
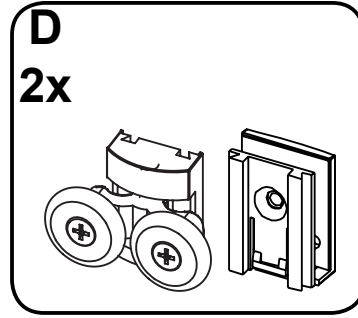
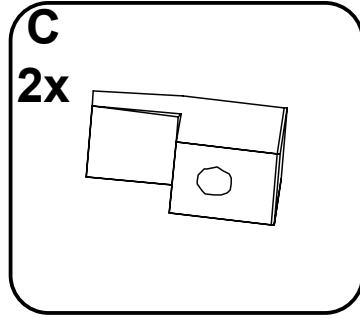
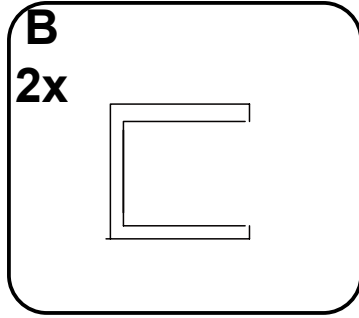
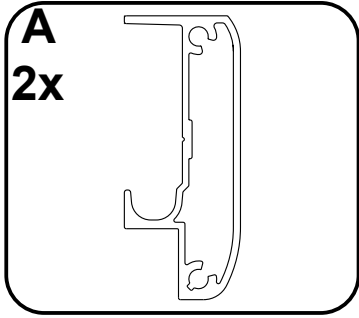
SHOWER DOOR OPENING DIMENSION

Measures: INCH [mm]

PACKAGE CONTENTS (SHOWER DOOR)



PACKAGE CONTENTS (SHOWER DOOR)



PARTS LIST (SHOWER DOOR)

PART #	DESCRIPTION	QUANTITY	CODE
A	Frame track (top and bottom)	2	32" Chrome: 99STR1033
			34" Chrome: 99STR1034
			36" Chrome: 99STR1035
			38" Chrome: 99STR1036
			32" Satin Nickel: 99STR3766-AC
			34" Satin Nickel: 99STR3767-AC
			36" Satin Nickel: 99STR3768-AC
			38" Satin Nickel: 99STR3769-AC
			32" Matt Black: 99STR3770-AC
			34" Matt Black: 99STR3771-AC
			36" Matt Black: 99STR3772-AC
			38" Matt Black: 99STR3773-AC
B	Fixed panel seal strip (top and bottom)	2	32" Chrome and Satin Nickel: 99SRU3633-AC
			34" Chrome and Satin Nickel: 99SRU3634-AC
			36" Chrome and Satin Nickel: 99SRU3635-AC
			38" Chrome and Satin Nickel : 99SRU3636-AC
			32" Matt Black: 99SRU3703-AC
			34" Matt Black: 99SRU3704-AC
			36" Matt Black: 99SRU3705-AC
			38" Matt Black: 99SRU3706-AC
C	Fixed panel clamp	2	Chrome: 99SGC1030
			Satin Nickel: 99SGC4053-AC
			Matt Black: 99SGC4054-AC
D	Top wheels and holder (holder pre-installed)	2	Chrome: 99SWE0067-AC
			Satin Nickel: 99SWE3644-AC
			Matt Black: 99SWE3645-AC
E	Wall track	2	32" Chrome: 99STR3835-AC
			32" Satin Nickel: 99STR3837-AC
			32" Matt Black: 99STR3836-AC
			34" Chrome: 99STR3838-AC
			34" Satin Nickel: 99STR3840-AC
			34" Matt Black: 99STR3839-AC
			36" Chrome: 99STR3841-AC
			36" Satin Nickel: 99STR3843-AC
			36" Matt Black: 99STR3842-AC
			38" Chrome: 99STR1043-AC
			38" Satin Nickel: 99STR3774-AC
			38" Matt Black: 99STR3775-AC

PARTS LIST (SHOWER DOOR)

PART #	DESCRIPTION	QUANTITY	CODE	
F	Fixed panel	1	Transparent glass	32" Chrome: 99SG10018-AC
				34" Chrome: 99SG10327-AC
				36" Chrome: 99SG10328-AC
				38" Chrome: 99SG10329-AC
				32" Satin Nickel: 99SG3754-AC
				34" Satin Nickel: 99SG3755-AC
				36" Satin Nickel: 99SG3756-AC
				38" Satin Nickel: 99SG3757-AC
				32" Matt Black: 99SG3758-AC
				34" Matt Black: 99SG3759-AC
			36" Matt Black: 99SG3760-AC	
			38" Matt Black: 99SG3761-AC	
			Rough messy frosted glass	32" Chrome: 99SGP-7S5N5VN8-AC
				34" Chrome: 99SGP-739GKCQU-AC
				36" Chrome: 99SGP-7Q9K943L-AC
				38" Chrome: 99SGP-59G50X35-AC
				32" Satin Nickel: 99SG3762-AC
				34" Satin Nickel: 99SG3763-AC
				36" Satin Nickel: 99SG3764-AC
				32" Matt Black: 99SG3766-AC
34" Matt Black: 99SG3767-AC				
36" Matt Black: 99SG3768-AC				
G	Fixed panel seal strip	1	Chrome and Satin Nickel: 99SRU0057	
			Matt Black: 99SRU3707-AC	
H	Door panel seal strip	1	Chrome and Satin Nickel: 99SRU0058	
			Matt Black: 99SRU3708-AC	
I	Door handle	1	Chrome: 99SHA1022	
			Satin Nickel: 99SHA3639-AC	
			Matt Black: 99SHA3640-AC	

PARTS LIST (SHOWER DOOR)

PART #	DESCRIPTION	QUANTITY	CODE	
J	Door panel	1	Transparent glass	32" : 99SGD0021-AC
				34" : 99SGD0041-AC
				36" : 99SGD0040-AC
				38" : 99SGD0042-AC
			Rough messy frosted glass	32" : 99SGD3661-AC
				34" : 99SGD3662-AC
				36" : 99SGD3663-AC
				38" : 99SGD3664-AC
			Small squares frosted glass	32" : 99SGD4958-AC
				34" : 99SGD4959-AC
				35" : 99SGD4960-AC
				36" : 99SGD4961-AC
K	Door magnetic seal strip	1	Chrome and Satin Nickel: 99SRU0059	
			Matt Black: 99SRU3709-AC	
L	Magnetic door track	1	Chrome: 99STR1037	
			Satin Nickel: 99STR3776-AC	
			Matt Black: 99STR3777-AC	
M	Bottom wheels and holder (holder pre-installed)	2	Chrome: 99SWE0068-AC	
			Satin Nickel: 99SWE3646-AC	
			Matt Black: 99SWE3647-AC	
***	Complete hardware kit	N/A	Chrome: 99SHW0040-AC	
			Satin Nickel: 99SHW6076-AC	
			Matt Black: 99SHW6077-AC	

SUPPLIED HARDWARE LIST (SHOWER DOOR)

AA



Screw
ST4x45
12+2

BB



Screw
ST3.5x25
8+2

CC



Wall Anchor
ø6x30
8+1

DD



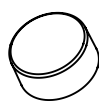
Screw
ST4x14
2+1

EE



Screw
ST4x13
6+1

FF



Screw cap
14+1

GG



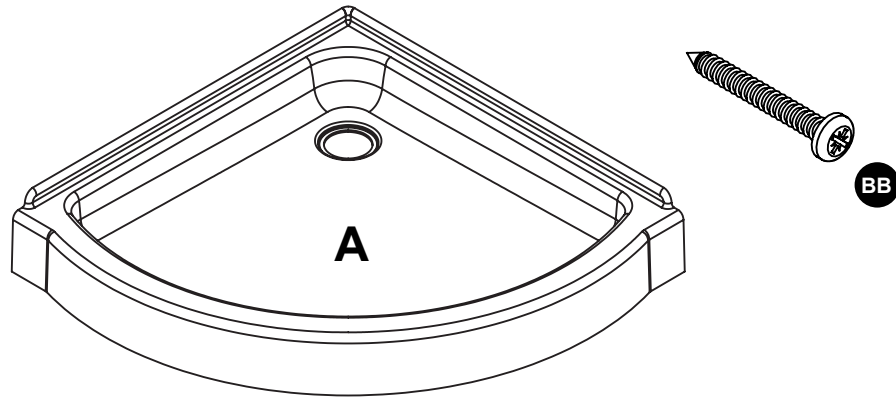
Washer
x14

HH



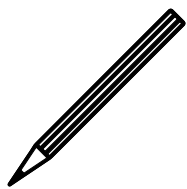
Spare screw
ST4x12
+1

PARTS LIST (SHOWER BASE)

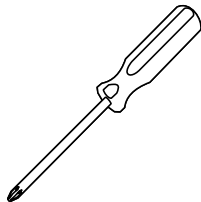


PART #	DESCRIPTION	QUANTITY	CODE
A	Shower base	1	--
			--
			--
			--
BB	Screw (ST4x30mm)	8+1	--

TOOLS REQUIRED (NOT SUPPLIED)



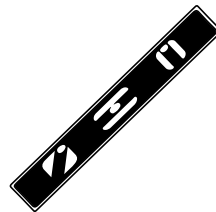
Pencil



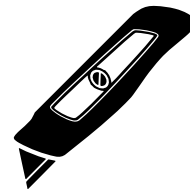
Screwdriver



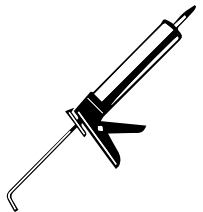
Measuring tape



Level



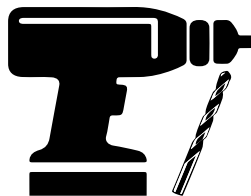
Box cutter



Silicone



Saw



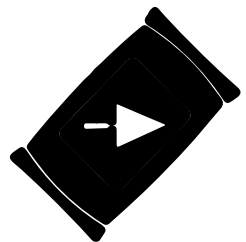
Drill and drill bits
 ø1/8" (3mm)
 ø3/16" (5mm)
 ø1/4" (6mm)



Hole saw drill bit



Wood shims



Cement



Trowel



Safety glasses



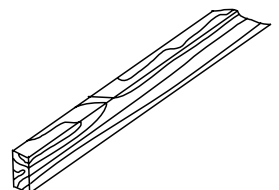
Rubber mallet



Ratchet
 5mm Bit socket

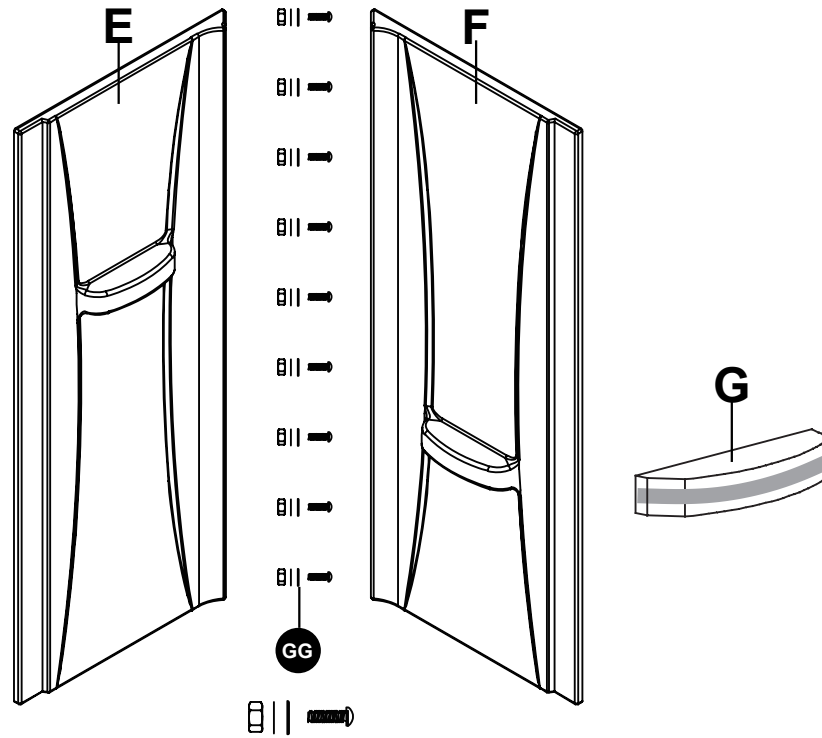


Construction Adhesive



1x3 Battens

PARTS LIST SHOWER WALL (IF PURCHASED AS A KIT)



PART #	DESCRIPTION	QUANTITY	CODE
E	Wall panel (left)	1	32" : 99SAP0044-AC
			34" : 99SAP0046-AC
			36" : 99SAP0048-AC
			38" : 99SAP0050-AC
F	Wall panel (right)	1	32" : 99SAP0045-AC
			34" : 99SAP0047-AC
			36" : 99SAP0049-AC
			38" : 99SAP0051-AC
G	Shelf support foam	2	--
GG	Bolt and nut	9	99SHW0353-AC



SAFETY INFORMATION



CAUTION

Please carefully read the following important safety information before handling or installing this shower. There is a risk of serious injury while handling this product. To minimize these risks, please note:

- Always wear safety glasses and gloves while handling.
- Always read and follow all the steps in the installation instructions.
- Inspect all contents and glass for damage before installation.
- Extreme caution should be taken while handling the glass during installation as the tempered glass may shatter if in contact with a hard surface.
- Handle the tempered glass with caution! Improperly handling the glass can cause it to break suddenly in small pieces (never in pointed fragments).
- Always take all precautions not to touch the tempered glass with any tools during the installation, or after installed.
- Do not cut or modify the tempered glass as it will shatter if cut.
- Carefully remove product from packaging and keep packaging until installation is complete.
- Inspect all parts for damage; if there is damage to the unit prior to installation, please contact customer service at the number provided in this guide.
- Install the shower on a floor that is level and able to accommodate the weight of the unit and an occupant.
- Consult local building codes and compliance standards prior to installation and ensure conformity.
- After installation, and from time to time, check the glass for fit and finish to ensure that nothing has come loose since installation.
- Keep this installation manual for future reference.

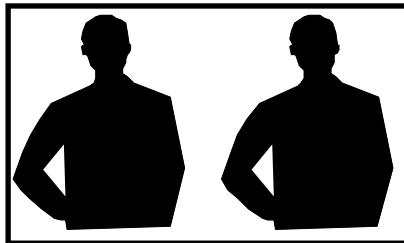
NOTICE

Any modification or alteration from what is specified in this instruction manual will void any and all warranty on this product.

The distributor is not responsible for any damage to the unit or personal property caused by improper installation. If you disregard instructional warnings, you will void your warranty and possibly deal with water damage.

Consult the distributor's website for any additional information or question on this product's installation.

PREPARATION



You will need at least two people to install this unit properly.



BEFORE INSTALLTION

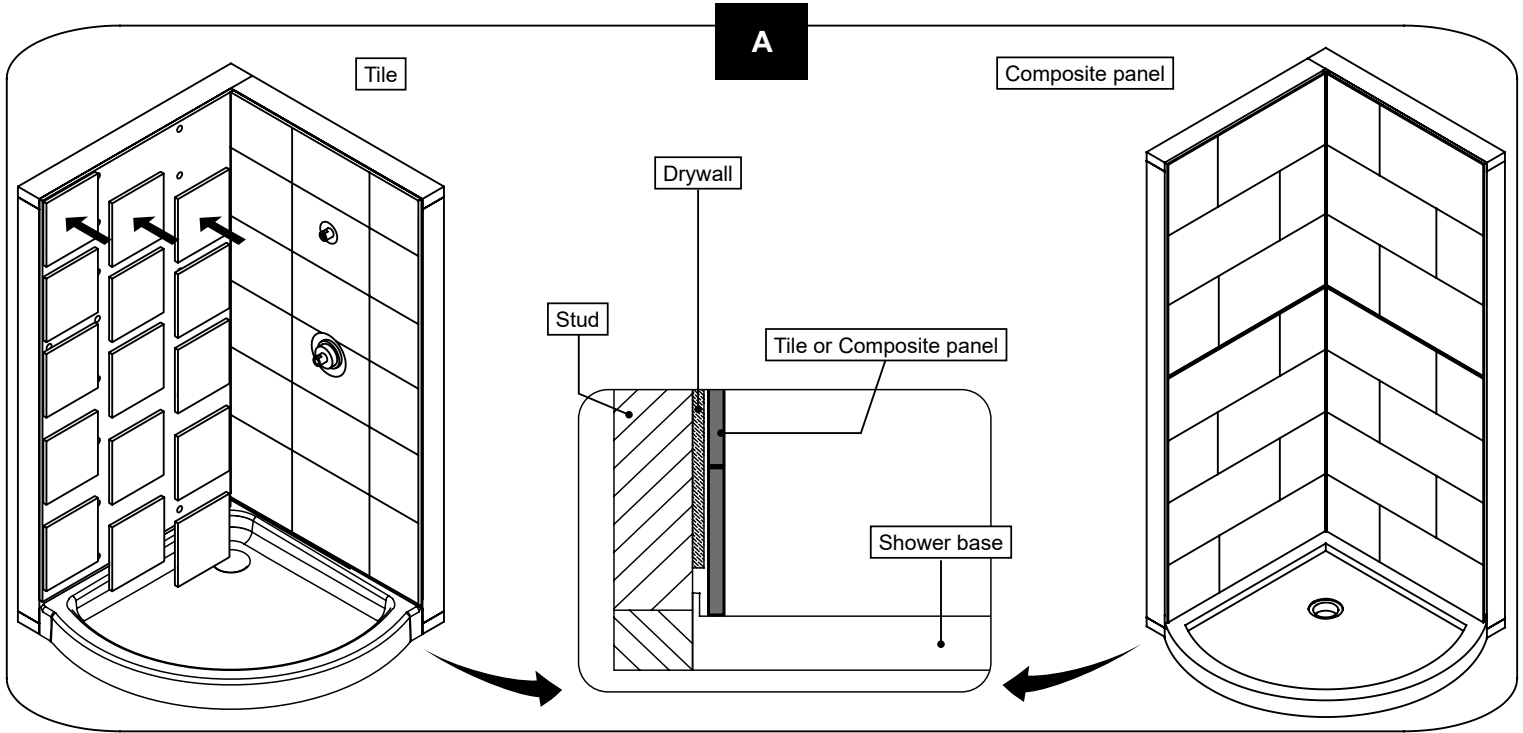


For the easy installation of this product please read the following important points:

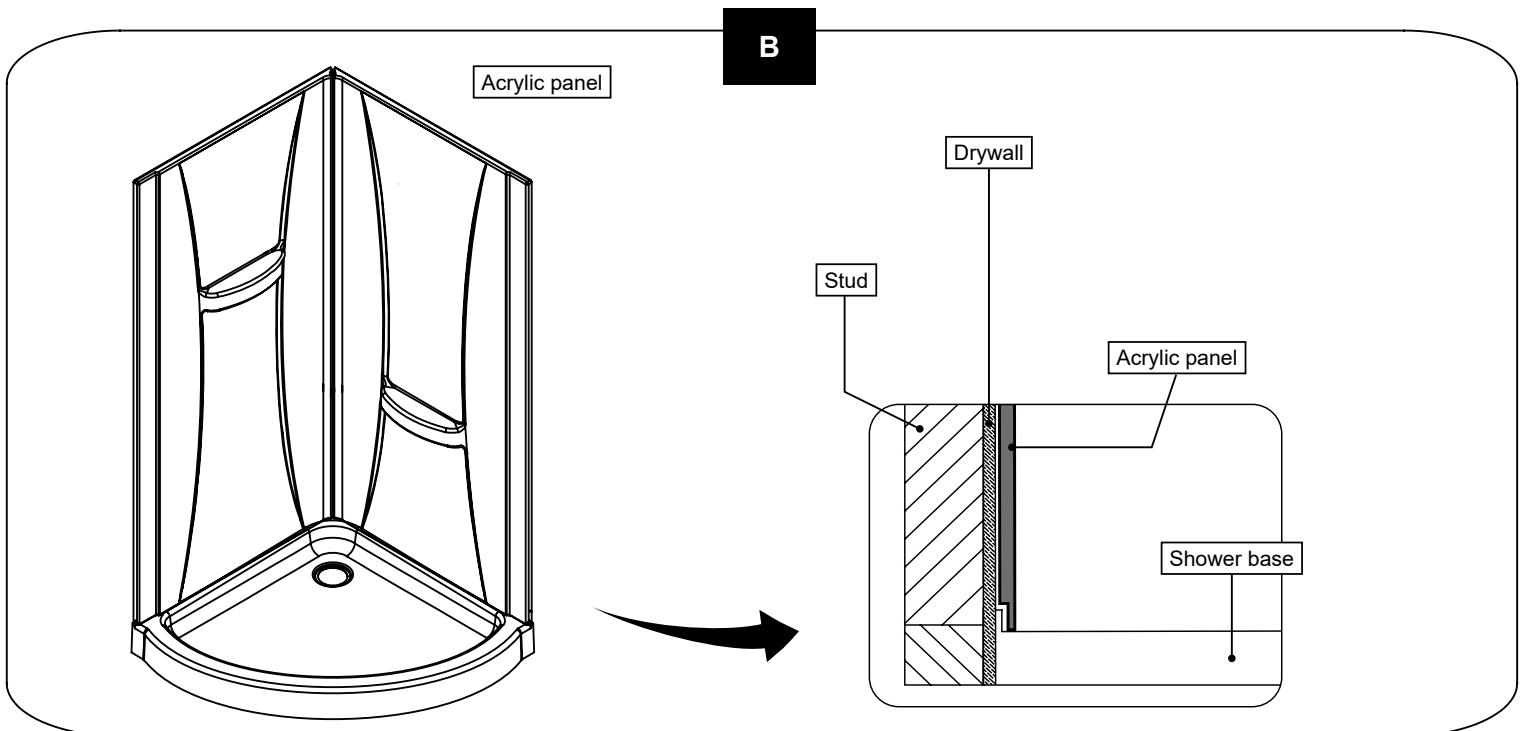
- **READ ALL** the instructions completely before beginning.
- **ENSURE** you find all parts listed in the part list of each package: **Shower Door, Shower Base, Shower Wall (if purchased as a kit)**. Contact customer service immediately if any part is missing at 1-866-839-2888 or customerservice@ovedecors.com.
- If your walls are of tile or composite panels (**Option A**) continue to page 15. If you are using the provided Acrylic Panels, continue to (**Option B**) on page 25.

Please see the images below for **OPTION (A), OPTION (B)**.

Shower Kit: Shower Door + Shower Base



Shower Kit: Shower Door + Shower Base + Shower Wall



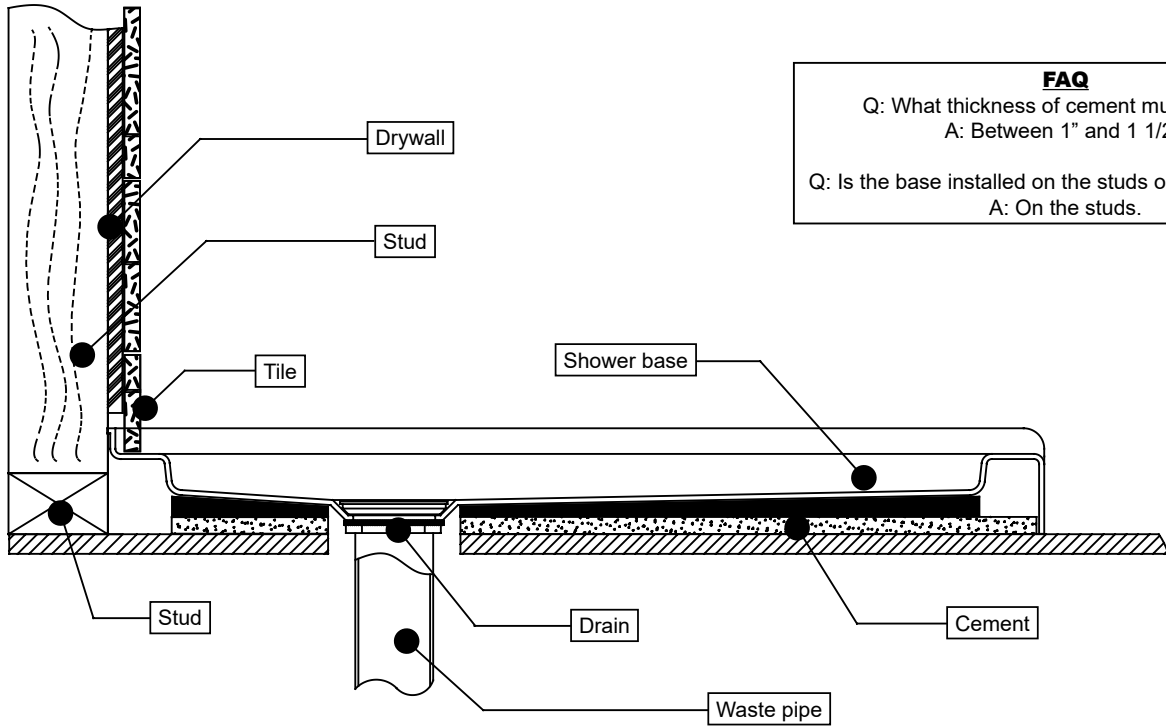
A

BASE INSTALLATION OVERVIEW (OPTION A)

1. Before you start the installation of your product consult the illustration 1 below showing a side-view of the completed installation.
2. Illustration 2 shows the recommended wall structure and measurements for the product installation.

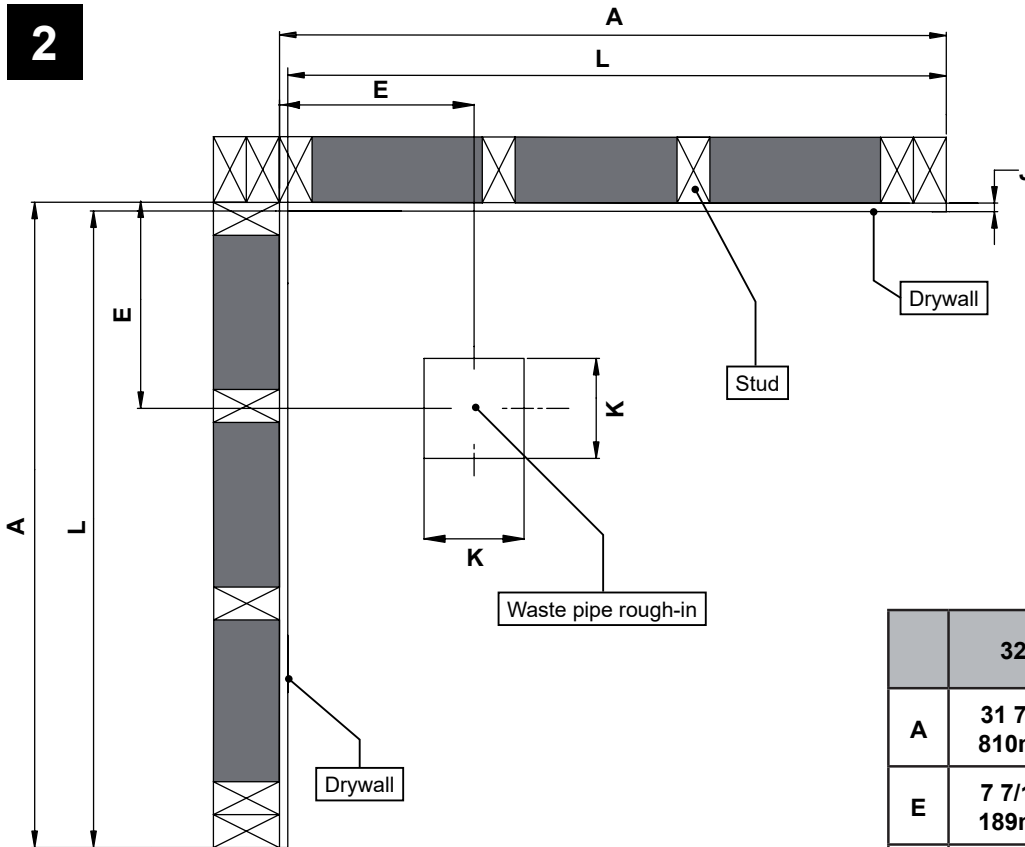
NOTE: Customer must follow and comply with the local and national building and plumbing codes. All illustrations in this manual are for reference only and do not take precedent on any code or regulation. It's recommended that this product be installed by a professional.

1



FAQ
 Q: What thickness of cement must I apply?
 A: Between 1" and 1 1/2".
 Q: Is the base installed on the studs or on the drywall?
 A: On the studs.

2

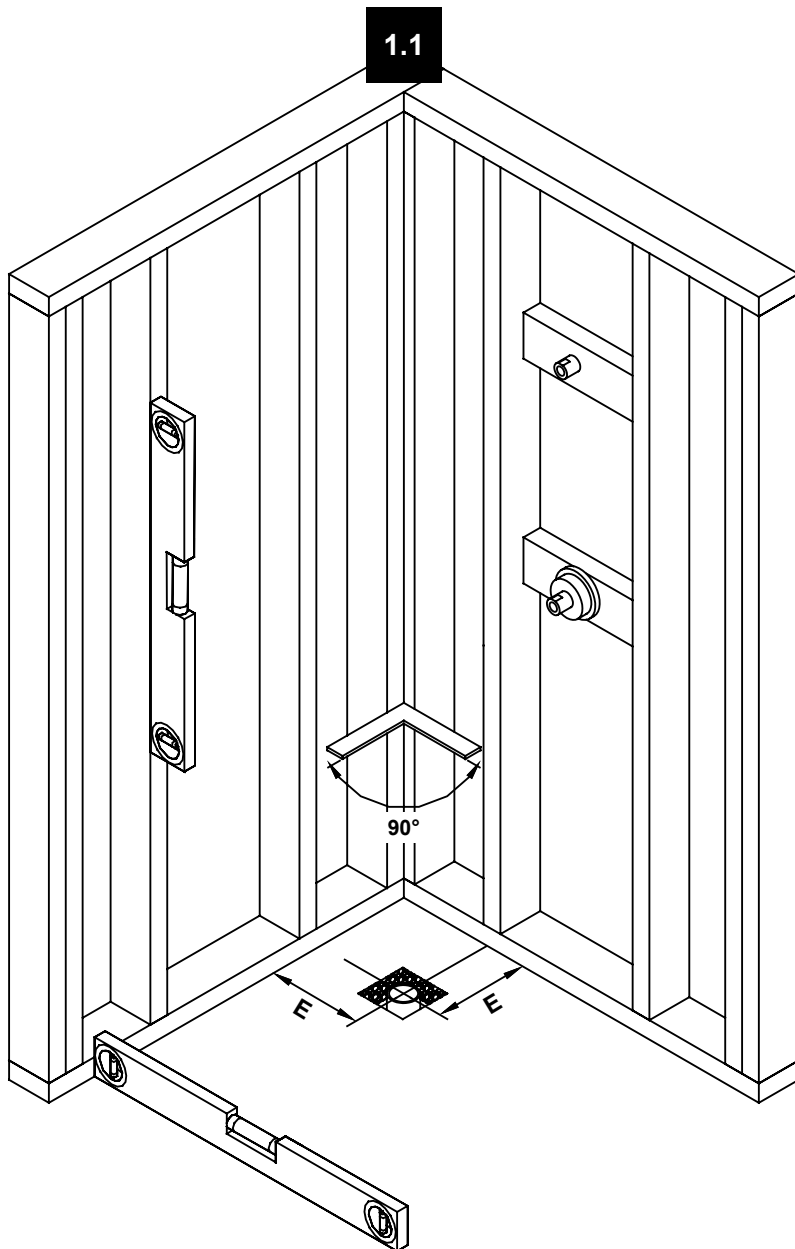


	32"	34"	36"	38"
A	31 7/8" 810mm	33 7/8" 860mm	35 15/16" 913mm	37 13/16" 960mm
E	7 7/16" 189mm	7 1/4" 184mm	12 3/8" 314mm	11 5/8" 296mm
J	1/2" 13mm	1/2" 13mm	1/2" 13mm	1/2" 13mm
K	6" 152mm	6" 152mm	6" 152mm	6" 152mm
L	31 9/16" 802mm	33 9/16" 852mm	35 1/2" 902mm	37 1/2" 952mm

1.1. Ensure that the wall structure is leveled.

1.2. Place the shower base (A) on the floor and mark the outline using a pencil.

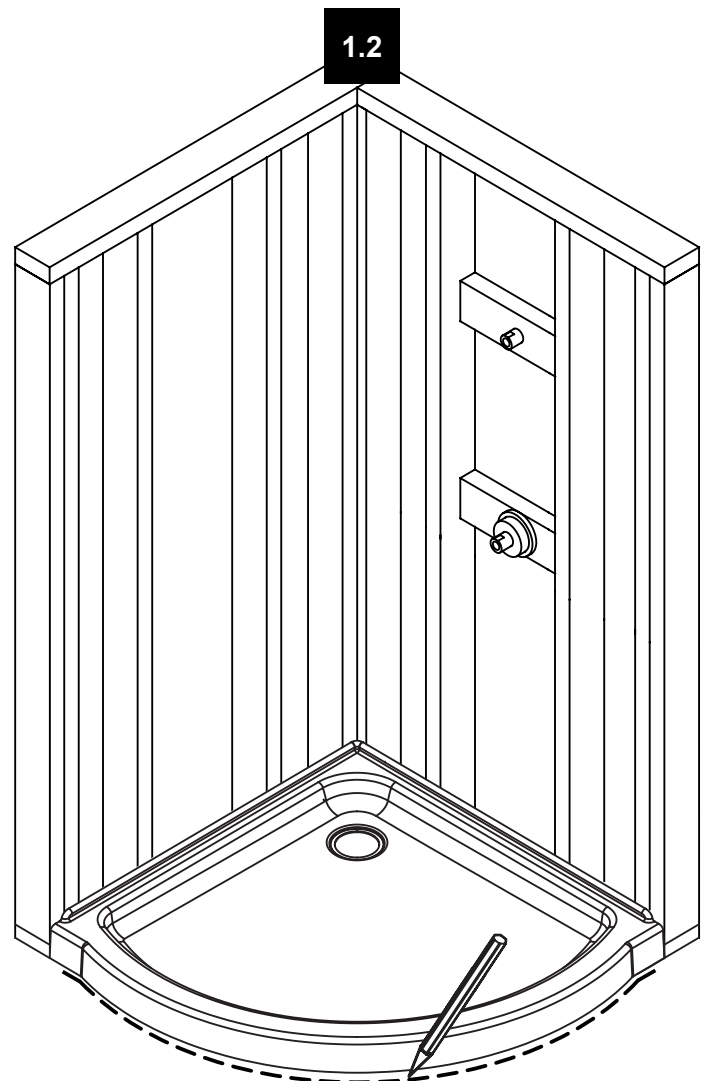
*This section is only for tile wall installation, for composite wall panel installation please refer to your composite wall panel instruction manual.



	32"	34"	36"	38"
E	7 7/16" 189mm	7 1/4" 184mm	12 3/8" 314mm	11 5/8" 296mm

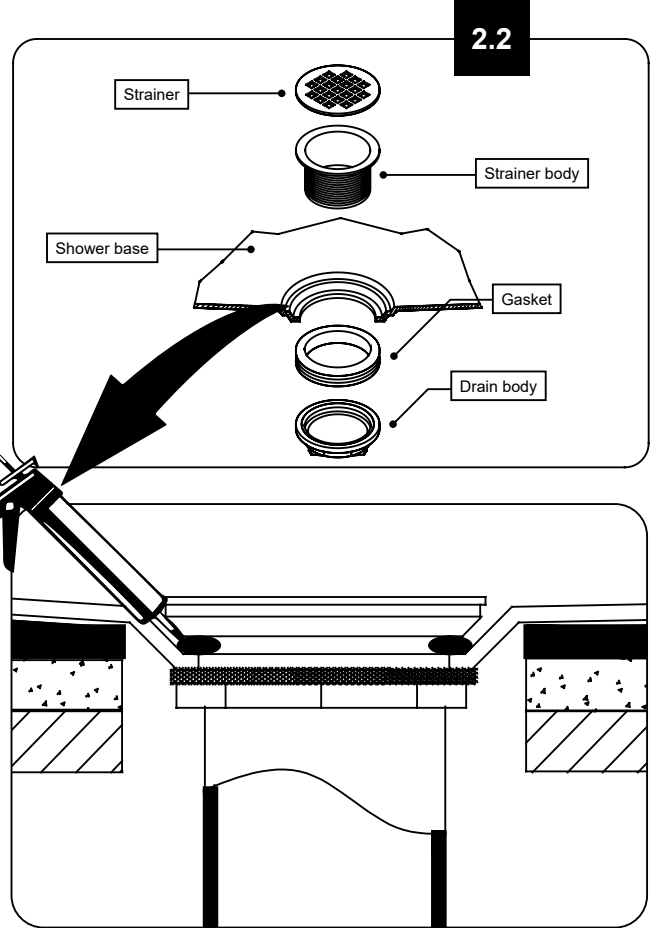
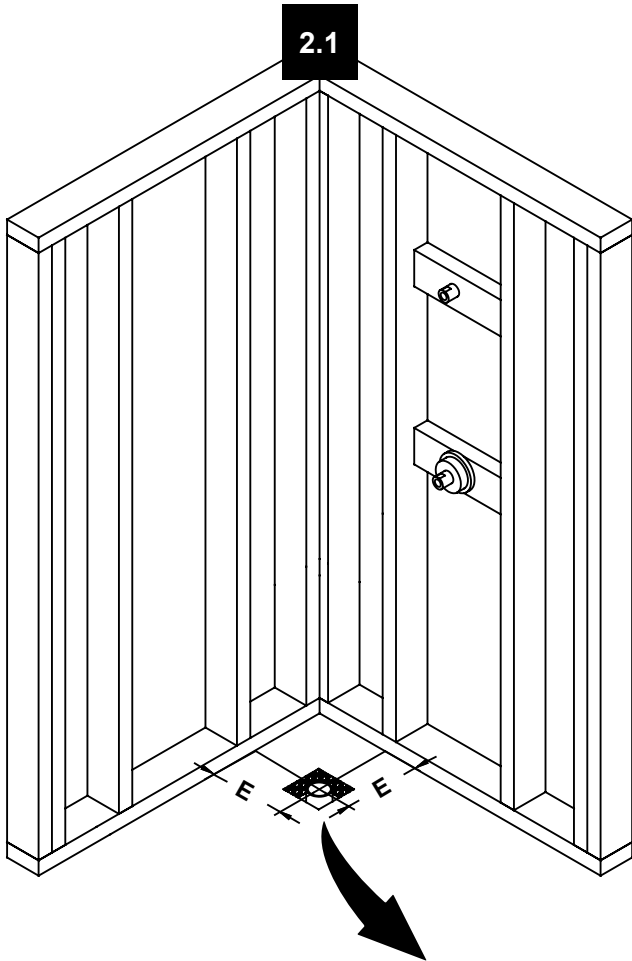
NOT SUPPLIED!

The studs, the drywalls and the drywall screws are not supplied.

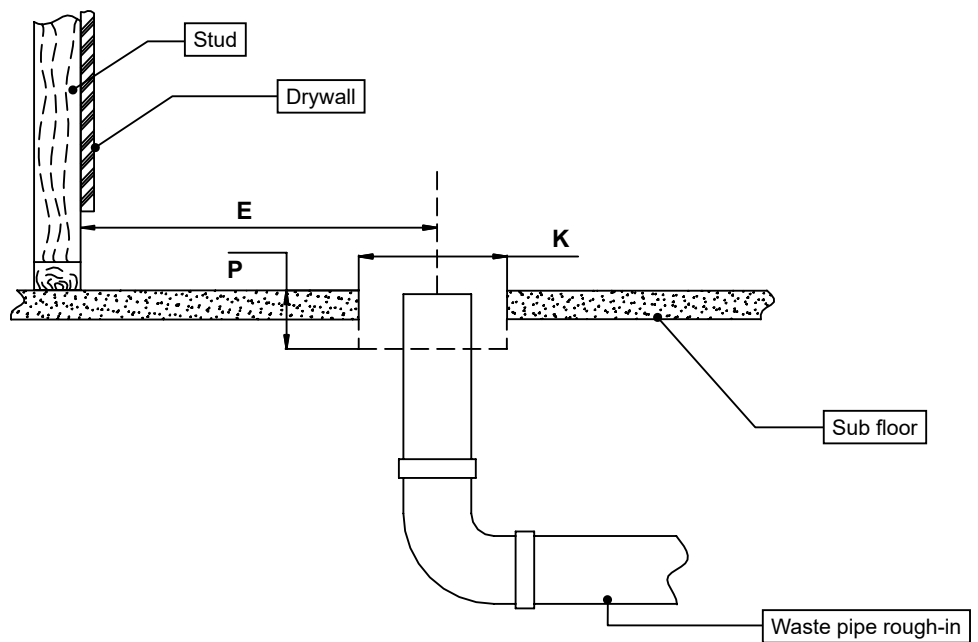


2.1. Ensure that the waste pipe plumbing is completed.

2.2. The shower drain is not supplied, these illustrations are for reference only. It is recommended that you review the drain installation from the manufacturer before continuing. Usually, the drain body must be sealed onto the waste pipe before continuing the base installation. Once the base installation is completed, the strainer body is screwed into the drain body. Apply silicone under the strainer body to reduce the risks of leakage.



	32"	34"	36"	38"
E	7 7/16" 189mm	7 1/4" 184mm	12 3/8" 314mm	11 5/8" 296mm
K	6" 152mm	6" 152mm	6" 152mm	6" 152mm
P	2 1/4" 57mm	2 1/4" 57mm	2 1/4" 57mm	2 1/4" 57mm



NOT SUPPLIED!
The shower drain and the waste pipe are not supplied.

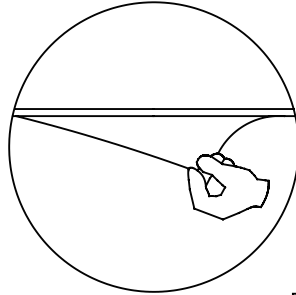
BASE INSTALLATION (SUB-STRUCTURE)

NOTE: Remove the protective film from base before installation.

- 3.1. Apply cement (1 in to 1 1/2 in [2.5 to 3.8cm] thick) within the traced contour of the shower base. This will help level the base in subsequent steps. The thickness of the cement layer varies depending on your floor.
- 3.2. Before setting the shower base onto the cement, it is recommended to cover the cement with a thin (2mm [1/16 in]) sheet of polyethylene. This will prevent the base from being permanently stuck to the cement, and allow for future adjustments if necessary.
- 3.3. Level the shower base.

NOTE:

Remove the protective film from base before installation.



NOT SUPPLIED!

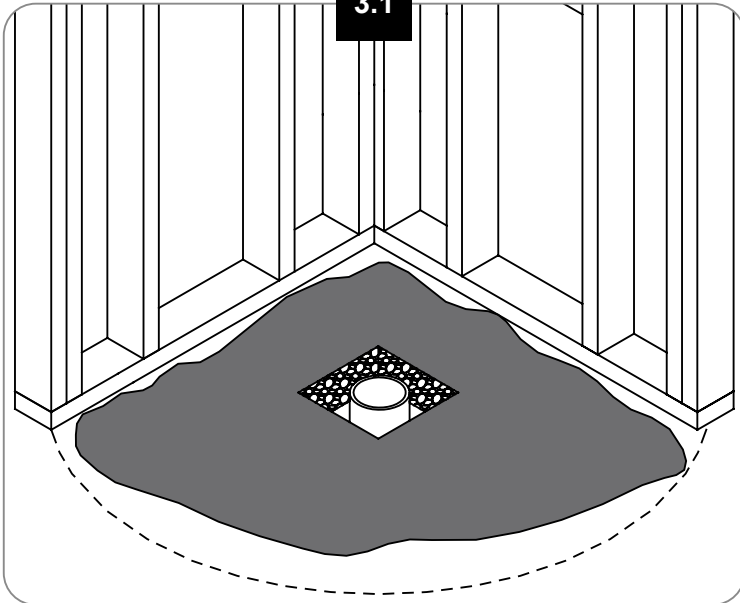
The cement and the polyethylene sheet are not supplied.

FAQ

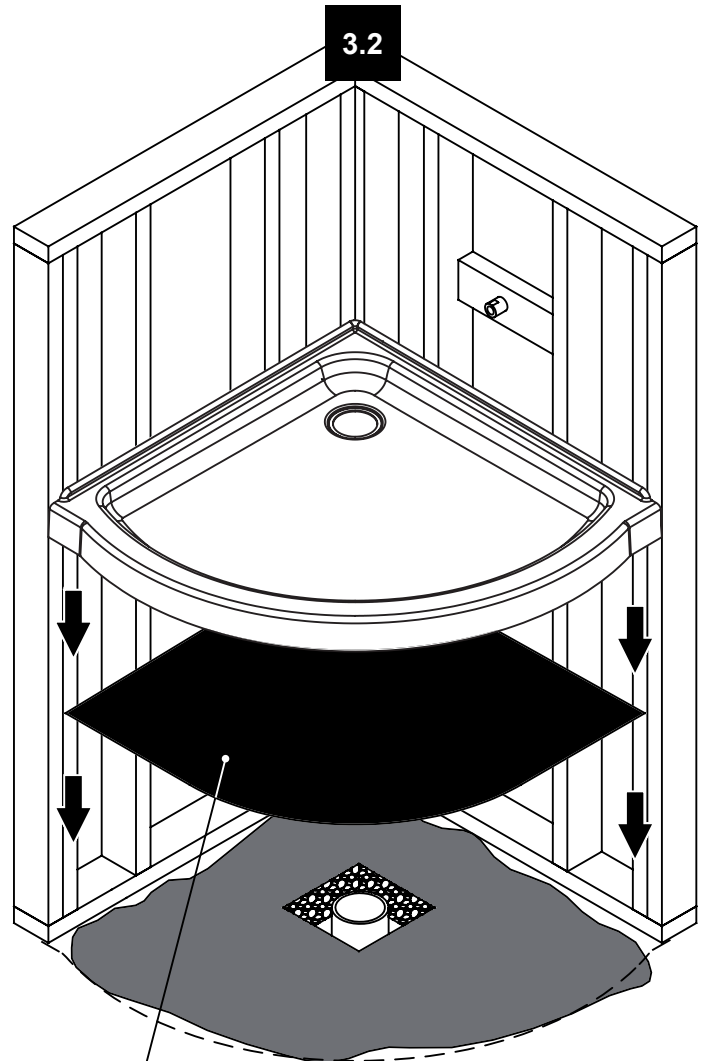
Q: What thickness of cement must I apply?
A: Between 1" and 1 1/2" (2.5 to 3.8cm).

Q: Is the base installed on the studs or on the drywall?
A: On the studs.

3.1

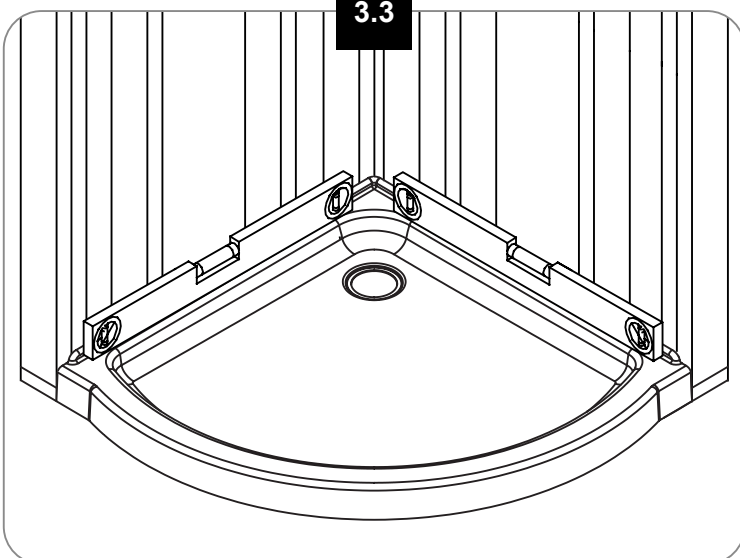


3.2



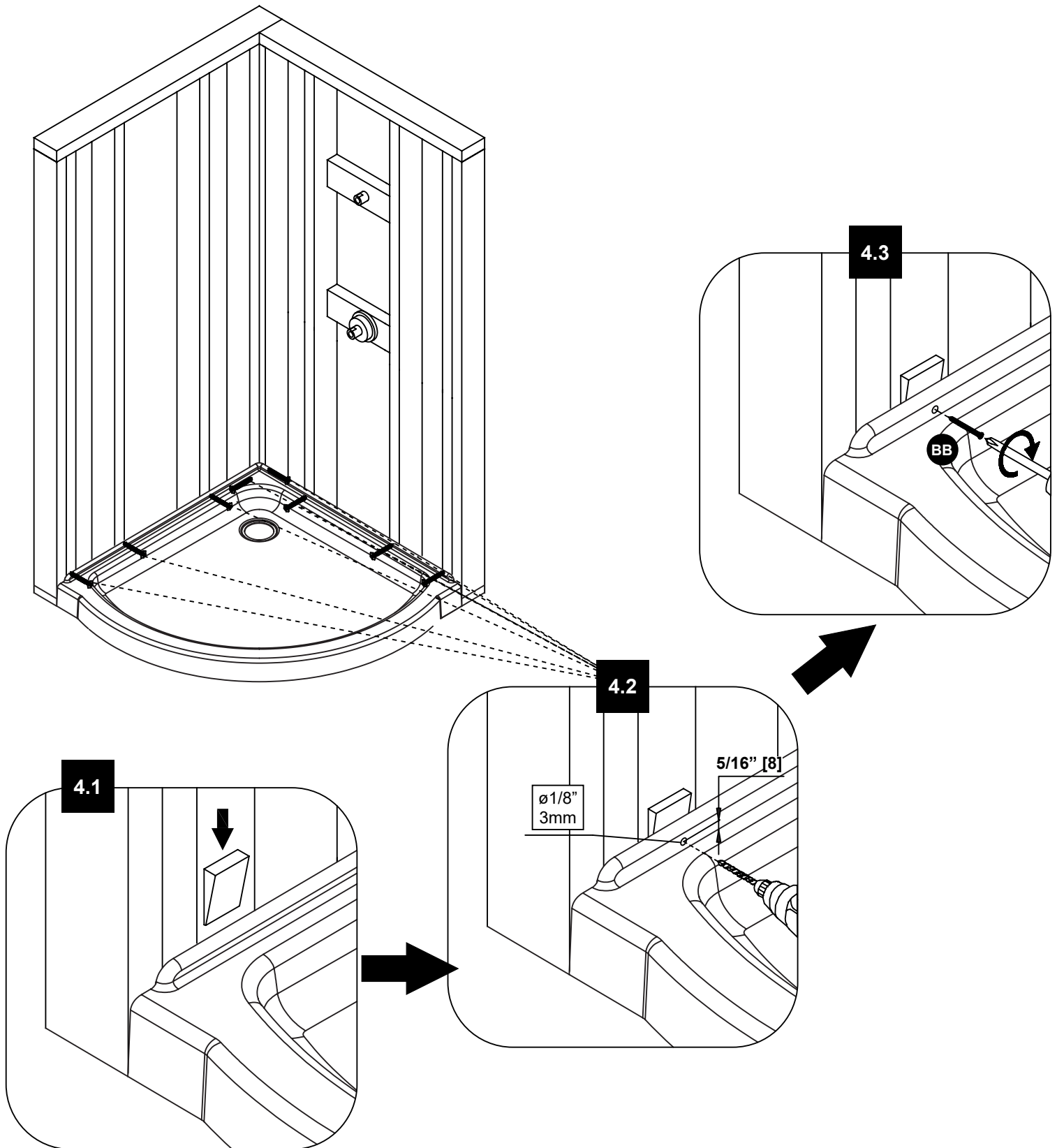
Polyethylene sheet 1/16" (2mm) thick

3.3

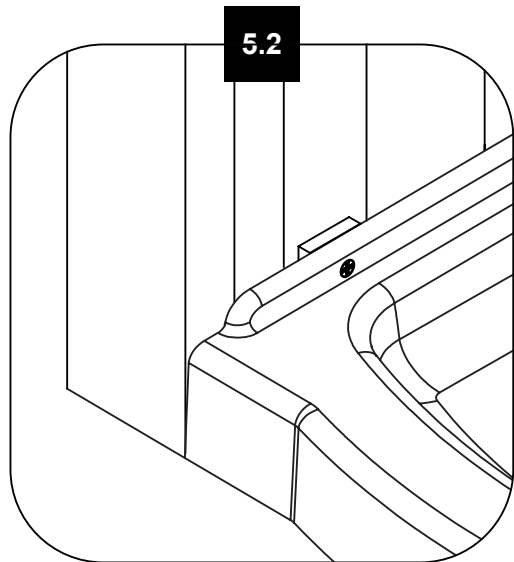
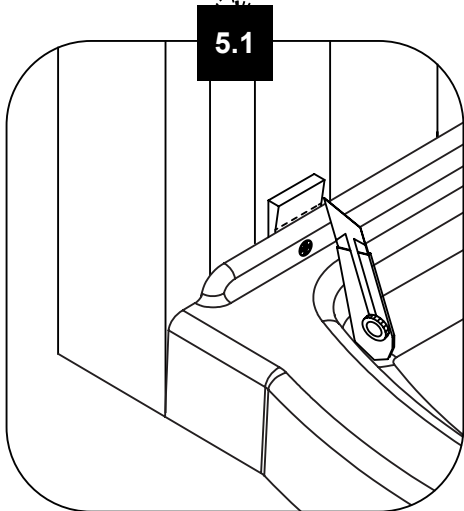
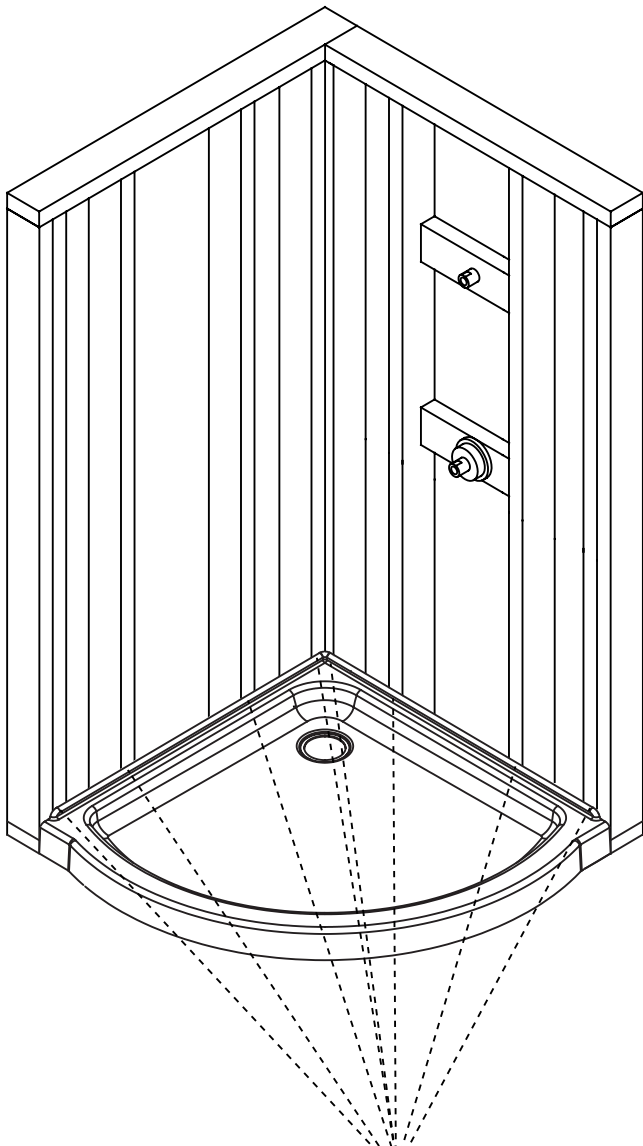


4.1. The shower base flange is slightly slopped by design. At the locations where you will screw the shower base to the studs, it is recommended that you use wood shims to fill the gap between the base flange and the studs.

4.2-4.3. Drill guide holes, and fix the shower base by screwing it to the studs. It is recommended that you screw 1 screw per stud, and aim for the center of the stud.



- 5.1. Cut the protruding part of the wood shims.
5.2. Let the cement dry for 24 hours before continuing.



BASE INSTALLATION (DRYWALLS)

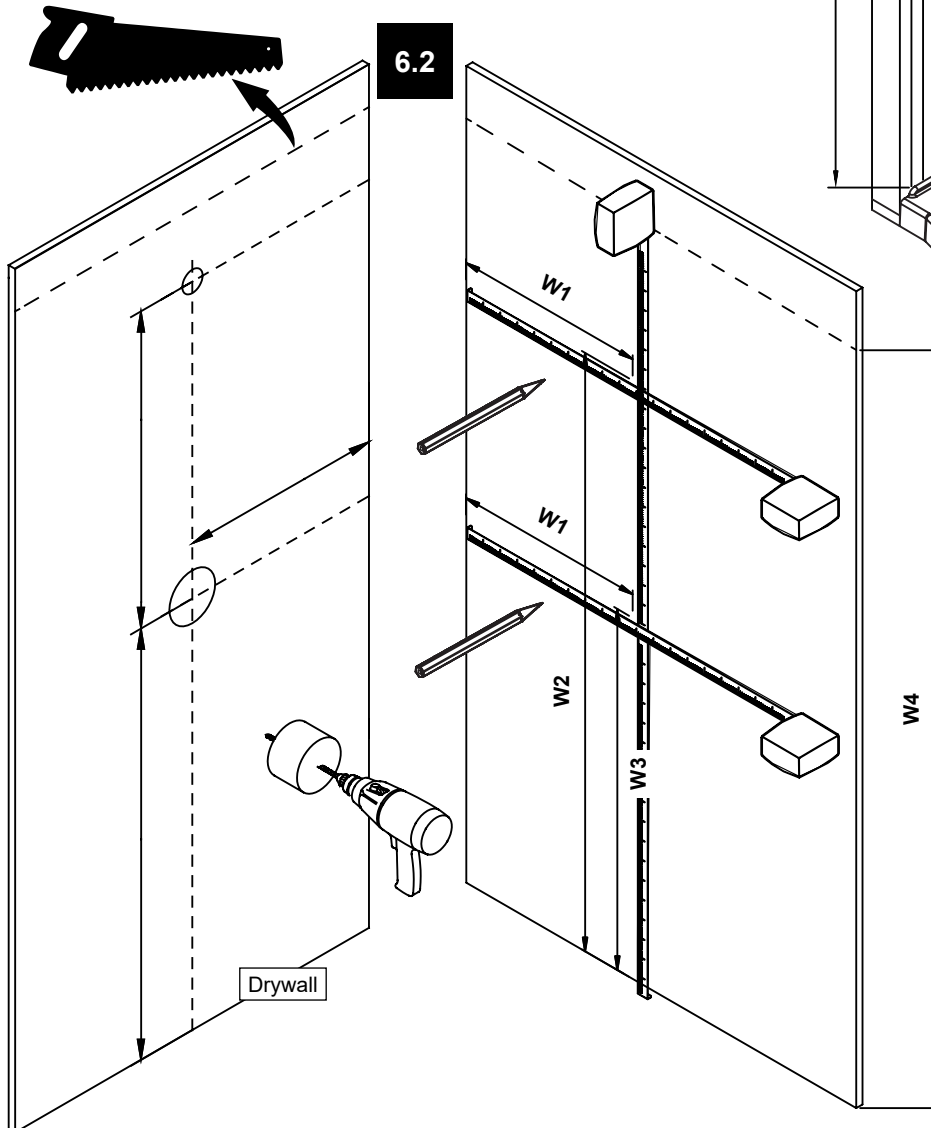
6.1. Measure the location of the existing shower valve and shower arm fitting in the wall, as illustrated by the measures W1, W2, W3 and W4 below.

6.2. Before installing your drywalls, drill holes at the measured locations for the existing plumbing on the wall. Use a hole saw drill bit to neatly cut through the drywall. Also cut the drywalls the to correct height.

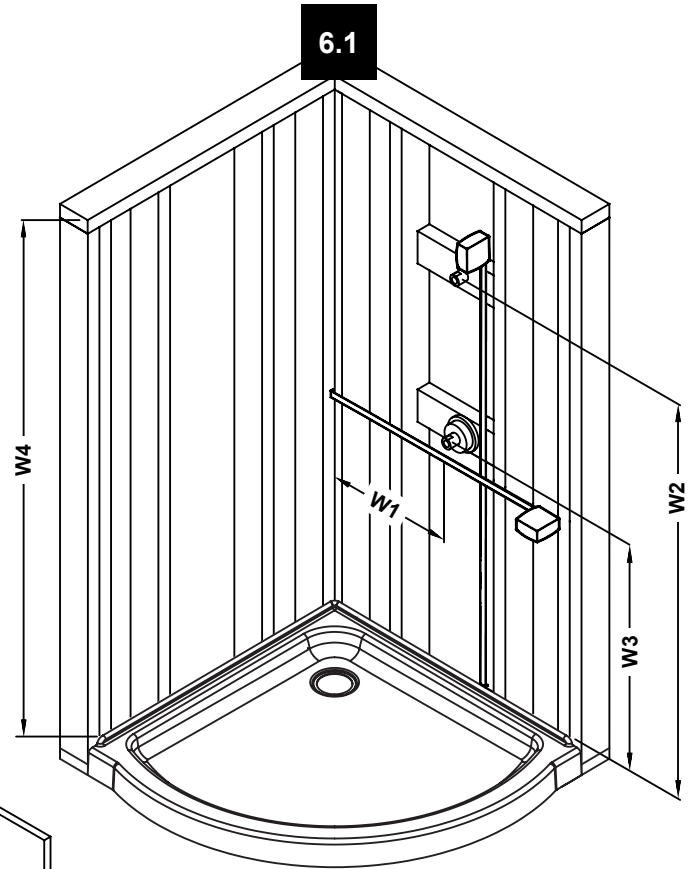
NOT SUPPLIED!

The studs, the drywalls and the drywall screws are not supplied.

6.2



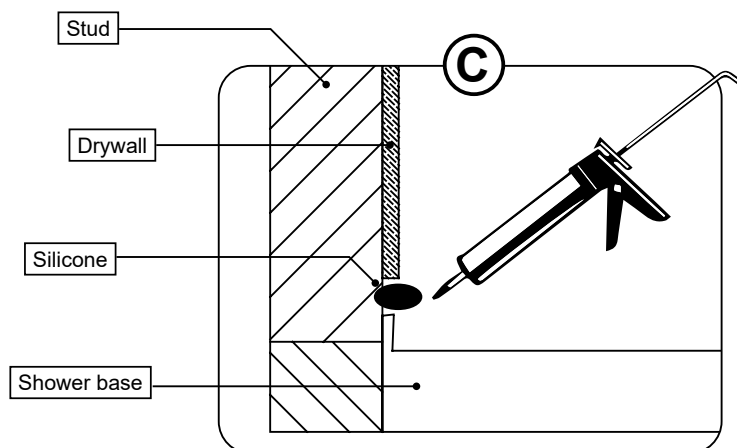
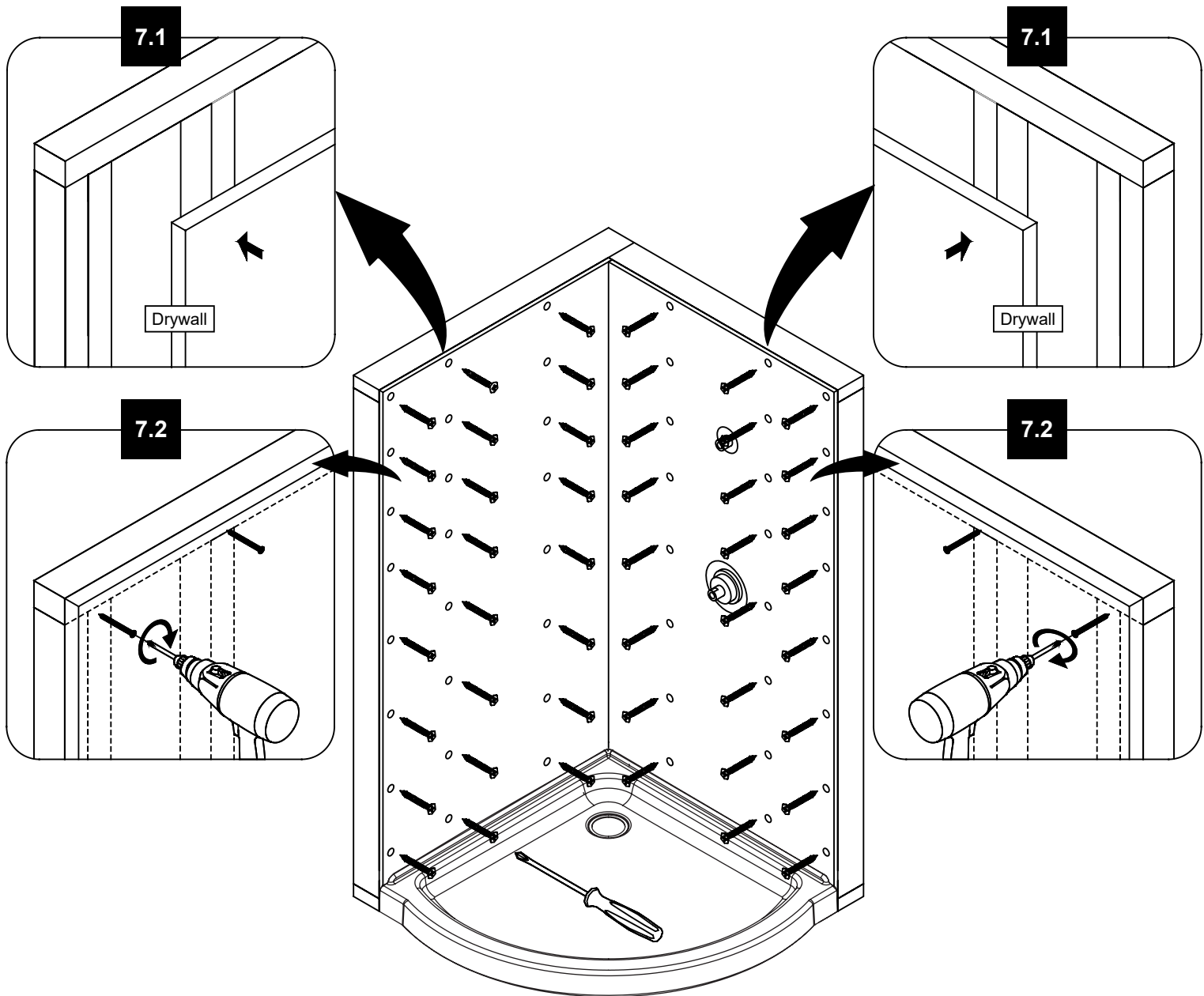
6.1

**HELPFUL HINT!**

A hole saw drill bit of the proper size can be rented at your local tool renting store.

7.1-7.2. Fix the drywalls to the studs using drywall screws. Follow the applicable building code requirements.

7.3. Note that the drywalls have to rest on top of the shower base flange, and sealed together with a bead of silicone.



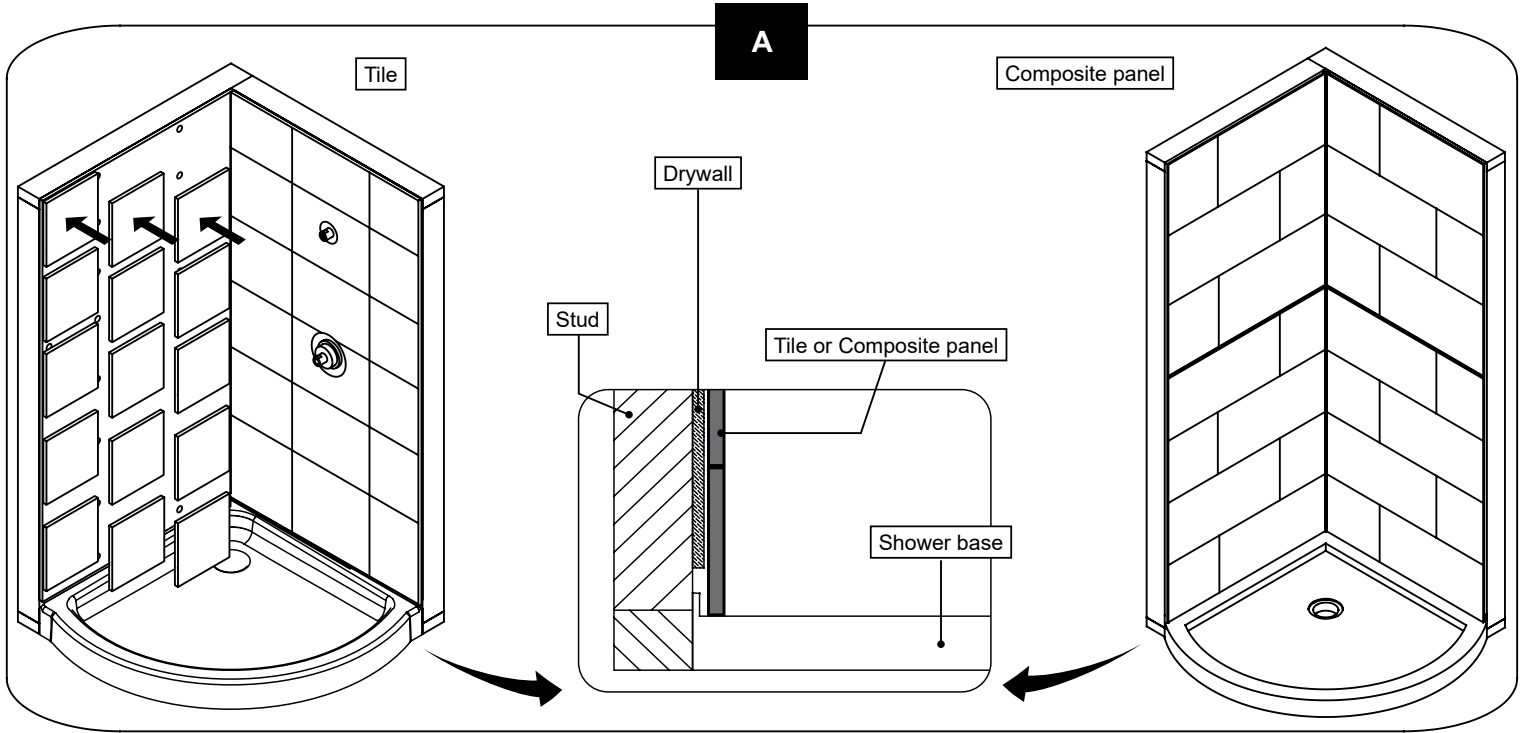


TILE OR SHOWER WALL INSTALLATION

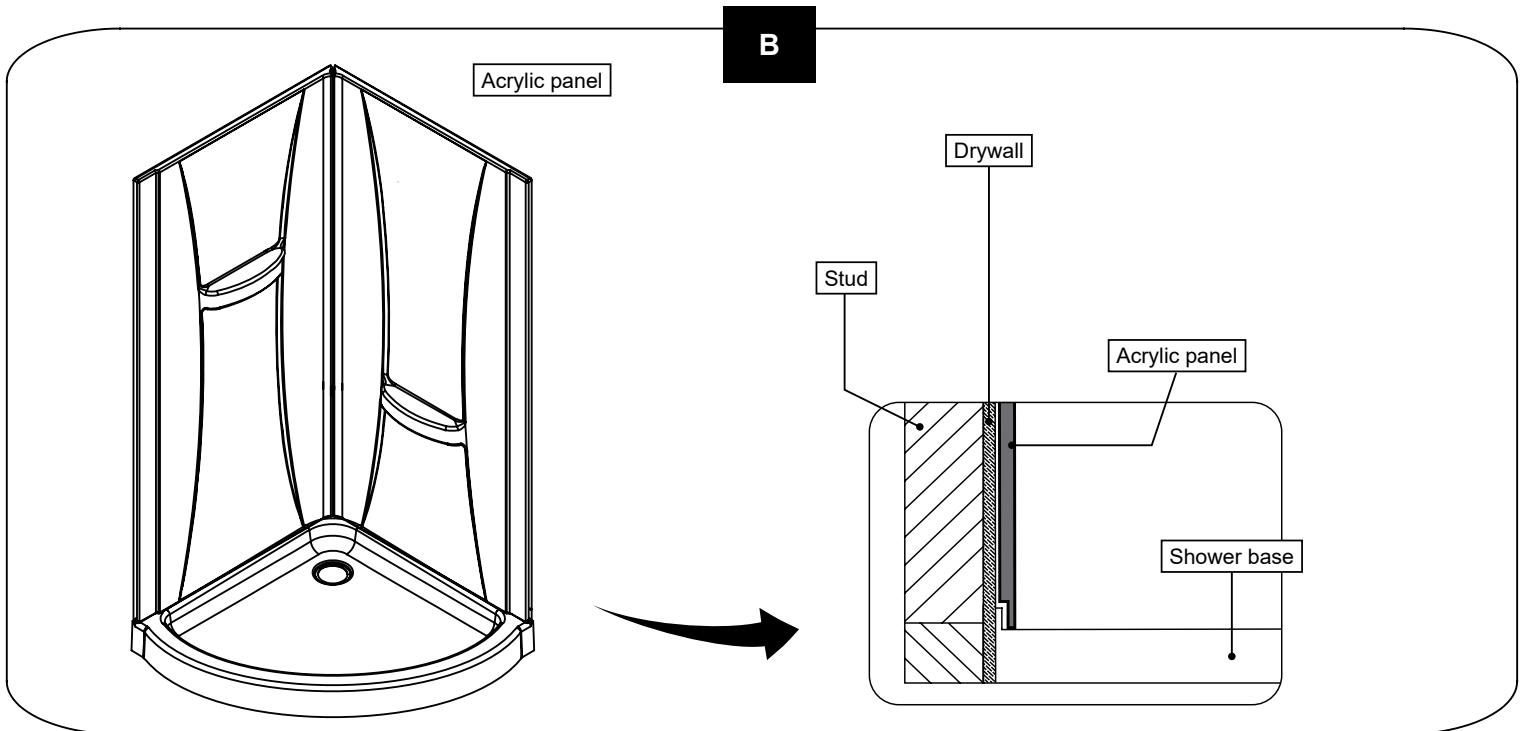


• If your walls are of tile or composite panels (**Option A**) continue to the next page. If you are using the provided Acrylic Panels, continue to (**Option B**) on page 25.
 Please see the images below for **OPTION (A)**, **OPTION (B)**.

Shower Kit: Shower Door + Shower Base



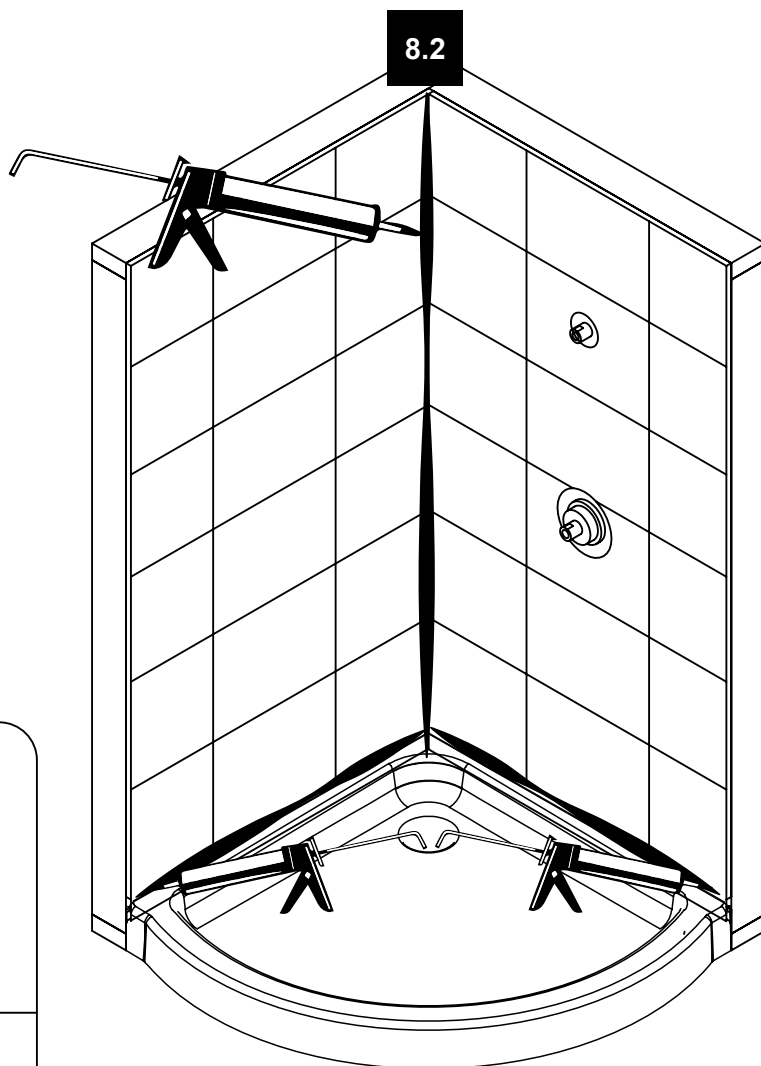
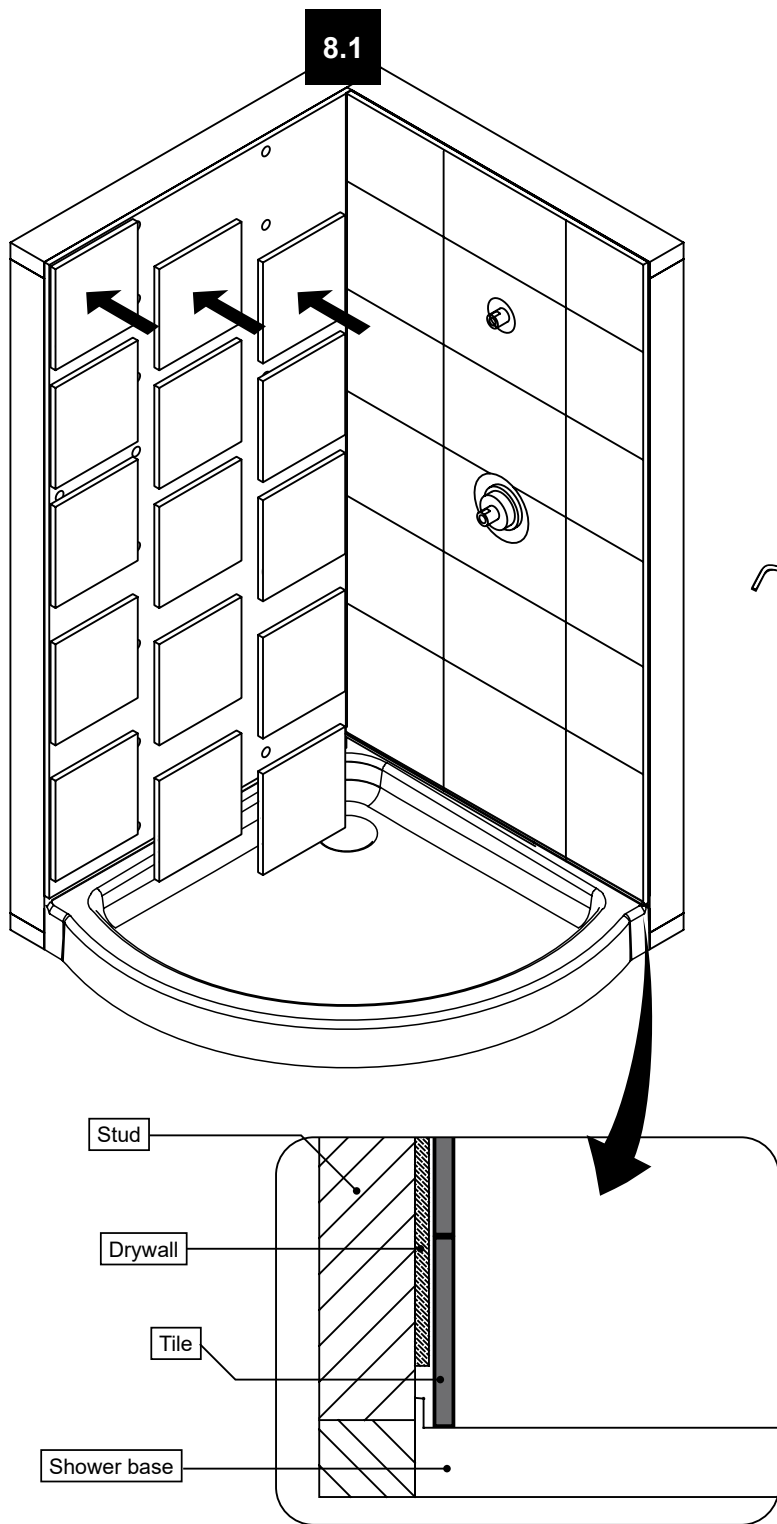
Shower Kit: Shower Door + Shower Base + Shower Wall



- 8.1. Install the tiles on your wall.
8.2. Seal all joints with silicone.



CONTINUE THIS INSTALLATION AT STEP#1 OF THE SHOWER ENCLOSURE INSTALLATION PAGE

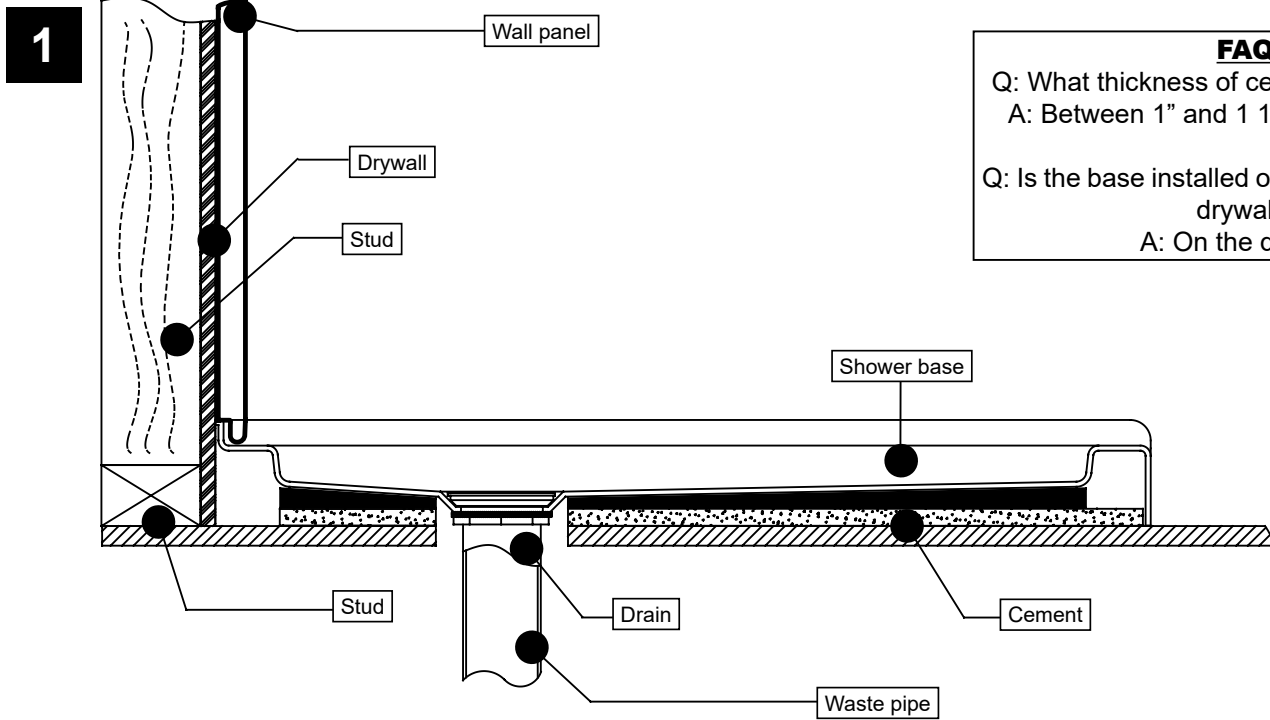


B

BASE INSTALLATION OVERVIEW (OPTION B)

1. Before you start the installation of your product consult the illustration 1 below showing a side-view of the completed installation.
2. Illustration 2 shows the recommended wall structure and measurements for the product installation.

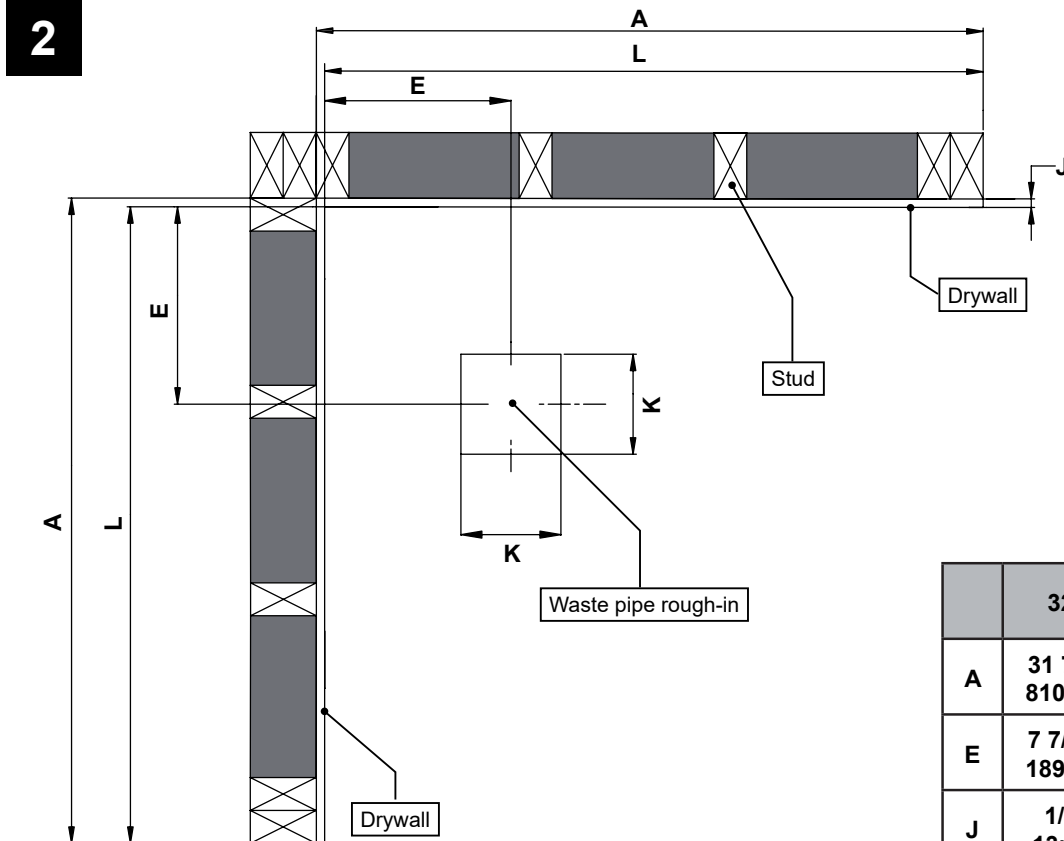
NOTE: Customer must follow and comply with the local and national building and plumbing codes. All illustrations in this manual are for reference only and do not take precedent on any code or regulation. It's recommended that this product be installed by a professional.



FAQ

Q: What thickness of cement must I apply?
A: Between 1" and 1 1/2" (2.5 to 3.8cm).

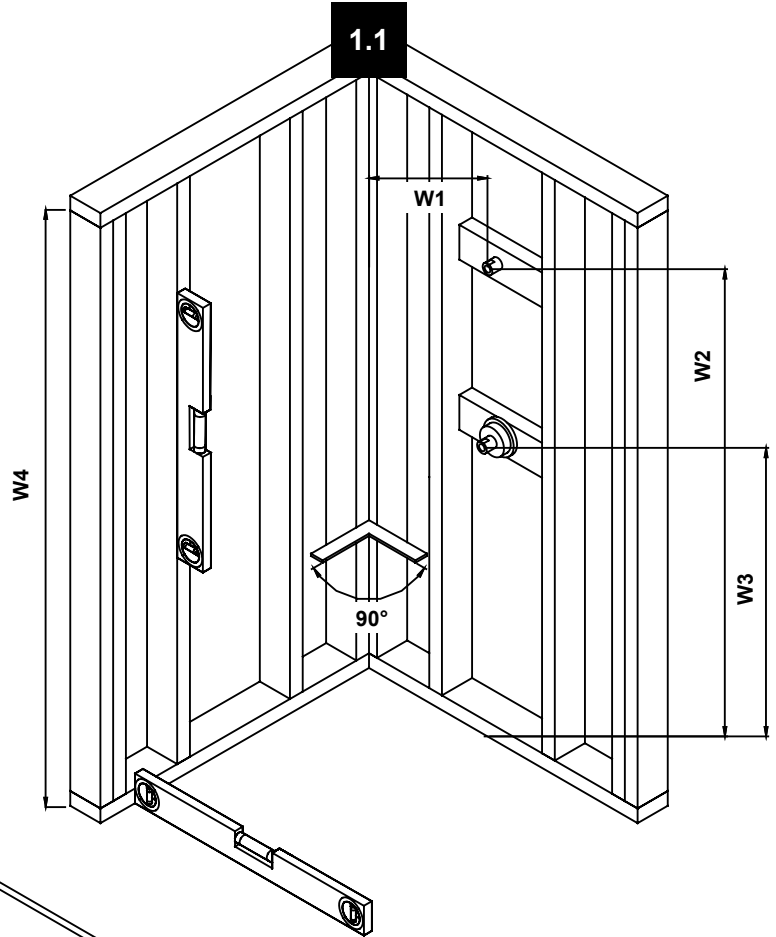
Q: Is the base installed on the studs or on the drywall?
A: On the drywall.



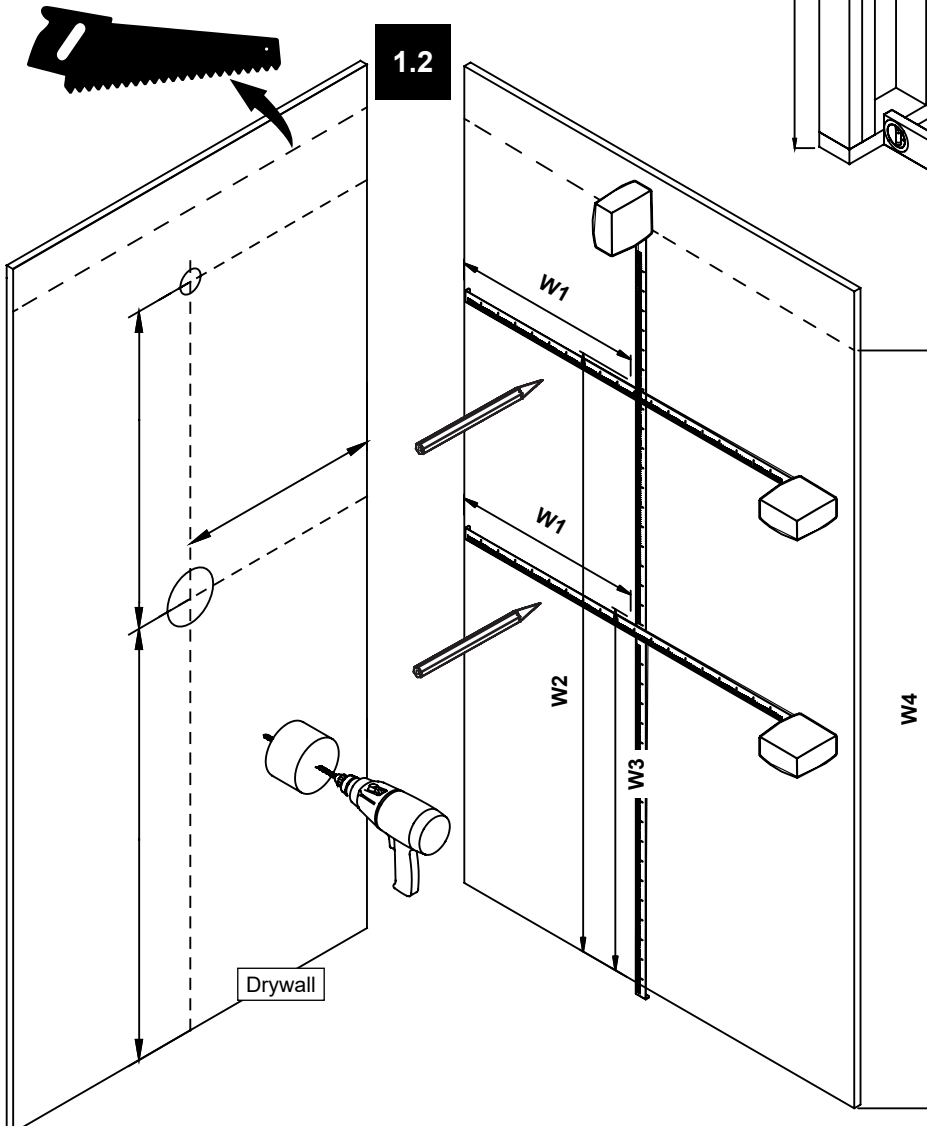
	32"	34"	36"	38"
A	31 7/8" 810mm	33 7/8" 860mm	35 15/16" 913mm	37 13/16" 960mm
E	7 7/16" 189mm	7 1/4" 184mm	12 3/8" 314mm	11 5/8" 296mm
J	1/2" 13mm	1/2" 13mm	1/2" 13mm	1/2" 13mm
K	6" 152mm	6" 152mm	6" 152mm	6" 152mm
L	31 9/16" 815mm	33 9/16" 865mm	35 1/2" 915mm	37 1/2" 965mm

BASE INSTALLATION (DRYWALLS)

- 1.1. Measure the location of the existing shower valve and shower arm fitting in the wall, as illustrated by the measures W1, W2, W3 and W4 below.
 1.2. Before installing your drywalls, drill holes at the measured locations for the existing plumbing on the wall. Use a hole saw drill bit to neatly cut through the drywall. Also cut the drywalls the to correct height.

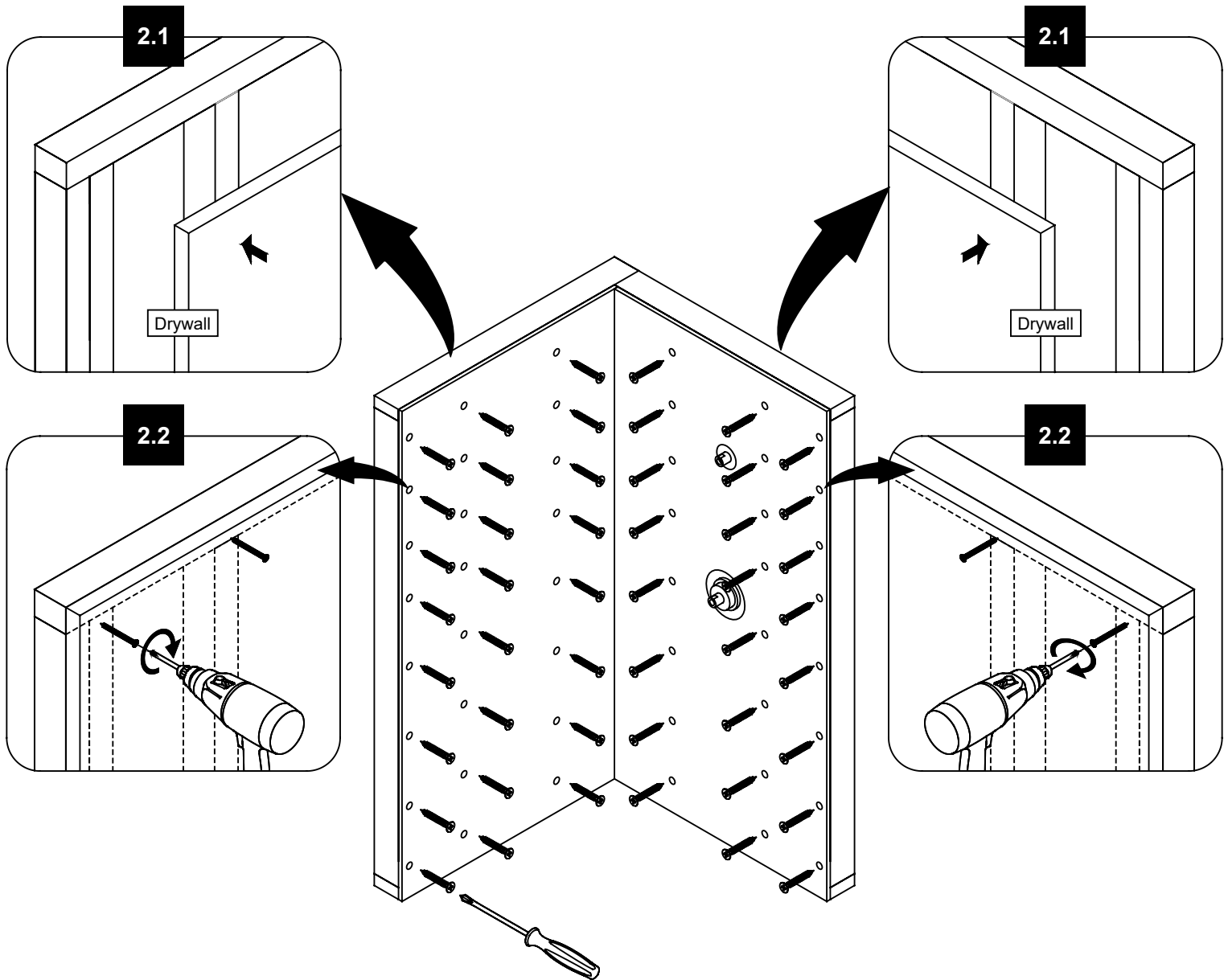


NOT SUPPLIED!
 The studs, the drywalls and the drywall screws are not supplied.

1.2

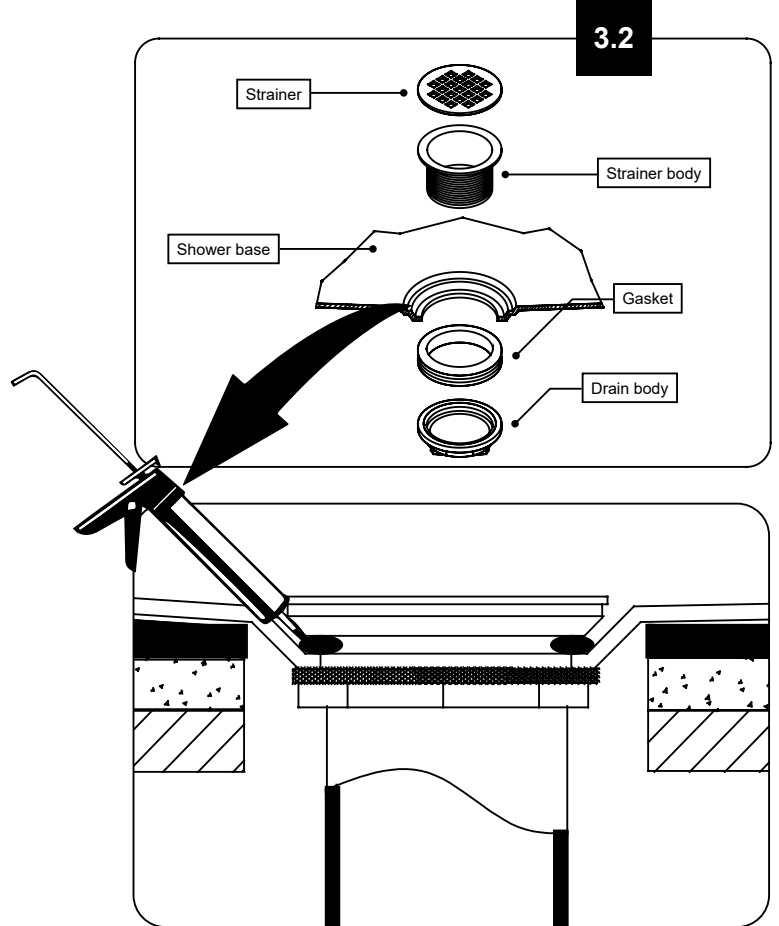
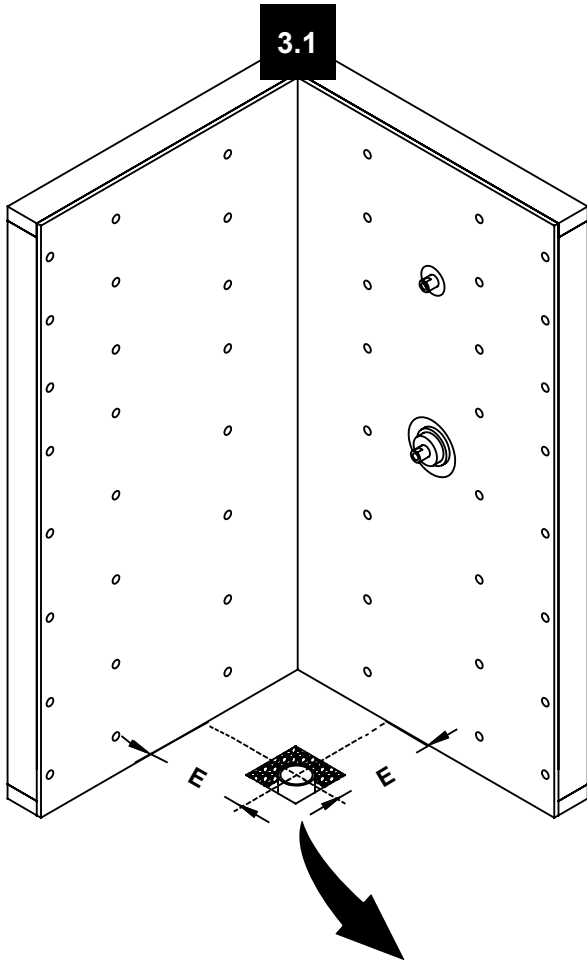
HELPFUL HINT!
 A hole saw drill bit of the proper size can be rented at your local tool renting store.

2.1-2.2. Fix the drywalls to the studs using drywall screws. Follow the applicable building code requirements.

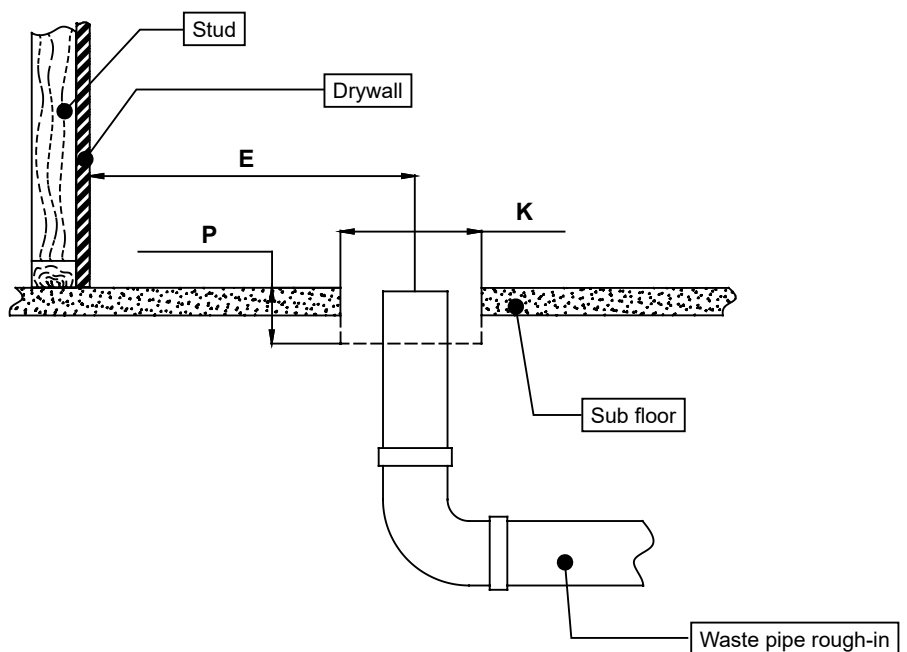


3.1. Ensure that the waste pipe plumbing is completed.

3.2. The shower drain is not supplied, these illustrations are for reference only. It is recommended that you review the drain installation from the manufacturer before continuing. Usually, the drain body must be sealed onto the waste pipe before continuing the base installation. Once the base installation is completed, the strainer body is screwed into the drain body. Apply silicone under the strainer body to reduce the risks of leakage.



	32"	34"	36"	38"
E	7 7/16" 189mm	7 1/4" 184mm	12 3/8" 314mm	11 5/8" 296mm
K	6" 152mm	6" 152mm	6" 152mm	6" 152mm
P	2 1/4" 57mm	2 1/4" 57mm	2 1/4" 57mm	2 1/4" 57mm



NOT SUPPLIED!
The shower drain and the waste pipe are not supplied.

- 4.1. Apply cement (1 in to 1 1/2 in [2.5 to 3.8cm] thick) within the traced contour of the shower base. This will help level the base in subsequent steps. The thickness of the cement layer varies depending on your floor.
- 4.2. Before setting the shower base onto the cement, it is recommended to cover the cement with a thin (2mm [1/16 in]) sheet of polyethylene. This will prevent the base from being permanently stuck to the cement, and allow for future adjustments if necessary.
- 4.3. Level the shower base.

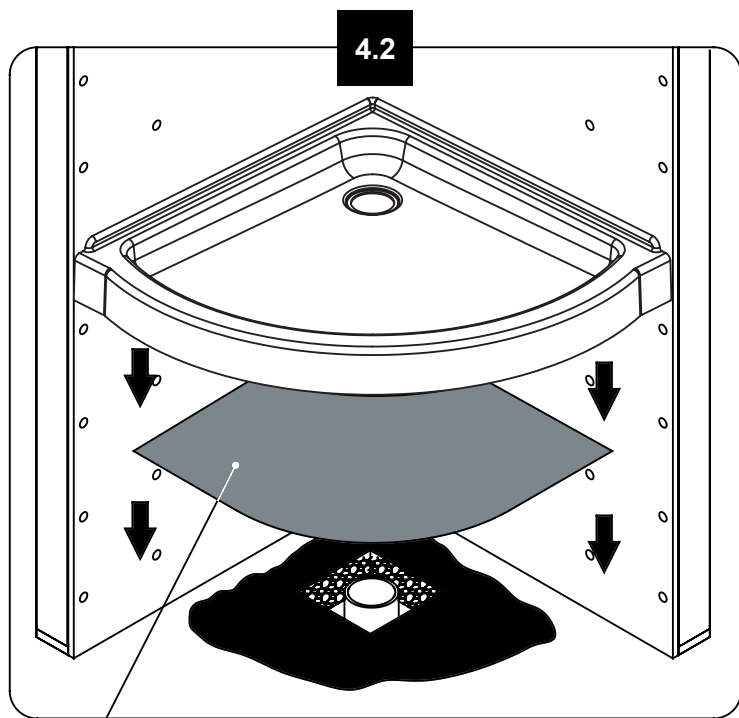
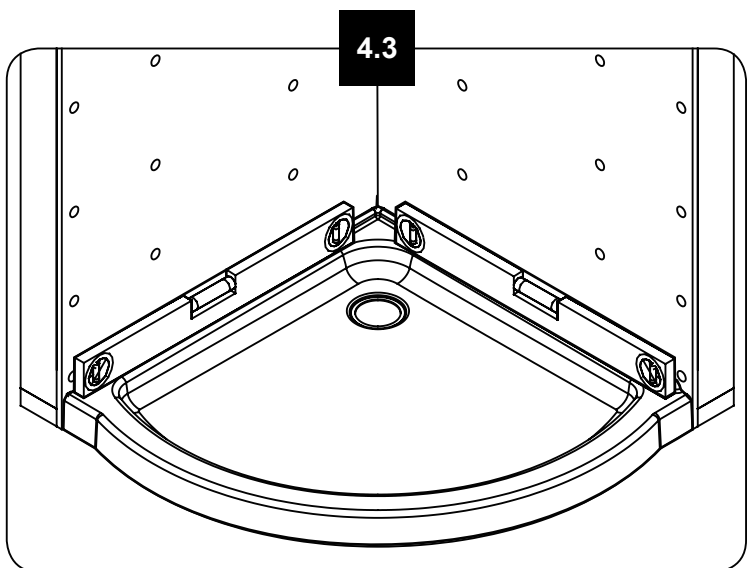
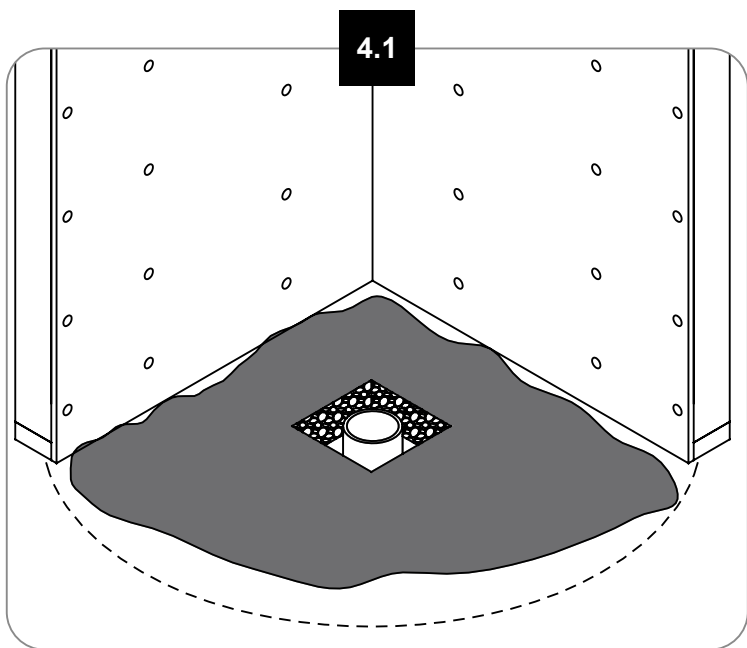
NOT SUPPLIED!

The cement and the polyethylene sheet are not supplied.

FAQ

Q: What thickness of cement must I apply?
A: Between 1" and 1 1/2" (2.5 to 3.8cm).

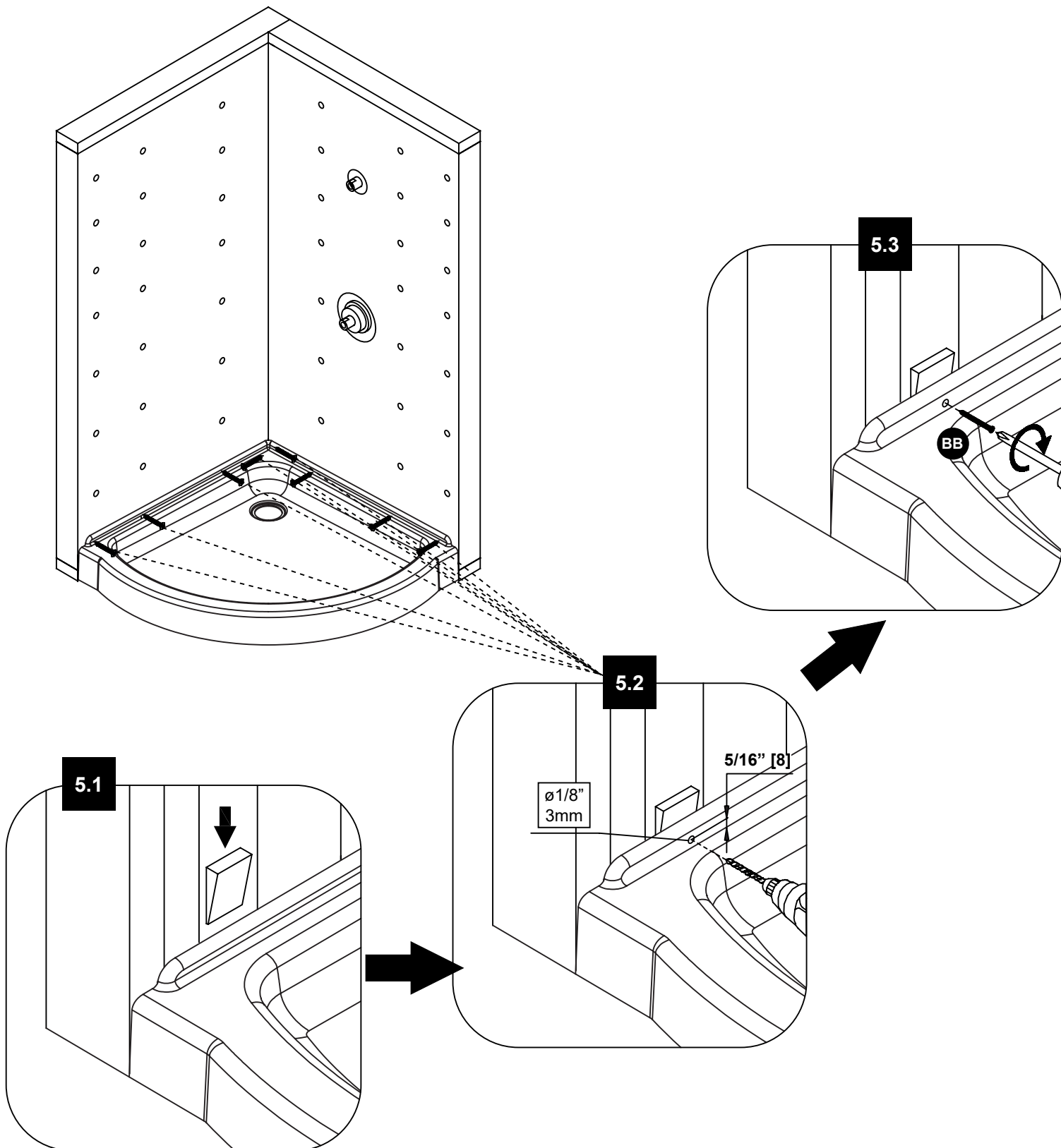
Q: Is the base installed on the studs or on the drywall?
A: On the drywall.



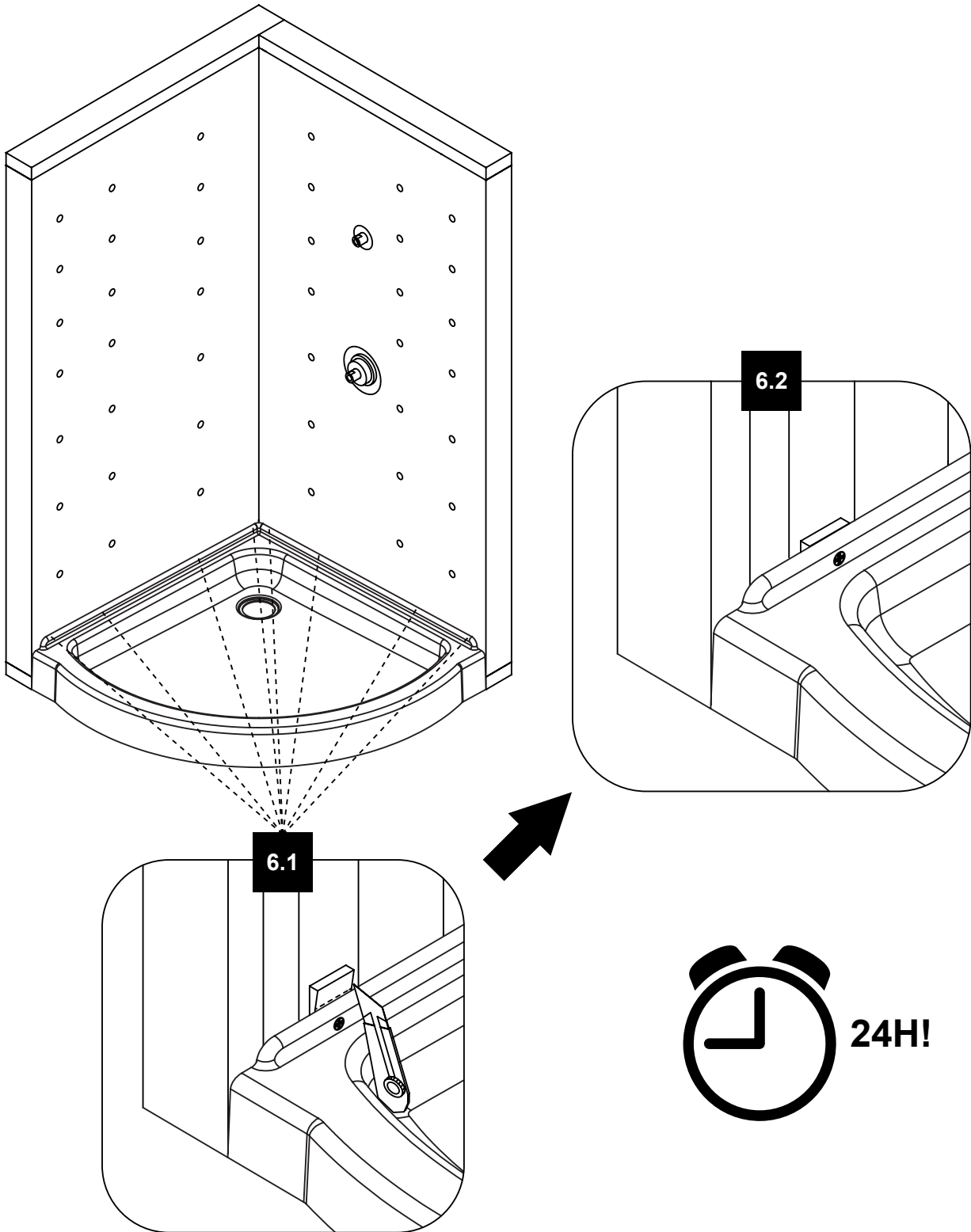
Polyethylene sheet 1/16" (2mm) thick

5.1. The shower base flange is slightly slopped by design. At the locations where you will screw the shower base to the studs, it is recommended that you use wood shims to fill the gap between the base flange and the studs.

5.2-5.3. Drill guide holes, and fix the shower base by screwing it to the studs. It is recommended that you screw 1 screw per stud, and aim for the center of the stud.



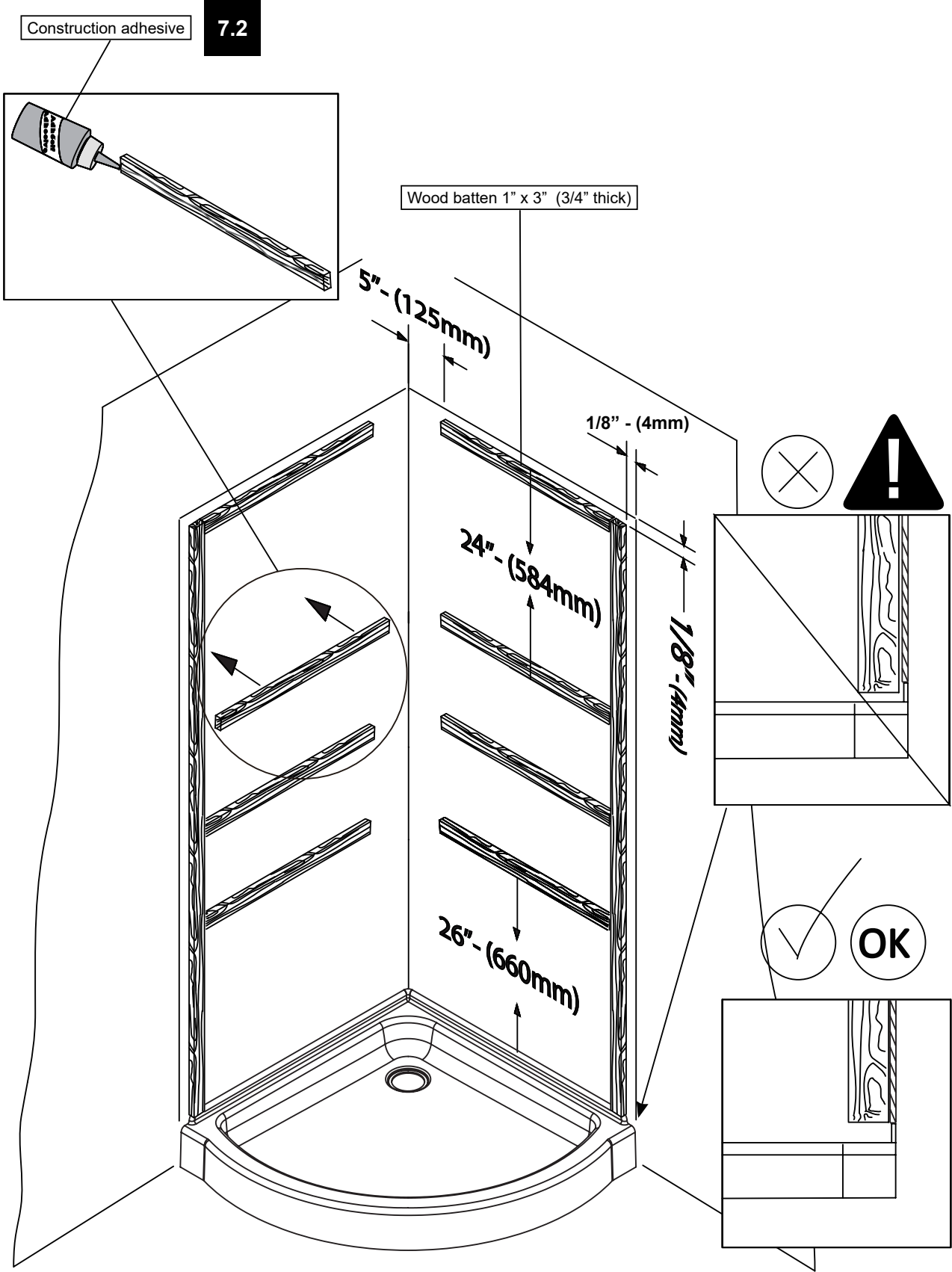
- 6.1. Cut the protruding part of the wood shims.
6.2. Let the cement dry for 24 hours before continuing.



ACRYLIC WALL PANELS INSTALLATION

B 7

7.1 Prepare 1x3 wood batten following the design based on the shower base size.
7.2 Install the wood batten as illustrated using construction adhesive; alternatively, using construction screws or nails to install the wood battens. Make sure the vertical piece is seating on top of the shower flange level.

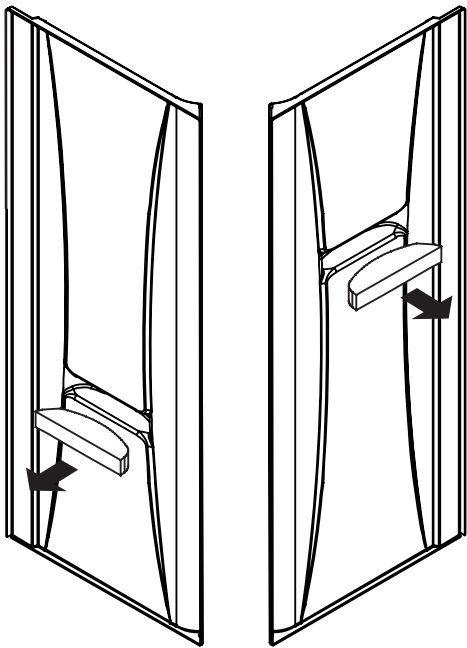


- 8.1. Remove the tape from the back of the wall panels (E, F), take out the 2 pieces of shelf support foam (G) from the wall panels (E, F).
8.2. Apply tub surround adhesive at the rounded edge of each piece of shelf support foam (G), firmly push the shelf support foam (G) back into the wall panels until they are flush with the back of the wall panels.
8.3. Apply tub surround adhesive at the back of the shelf support foam (G).

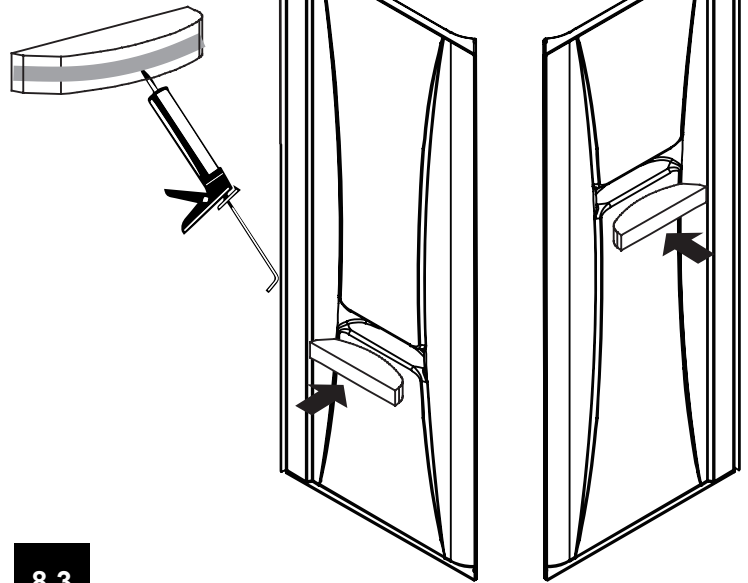


CONSTRUCTION ADHESIVE MUST BE USED, DO NOT USE SILICONE! APPLY GENEROUSLY, UP TO 5 TUBE MAY BE NEEDED.

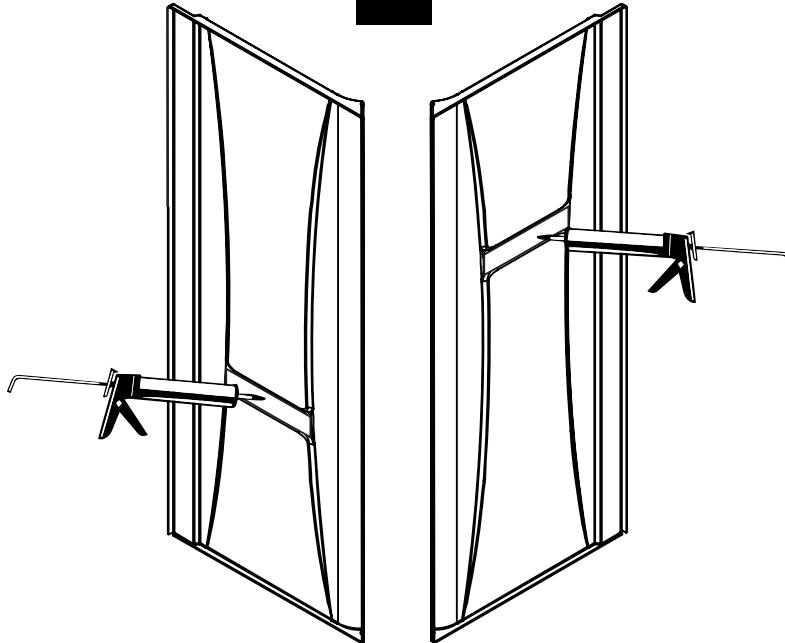
8.1



8.2



8.3



B 9

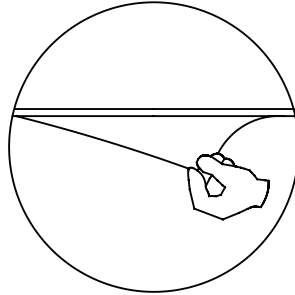
ACRYLIC WALL PANELS INSTALLATION

NOTE: Remove the protective film from wall panels before installation.

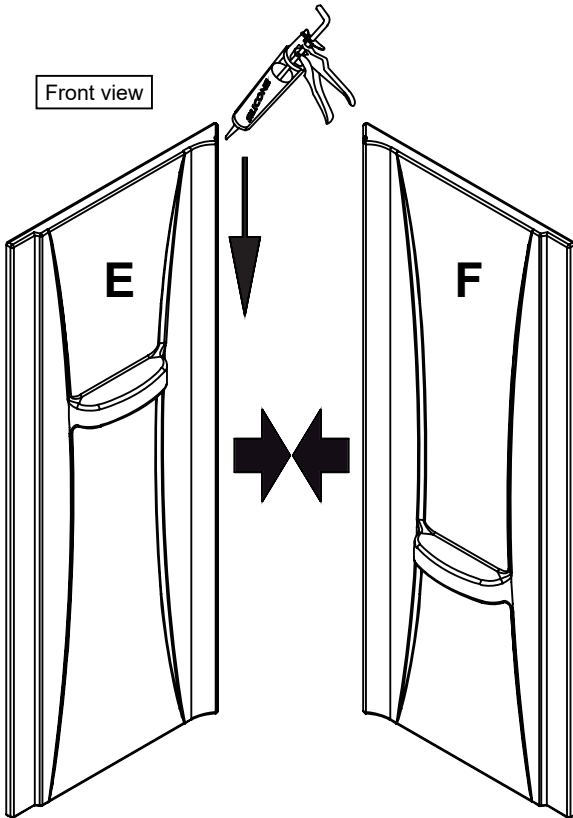
9.1 Apply a silicone bead along the groove of the left wall panel.

9.2 Behind the wall panels, leaving a 1" (25mm) clearance from the top and the bottom of the wall panels, drill 9 equidistant holes using a 3/16" (5mm) drill bit to join the two walls panels.

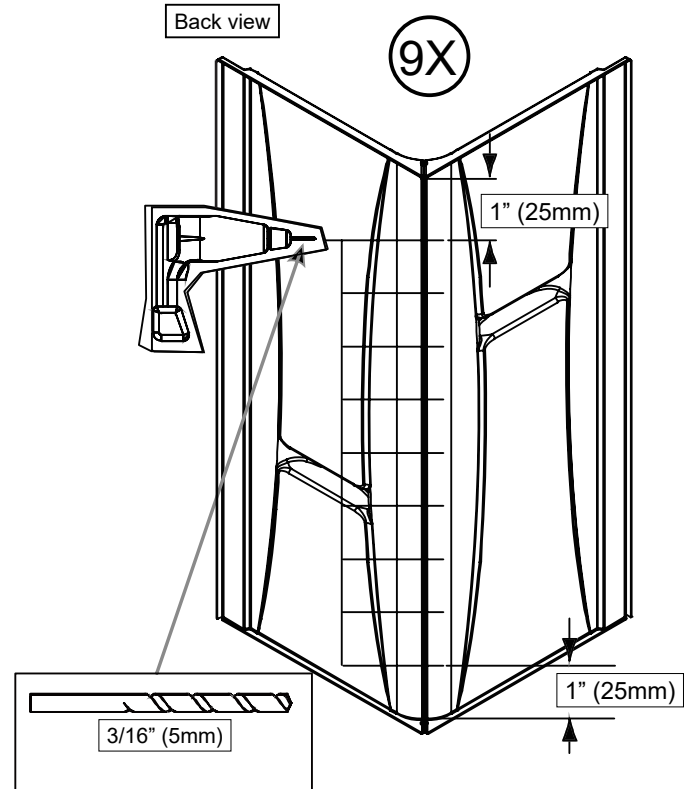
NOTE:
Remove the protective film from wall panels before installation.



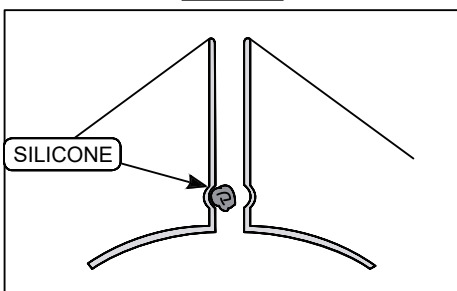
9.1



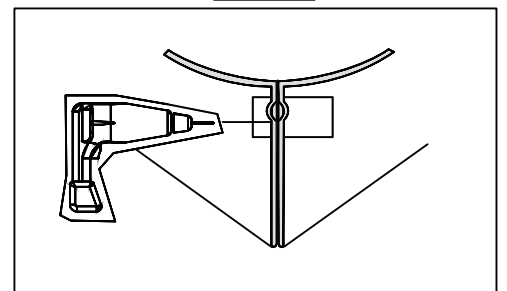
9.2



Top view

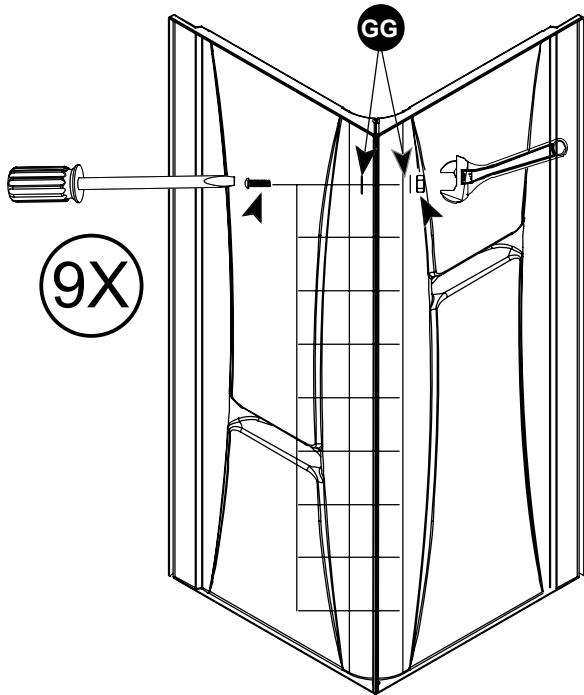


Top view

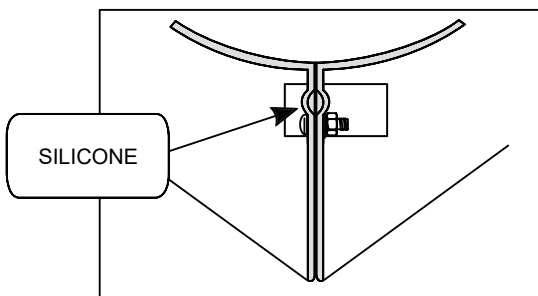


10.1. Tightly screw the wall panels together with the bolts, washers, and nuts (GG).

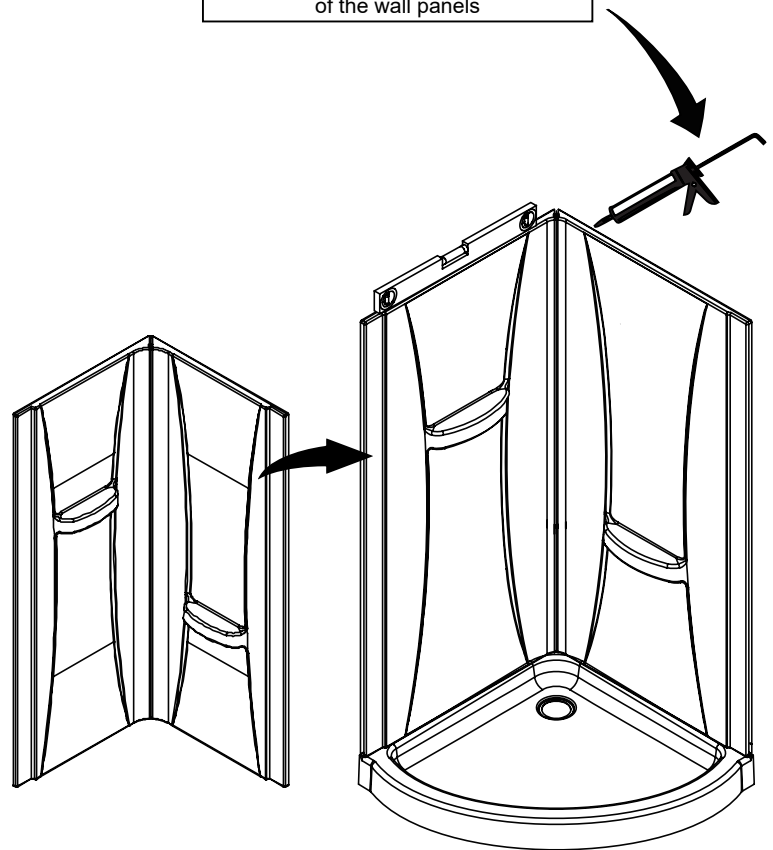
10.2. Firmly push the wall panels (E & F) onto the drywalls and wood batten support. Ensure that the wall panels are flush with the shower base edge. Apply silicone around the acrylic shower wall edges.

10.1

Top view

**10.2**

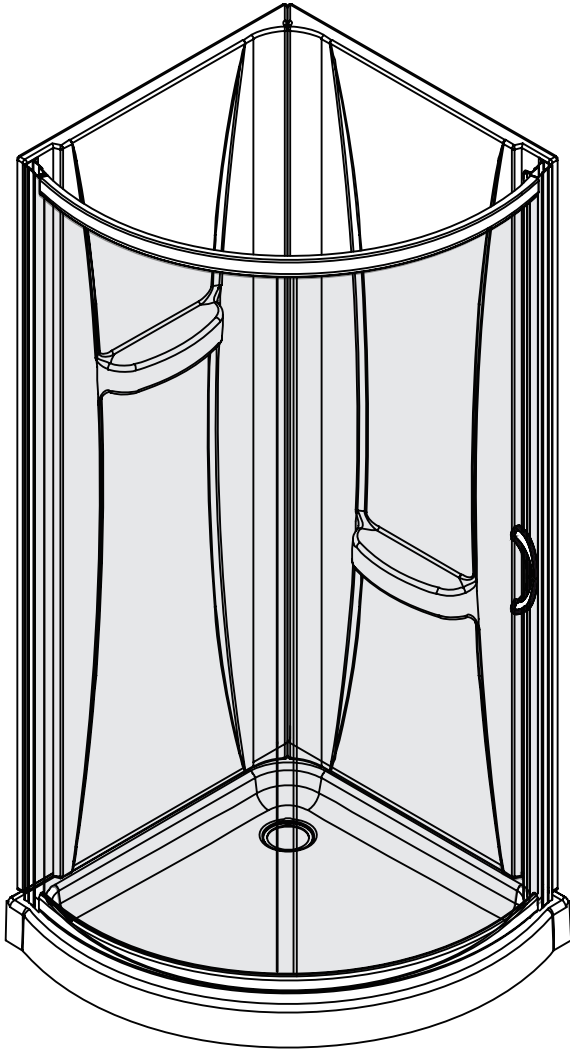
HELPFUL HINT!
Add silicone on the top and side edges
of the wall panels



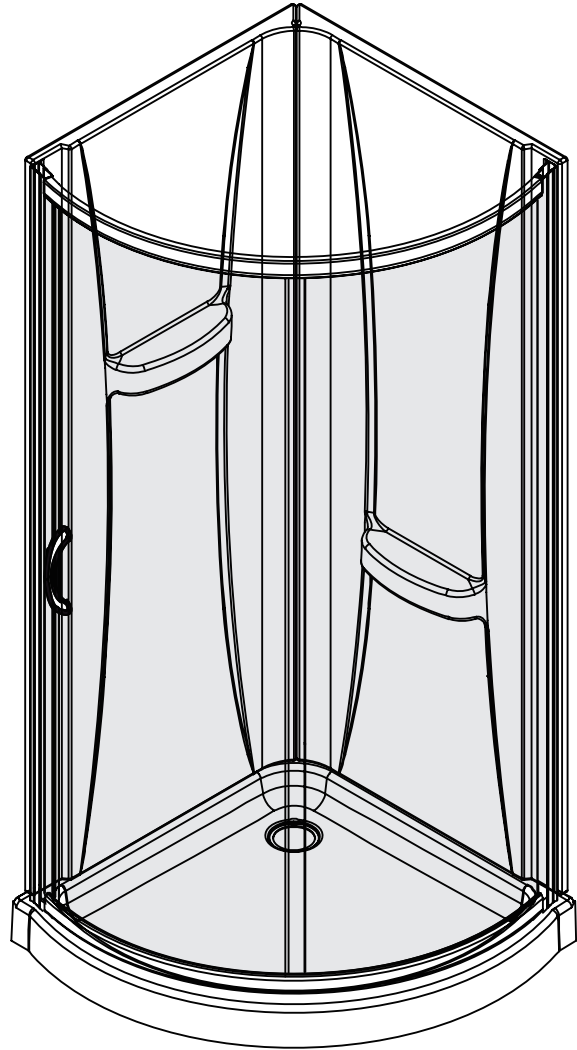
SHOWER DOOR INSTALLATION OVERVIEW



In this installation the acrylic wall panel (Option B) figure is only used for the installation reference



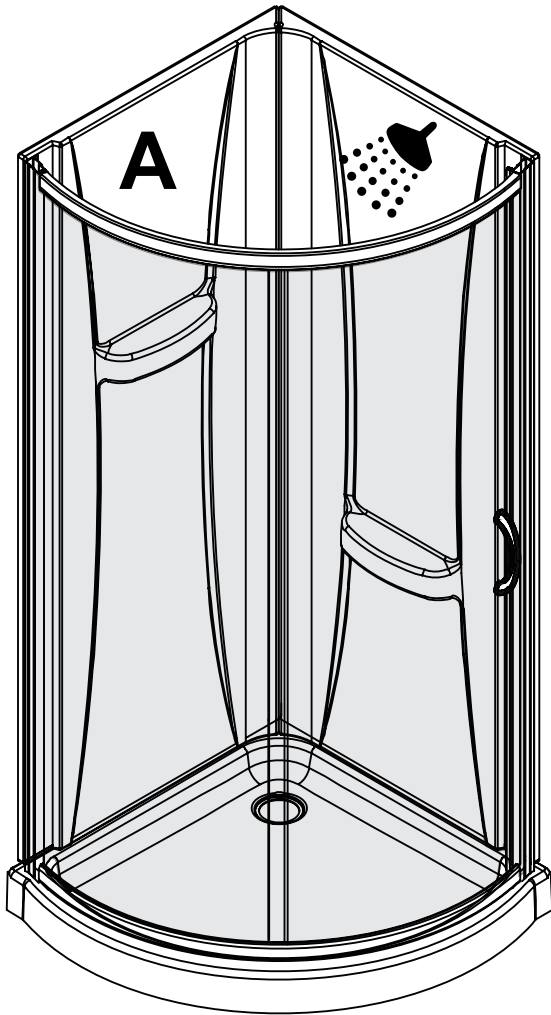
SHOWER DOOR INSTALLATION
FIXED PANEL ON THE LEFT HAND SIDE



SHOWER DOOR INSTALLATION
FIXED PANEL ON THE RIGHT HAND SIDE

PREPARATION

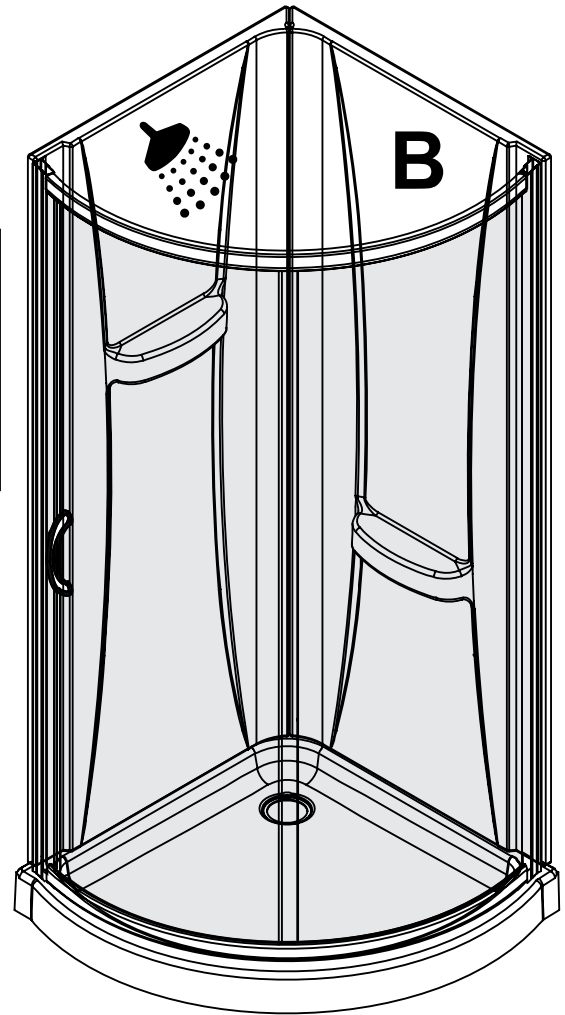
This instruction is drawn up for a door opening from right to left (**see illustration A**).
For an installation for a door opening from left to right (**see illustration B**), use the same instructions, but switch around the panels: mirror effect.



FAQ

Q: If the shower head is installed on the other wall, will it leak?

A: It is possible to install your shower head on the other side, but we strongly recommend to install it as illustrated.

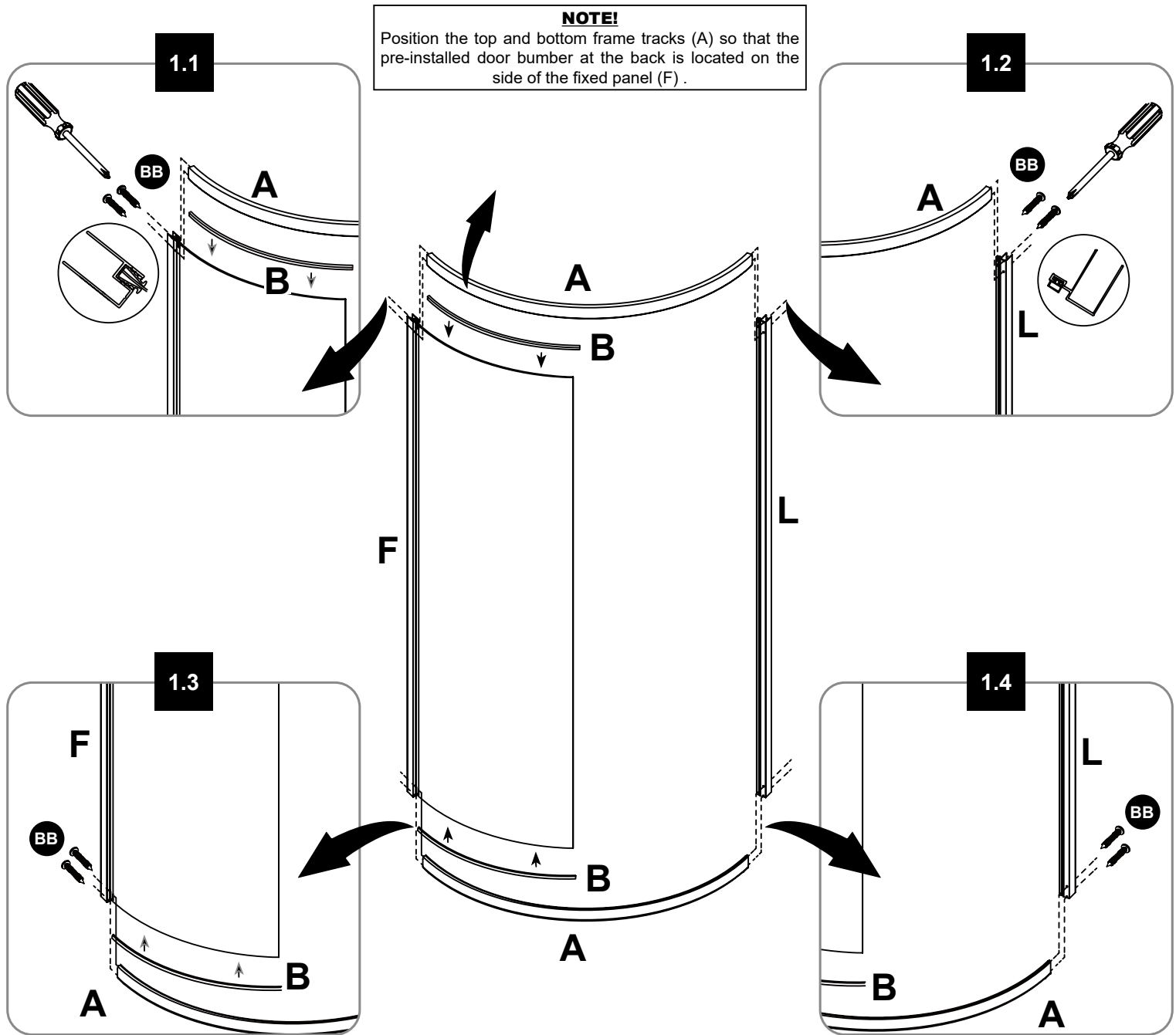


Install the shower head on the door's side as shown in the illustration! This will reduce the risk of leaking.

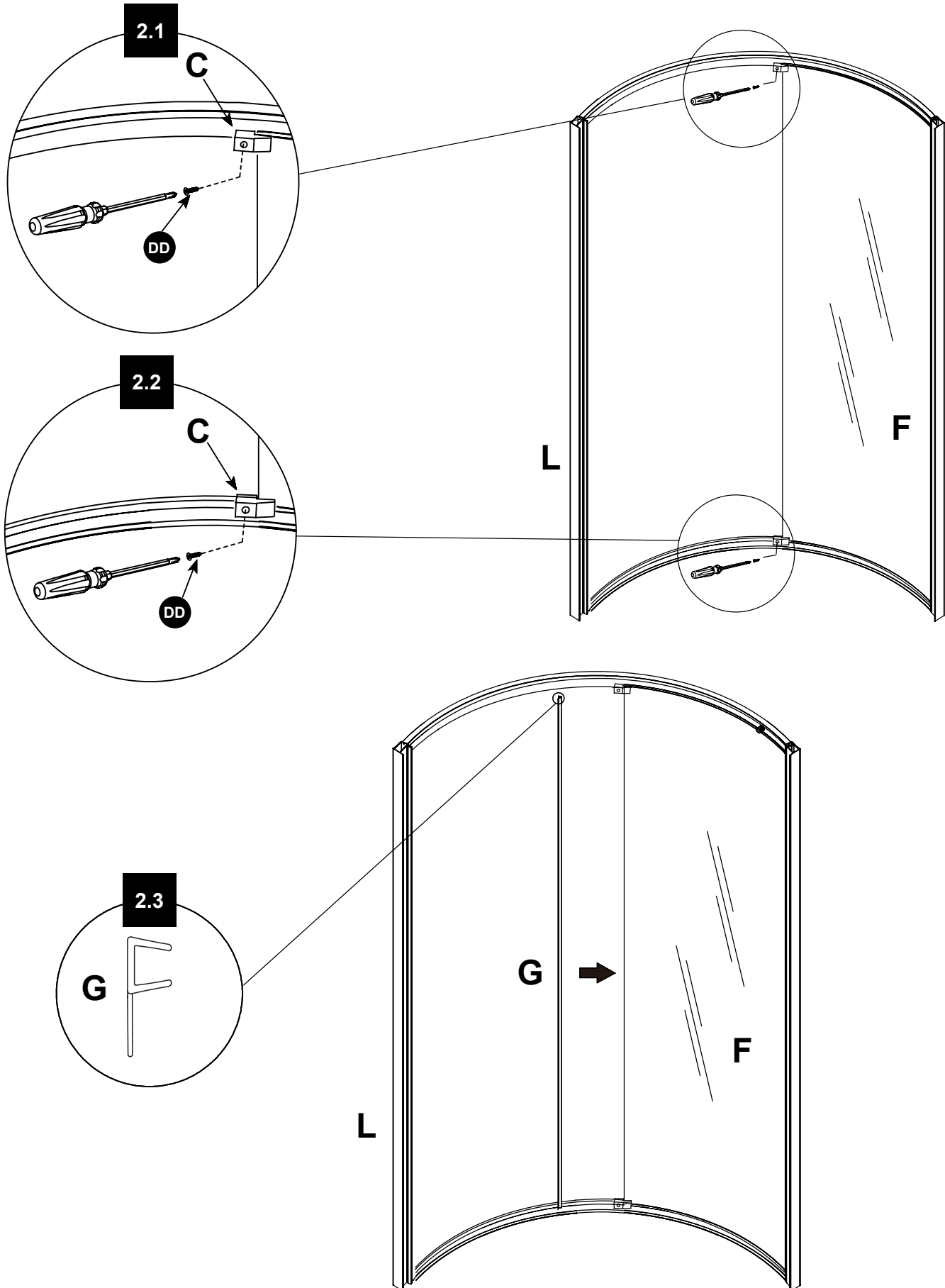
1

FRAME INSTALLATION

- 1.1. Insert the fixed panel seal strip (B) on top of the fixed panel (F). Screw the top left side of fixed panel (F) to the frame track (A) using screws (BB).
- 1.2. Screw the top right side of the door track (L) to the frame track (A) using screws (BB).
- 1.3. Insert the fixed panel seal strip (B) on bottom of the fixed panel (F). Screw the bottom left side of fixed panel (F) to the frame track (A) using screws (BB).
- 1.4. Screw the bottom right side of the door track (L) to the frame track (A) using screws (BB).



- 2.1-2.2. Secure the fixed panel (J) to the frame by using the clamps (C). Attach the clamps (C) using the screws (DD).
- 2.3. Insert the fixed panel seal strip (G) onto the fixed panel (F).

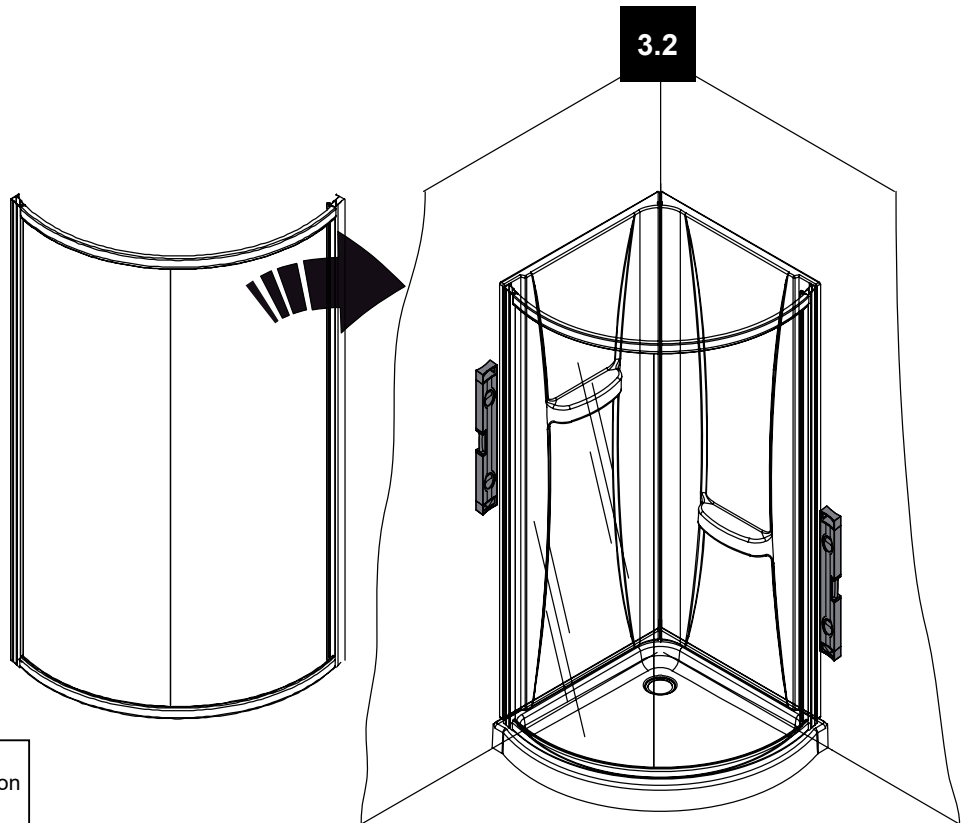
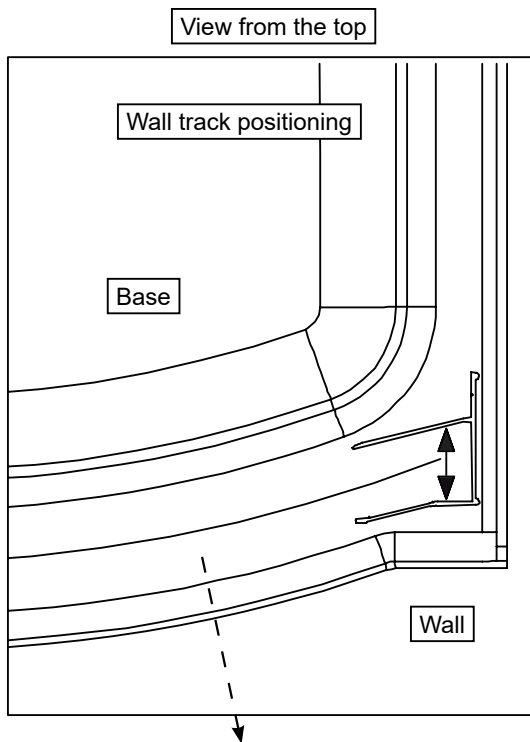
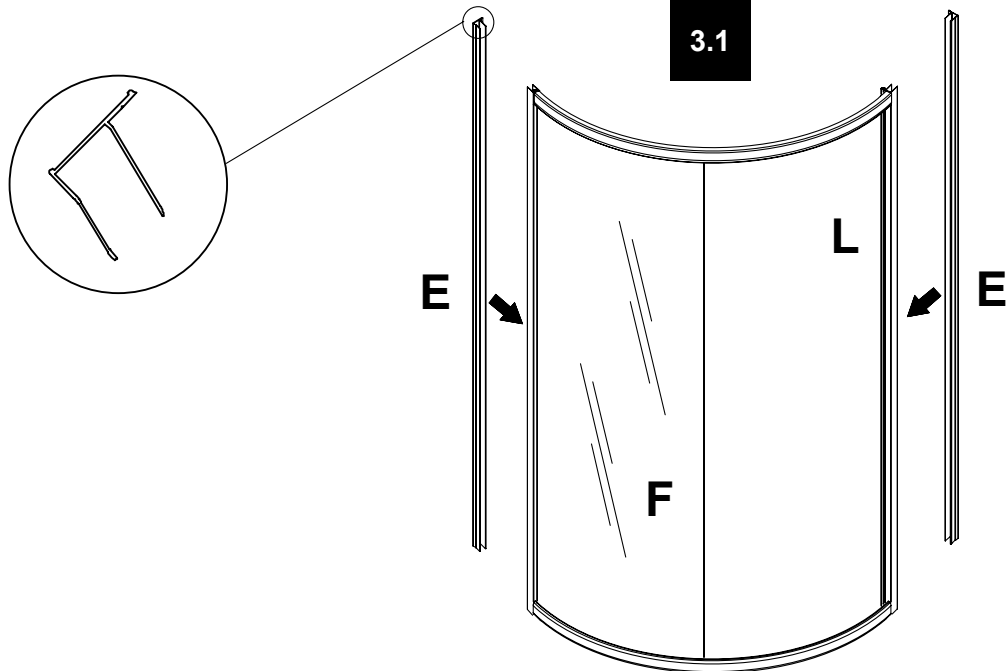


3

WALL TRACK AND SHOWER FRAME INSTALLATION

3.1. Insert the wall tracks (E) onto the sides of the assembled frame. Do not screw in the wall track at this step.

3.2. Take the assembled shower frame and gently put it onto the installed shower base. Ensure that all leveled. Position the frame such as the center of the wall track will be located on the center line of the shower base, as illustrated below.



WARNING!

The center of the wall track as shown, must be located on the center of the shower base edge

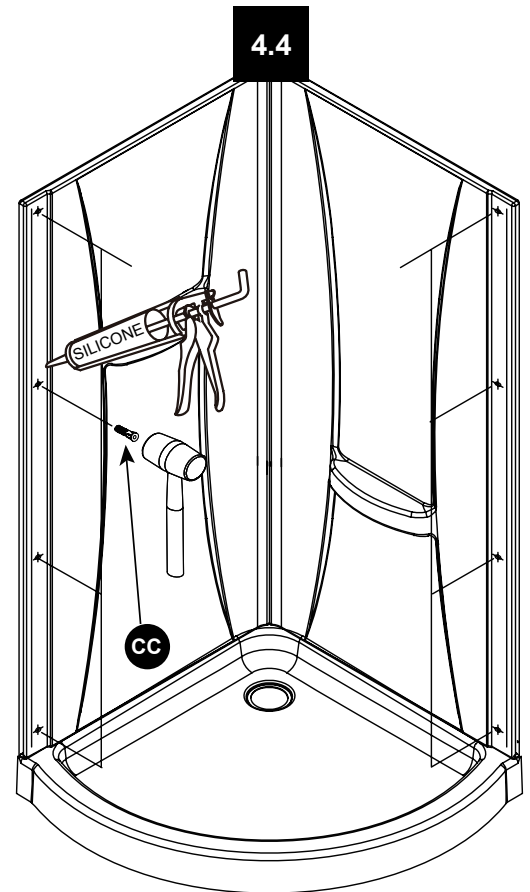
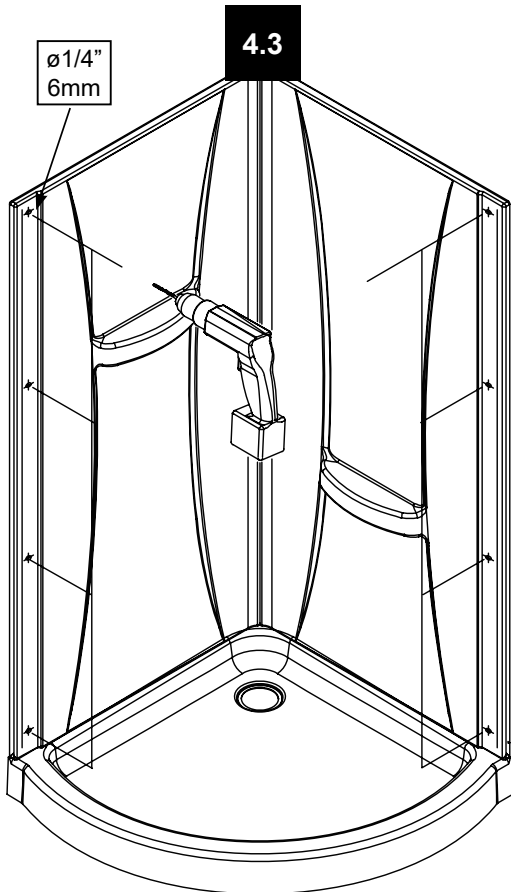
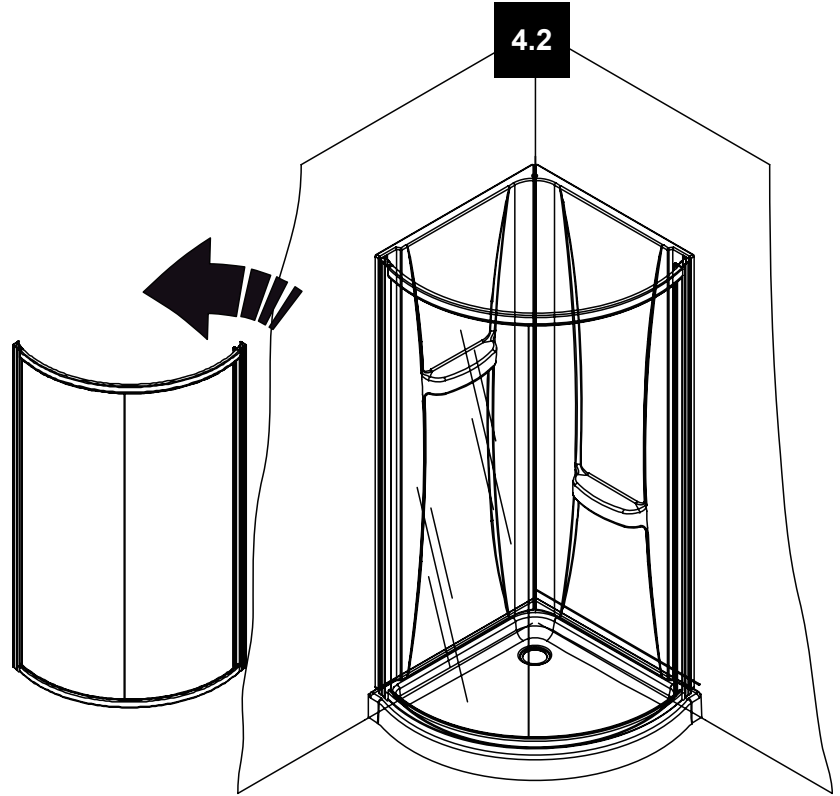
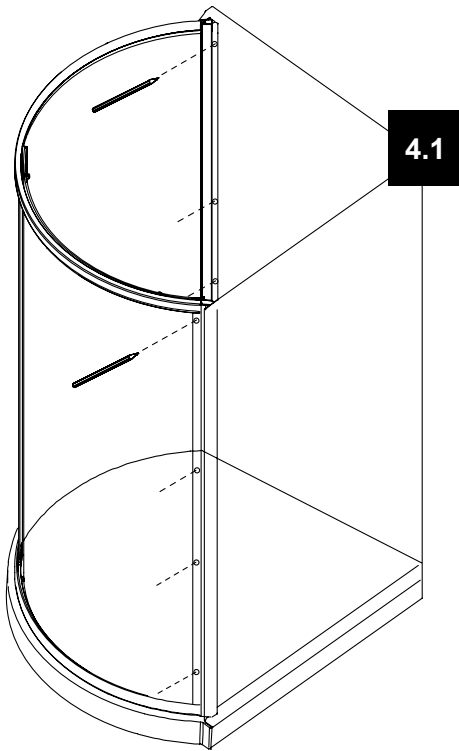
4

SHOWER FRAME INSTALLATION

4.1-4.2. Mark the pre-drilled holes of the wall tracks (E) onto the wall, and then remove the assembled shower frame from the base.

4.3. Using a $\text{\textcircled{1}}/4''$ (6mm) drill bit, drill guide holes at the marked location.

4.4. Insert the wall anchors (CC) using a rubber mallet until the wall anchors are flush with the wall.



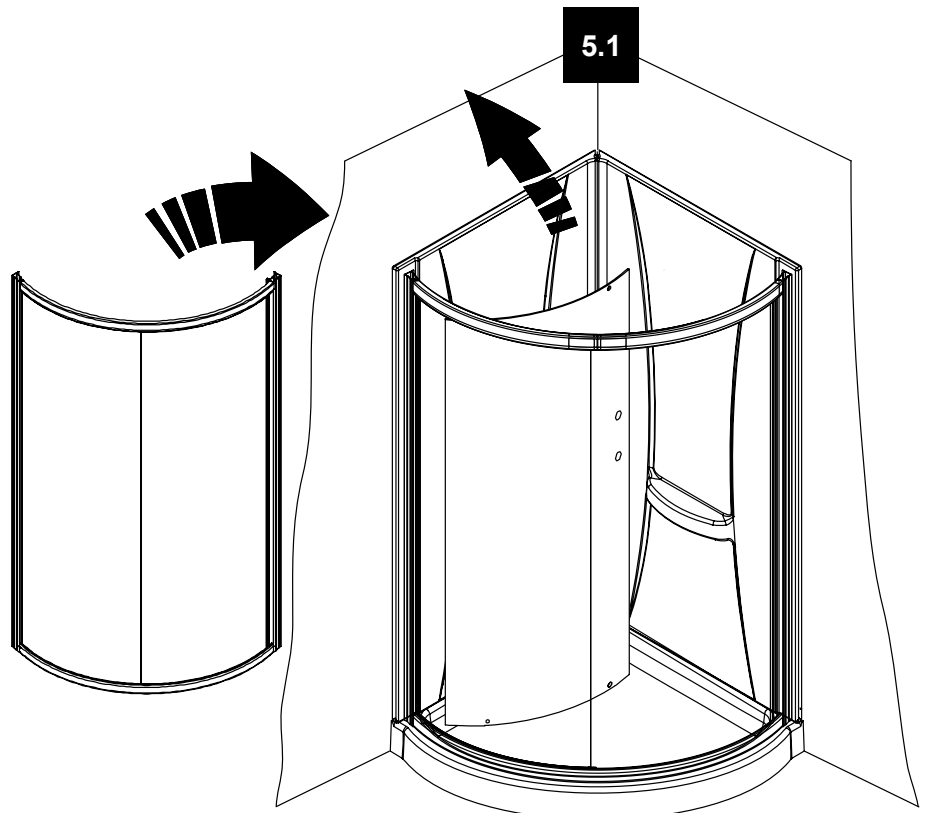
WARNING!
If there are no studs aligned to the wall track behind the drywall, use the wall anchors to ensure the screws won't become loose.

5.1. Put the assembled shower frame back onto the base.

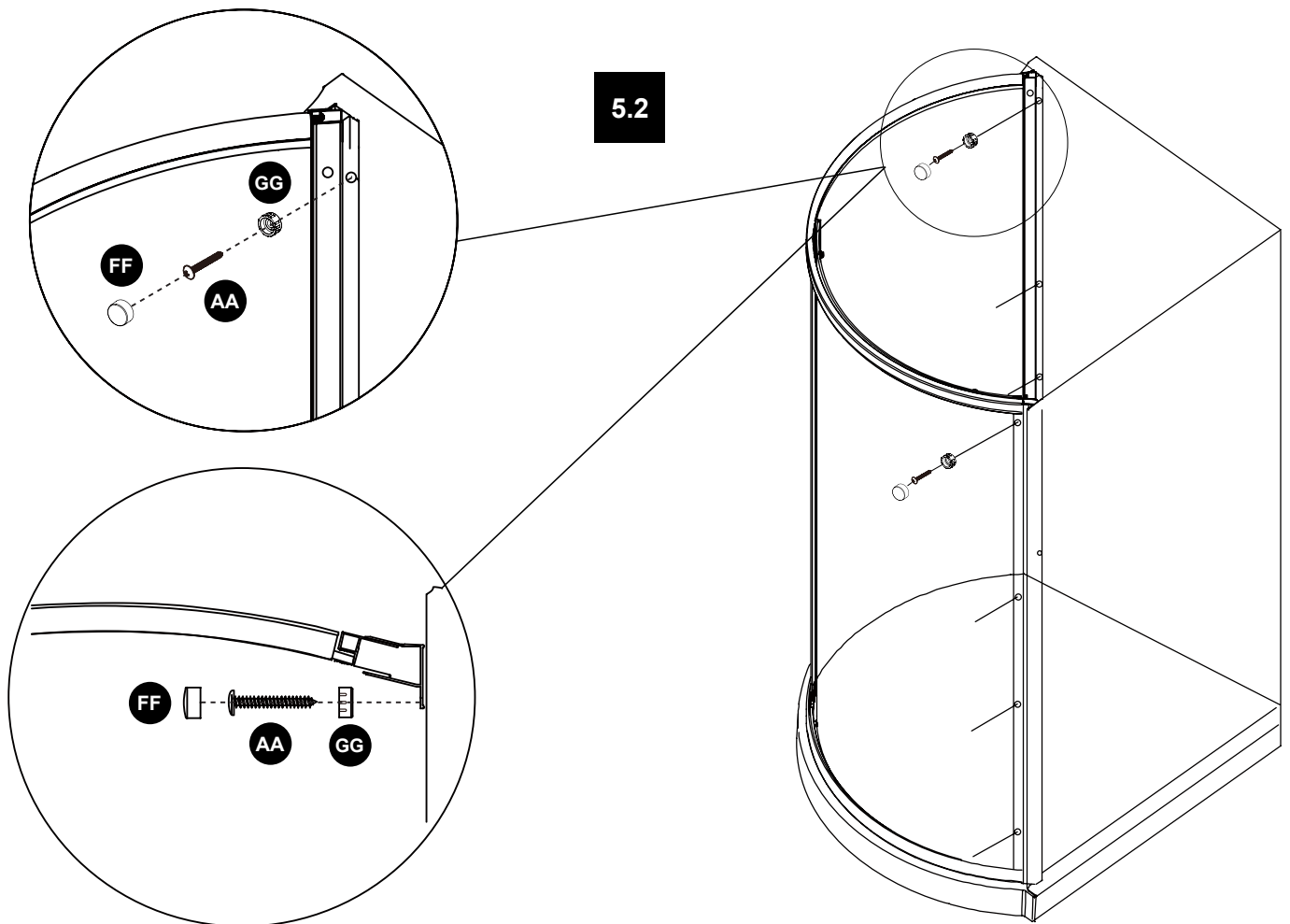
5.2. Secure the wall tracks (E) using the washers (GG), screws (AA), and covers (FF).

HELPFUL HINT!

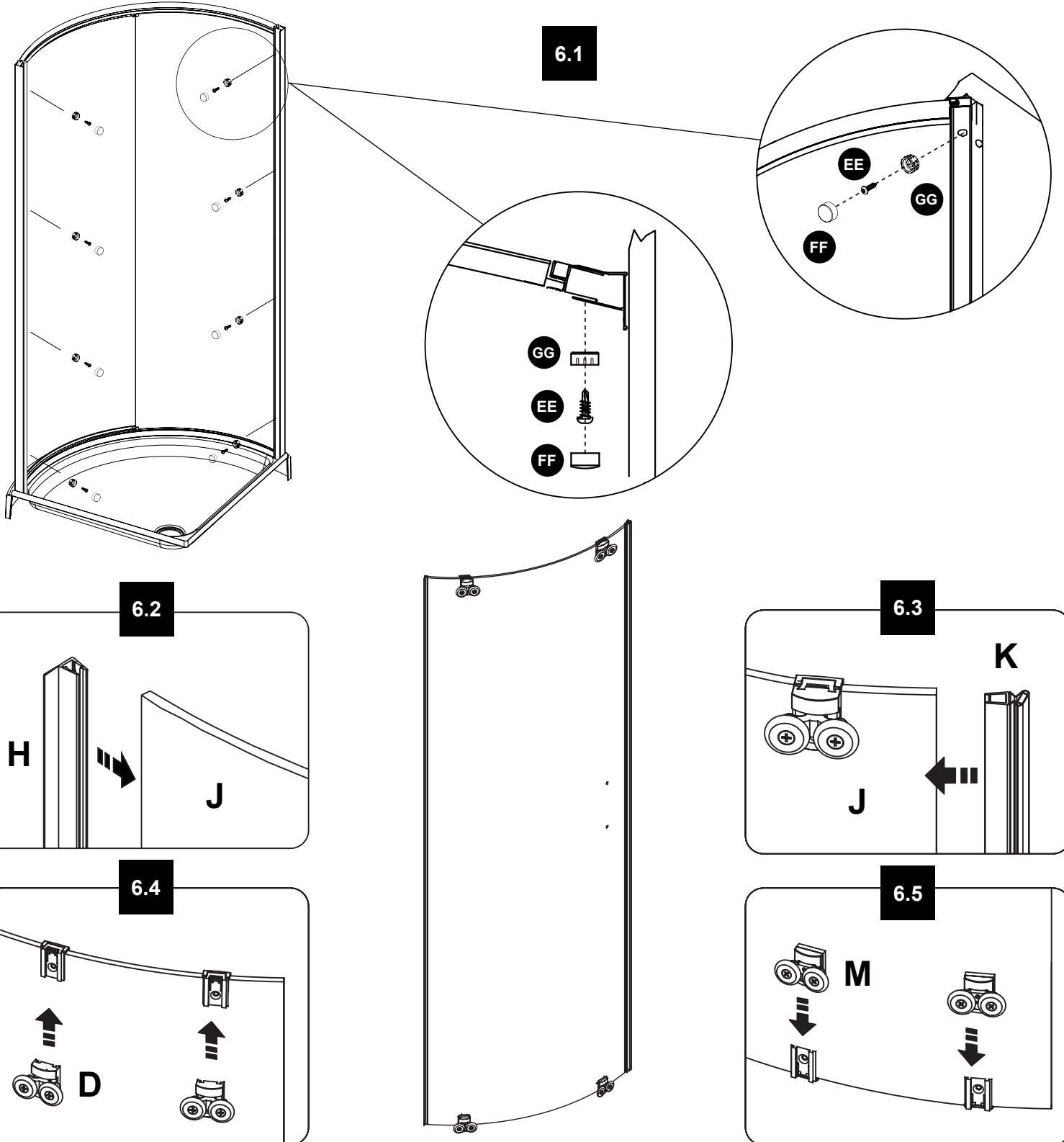
Before installing the frame, you may insert the door panel in the shower base to facilitate future steps.



5.2

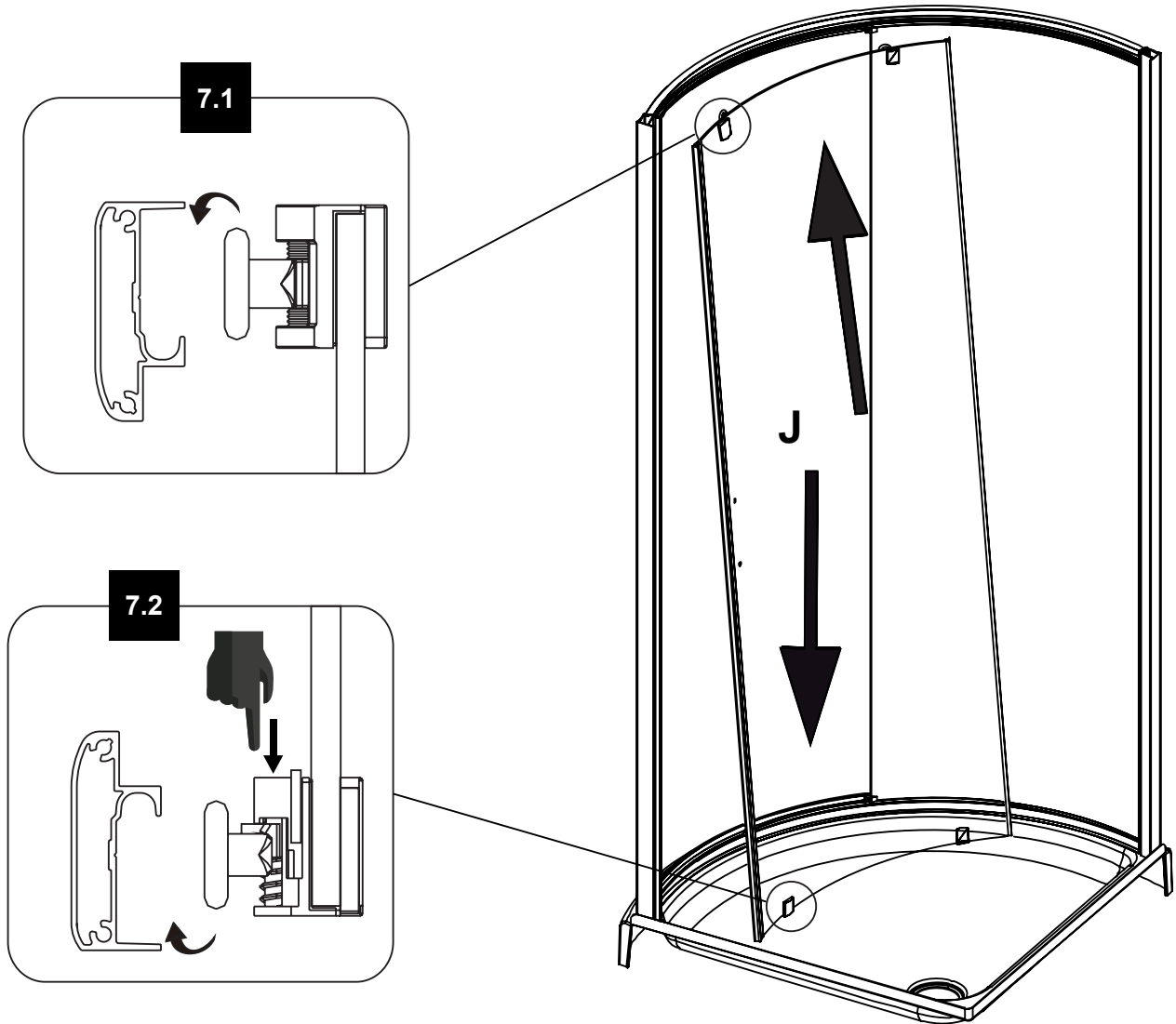


- 6.1. Secure the shower frame to the wall tracks (E) using washers (GG), screws (EE), and caps (FF).
- 6.2. Insert the door panel seal strip (H) on the left side of the door (J).
- 6.3. Insert the magnetic seal strip (K) on the closing end of the door (J).
- 6.4. Insert the top door wheels (D) into the wheel holders.
- 6.5. Insert the bottom door wheels (M) into the wheel holders.



7.1. Gently and carefully hang the door (J) by its top wheels (D).

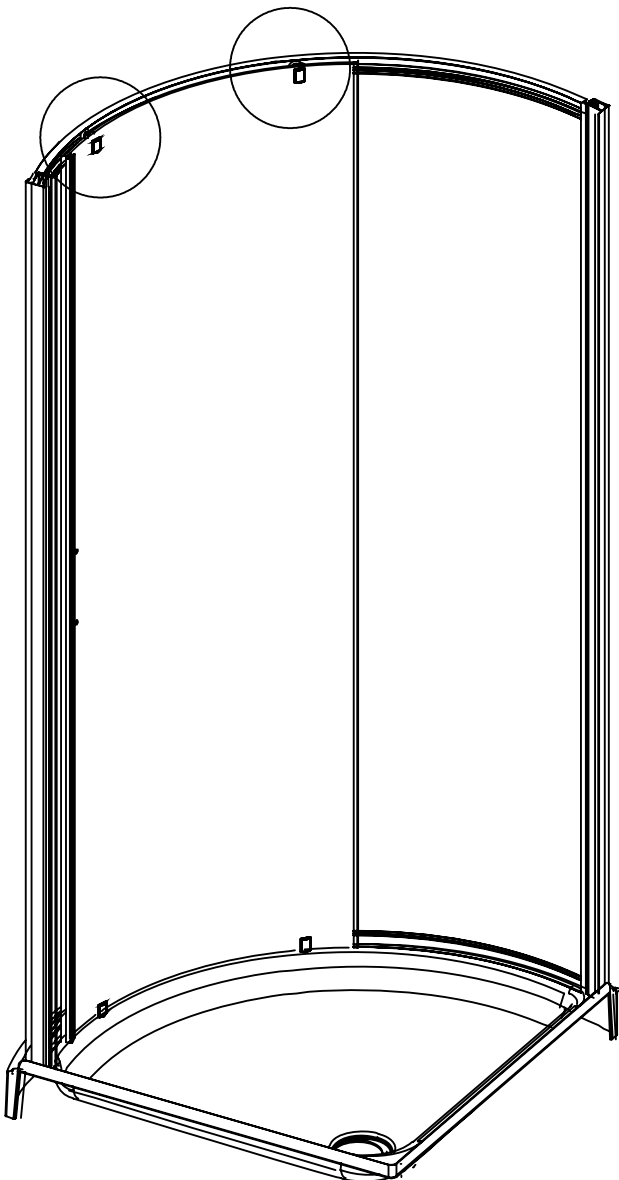
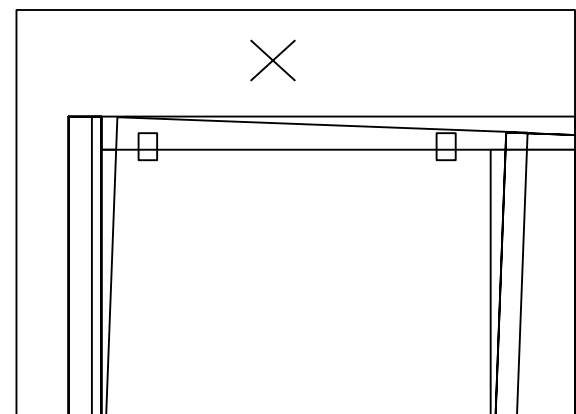
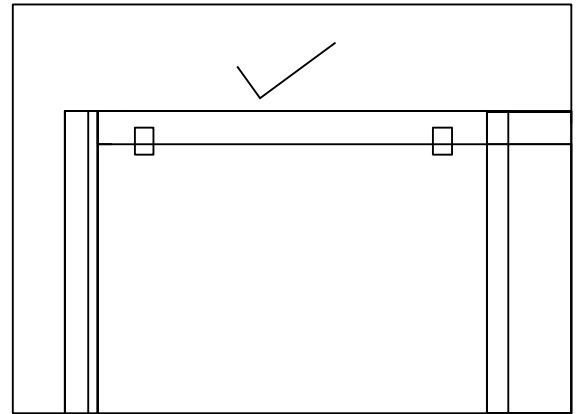
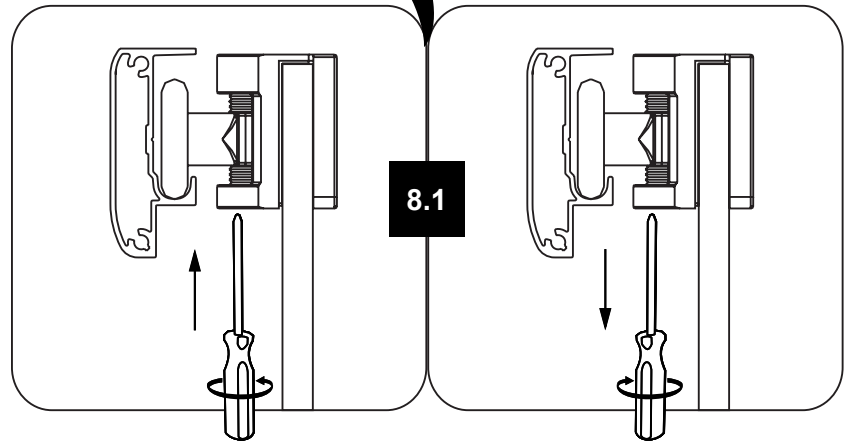
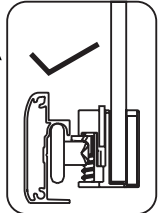
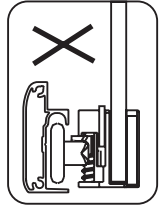
7.2. Secure the bottom wheels into the bottom frame track (A) by pushing down on the bottom wheel. A spring action will secure the bottom wheels into the frame track.



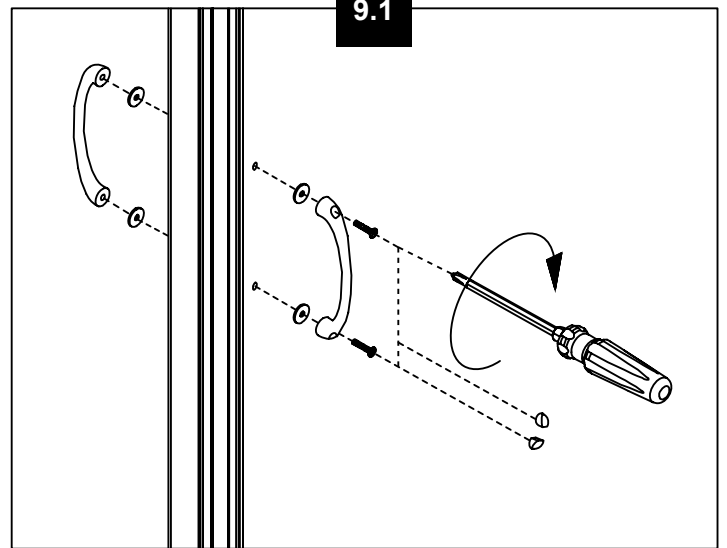
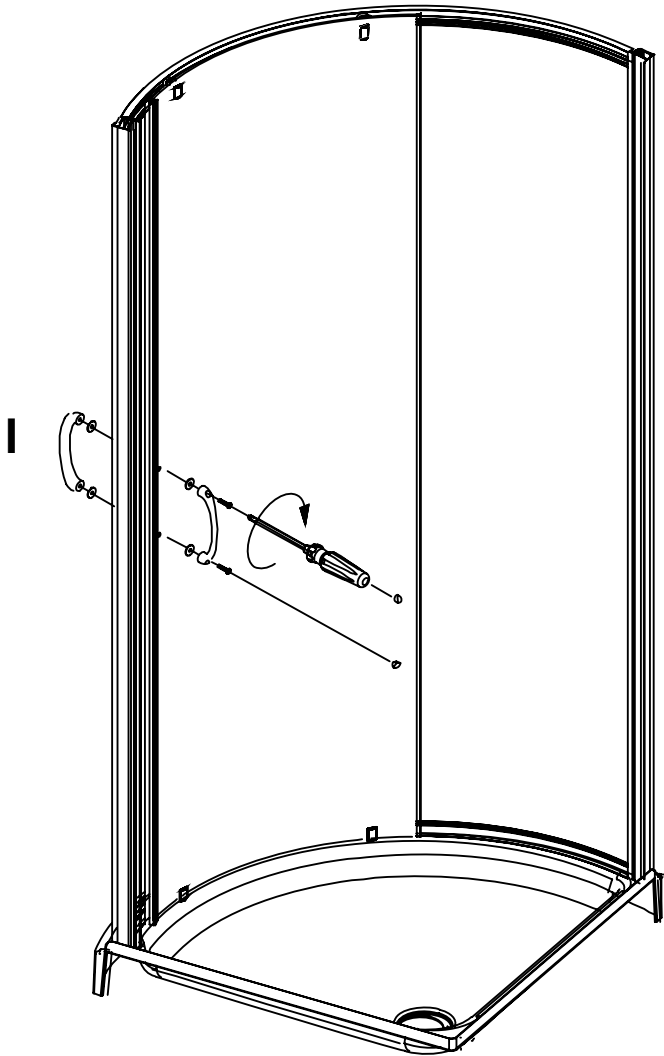
8.1. Ensure that the door closes well and that it is leveled. If an adjustment is needed, use a screwdriver to tighten or loosen the screw located under the top rollers to level the door adequately.

NOTE!

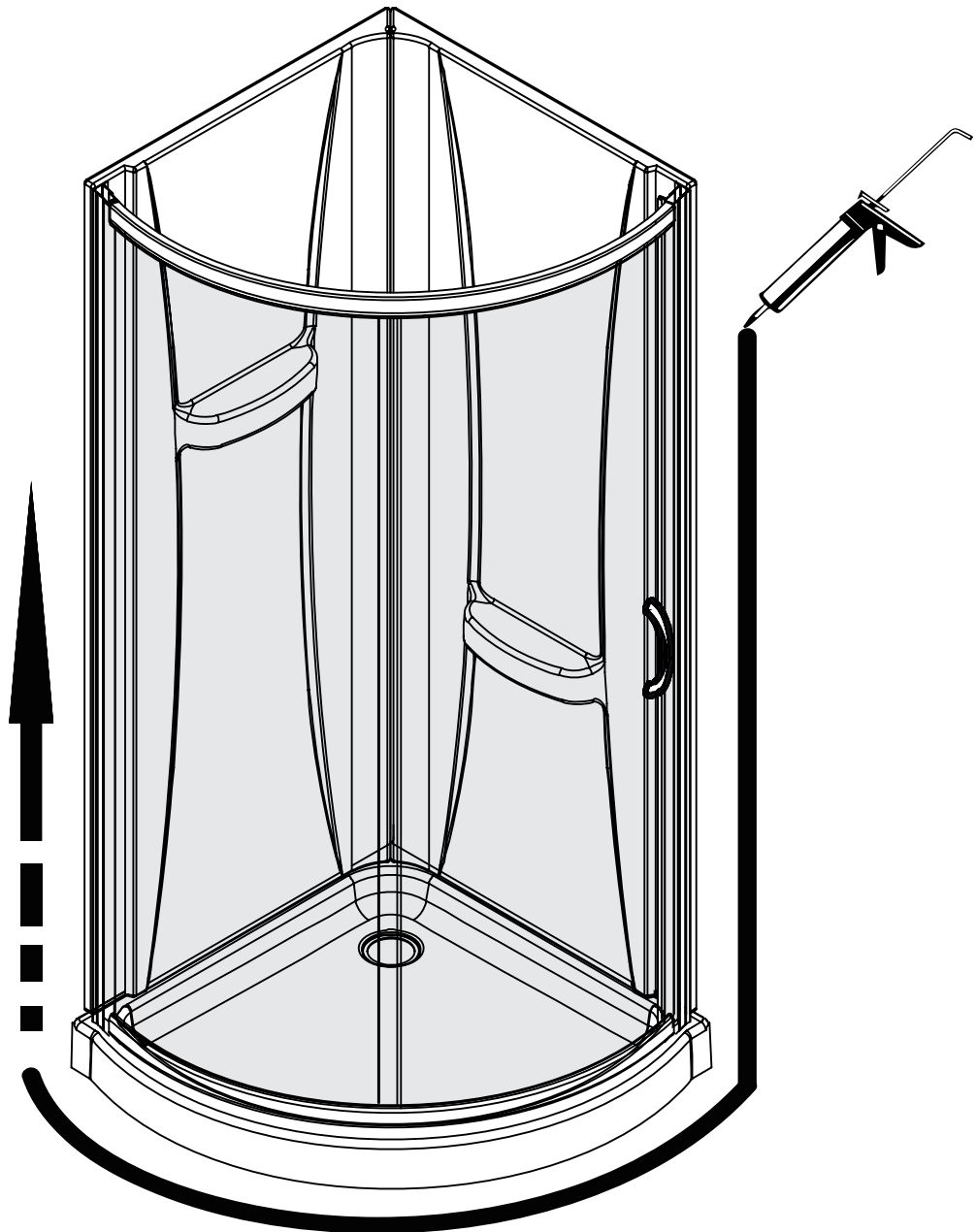
This wheel adjustment can be used to level the door in order yield a uniform and tight closed door seal. It is also used if the bottom wheels of the door come off their rail too easily, in which case tighten the screws of the top wheels counter-clockwise which will lift the door panel up and tighten the bottom wheels.



9.1. Install the handle (I).



Ensure that the door closes tightly and opens smoothly. Ensure that there is a firm connection between the fixed panel(s) and the support bar. Apply a clear silicone water sealant around the outside perimeter of any fixed shower components. Allow 24 hours for silicone to dry. Improper application of silicone sealant may cause your shower to leak.



MAINTENANCE AND CARE

For the daily maintenance, use a wet cloth and a soft liquid cleaner.

Never use abrasive cleaners containing some acetone, chlorine or strong bleach, scrapers, metallic brushes, nor other objects or the products which can graze or tarnish surfaces.

Use a ratchet to strongly tighten any bolts used to support the fixed glass panels or doors panel (support bolts can withstand up to 250 lbf*in of torque).

Check these bolts every 4 months and re-tighten them if necessary.

WARRANTY

LIMITED Product Warranty

The DISTRIBUTOR is a distributor of the following Products:

- Shower Doors (warranty period 5 years).
- Acrylic Surfaces (warranty period 5 years against blistering, cracking or chipping in the acrylic surface).
- Acrylic Shell Structure (warranty period 5 years against loss of water through fiberglass laminate of the acrylic body).
- Shower Hardware (handles, hinges, rubber support clips, metal support bars and wall tracks) (warranty period 1 year against defects in materials or workmanship).

Limited Warranty: The DISTRIBUTOR warrants to the original retail purchaser that within a reasonable time after notification from purchaser, The DISTRIBUTOR will repair or replace the Product, or any part or component of the covered Product, distributed by The DISTRIBUTOR which is proven to the satisfaction of The DISTRIBUTOR to be defective in workmanship or materials, and which has failed during normal use and within the warranty period. This Limited Warranty does not apply to Products that have been damaged, or which fail, as a result of causes other than manufacturing defects (such as but not limited to improper installation; lack of or improper care or maintenance; exposure to elements including corrosive products, environments or water; alteration; abuse or misuse). This warranty does not cover damage to finishes. The warranty commences on the first date a Product is purchased by the customer. This warranty applies exclusively to products purchased and used in non-commercial applications.

Warranty Claim Procedure: To make a claim please call The DISTRIBUTOR's helpline to trouble-shoot the issue and start the claim process. Products may be inspected or evaluated by The DISTRIBUTOR and any Product or component found to meet the above warranty criteria will be repaired or replaced at The DISTRIBUTOR's option. Replacement or repaired parts will be shipped at no cost to customer via ground freight only. Any expedited methods of shipments are customer's expense.

DISCLAIMER AND EXCLUSION OF WARRANTIES: This warranty is meant to be a complete and exclusive statement of the terms of all limited warranties offered by The DISTRIBUTOR.

To the fullest extent permitted by law, other than the express warranty set forth in this instrument there are NO WARRANTIES, EXPRESS OR IMPLIED, INCLUDING ANY IMPLIED WARRANTIES OF MERCHANTABILITY OR FITNESS FOR A PARTICULAR PURPOSE EXTENDED BY The DISTRIBUTOR.

This warranty gives you specific legal rights. You may also have rights, which may vary under applicable state, provinces, or national legislation, which cannot be disclaimed or modified by the above Disclaimer. Except as permitted, the Disclaimer is not intended to waive, modify, release or limit the applicability of preemptive state, province, or national legislation inconsistent with the terms of this Limited Warranty and Disclaimer. However, to the extent permitted by law, no implied warranties of merchantability or fitness are intended or extended hereunder. Notwithstanding the Disclaimer if any implied warranty is imposed by operation of law, to the extent permitted, the duration of such implied warranties is limited to the shorter of the term of the express warranty or the applicable statute of limitations.

The Products listed above are intended to be installed and used for personal, consumer residential use. Use of Products for any other purpose such as commercial purposes voids this warranty. The Limited Warranty is applicable only to the Products listed herein, and no warranty is extended to products not distributed by The DISTRIBUTOR. The warranty is applicable only to the first retail purchaser.

Transferability: This warranty is not transferable.

LIMITATION AND EXCLUSION OF REMEDIES AND DAMAGES: The DISTRIBUTOR's sole responsibility under this Limited Warranty shall be to repair or replace, at its option, any defective Product or component. Purchaser agrees that this is the sole and exclusive remedy under this Limited Warranty. The DISTRIBUTOR will not be responsible for any incidental, consequential, special or indirect damages, including loss of use as a result of any manufacturing defect in a Product. The DISTRIBUTOR will not be responsible for labor, or any other fees associated with removal or installation of warranted parts. Some states, provinces, or national legislation do not allow the exclusion or limitation of incidental or consequential damages, so this limitation may not apply to you.

Product modification: The DISTRIBUTOR reserves the right to change, modify or improve the Products without obligation to incorporate such changes in Products previously sold or installed.

Authority and Modification: The retail seller is not the agent of The DISTRIBUTOR and is not authorized to vary or modify the terms of the Limited Warranty. In addition, the retail seller cannot bind The DISTRIBUTOR or make any representations or promises about the Product that are binding on The DISTRIBUTOR.



Questions, problems, need help?
Call our customer service department at
1-866-839-2888, 8 a.m. - 5 p.m., EST, Monday - Friday