

Auxiliary Deadbolt Kits Product Data

Specifications

- Available in 2³/₈" or 2³/₄" backsets. Please specify backset at time of order.
- Available for 1³/₈" or 1³/₄" thick doors. Please specify door thickness at time of order. **For doors 2" thick or thicker, please call OMNIA for additional charges that may apply.**
- Suitable for most pre-existing bores for cylindrical locks.
- Supplied with Schlage® "C" keyway as a standard. Available on special order with a variety of other keyways and key combinations.

- Deadbolt employs a rim cylinder for ease of re-keying and key changes.

Lock Functions

A: Activated by key outside and turnpiece inside.

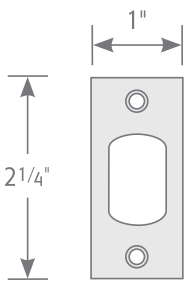
AC: Activated by key only from either side.

(For stainless steel auxiliary deadbolts only.)

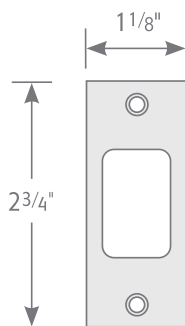
Supplied With:

- 2³/₄" x 1¹/₈" x 3³/₁₆" armored strike reinforcement.
- All parts shown in schematics below.

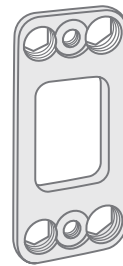
FACEPLATE



STRIKE



Reinforcer



INSTALLATION OF REINFORCER AND STRIKE

#10 x 3" Wood Screws

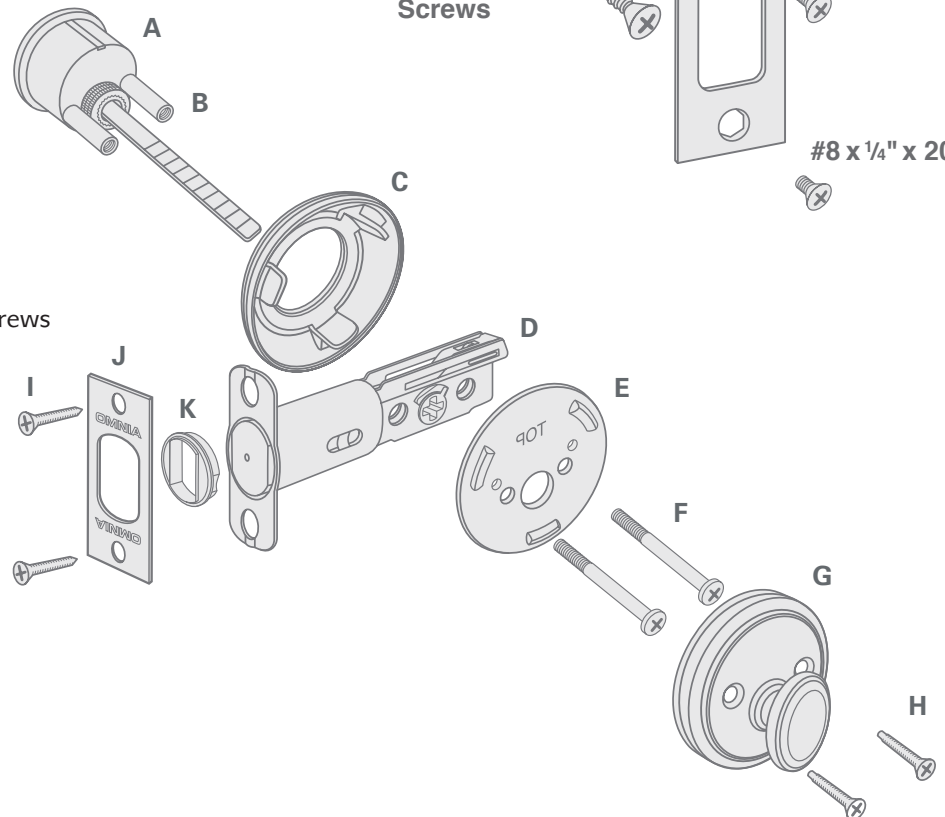
Strike

#8 x 1/4" x 20

Auxiliary Deadbolt Component List

Shown as "A" Function

- A) Rim Cylinder
- B) Standoffs
- C) Outside Collar
- D) Deadbolt Latch
- E) Inside Rim Cylinder Mounting Plate
- F) Rim Cylinder Hardened Thru-Bolt Screws
- G) Inside Turnpiece and Rose
- H) Inside Mounting Screws (2)
- I) #8 x 1" Sheet Metal Screws (2)
- J) Deadbolt Faceplate
- K) Deadbolt Stabilizer



DRAWINGS NOT TO SCALE