

## Knob and Lever Latchsets

- Will fit 2<sup>1</sup>/<sub>8</sub>" bore.
- For residential and commercial use. *Consult with OMNIA for commercial applications.*
- 2<sup>3</sup>/<sub>8</sub>" and 2<sup>3</sup>/<sub>4</sub>" backsets available.
- Supplied for 2<sup>3</sup>/<sub>8</sub>" backset and 1<sup>3</sup>/<sub>8</sub>" door thickness unless otherwise specified.
- All lever latchsets are ADA approved.

### Concealed Screw Roses:

Modern	2 <sup>5</sup> / <sub>8</sub> " dia. x 3 <sup>3</sup> / <sub>8</sub> " proj.
Traditional	2 <sup>5</sup> / <sub>8</sub> " dia. x 3 <sup>3</sup> / <sub>8</sub> " proj.
Square	2 <sup>5</sup> / <sub>8</sub> " sq. x 7 <sup>1</sup> / <sub>16</sub> " proj.
Beaded	2 <sup>5</sup> / <sub>8</sub> " dia. x 7 <sup>1</sup> / <sub>16</sub> " proj.
Roped	2 <sup>5</sup> / <sub>8</sub> " dia. x 1 <sup>1</sup> / <sub>2</sub> " proj.
Reed & Ribbon	2 <sup>5</sup> / <sub>8</sub> " dia. x 1 <sup>1</sup> / <sub>2</sub> " proj.
Ornate	2 <sup>5</sup> / <sub>8</sub> " dia. x 1 <sup>1</sup> / <sub>2</sub> " proj.

Roses have been specifically designed for use with the knobs and levers with which they are shown in this catalog. Each set consists of solid brass knobs or levers, concealed screw finished roses, metal thru-bolting rose cassette, latch, strike, dust box, faceplate, spindle, all necessary mounting screws, installation template and instructions.

### About our Tubular Latch

- All dimensions are standard to fit existing bores for replacement installations.
- Tough, non-rusting materials used throughout. Face covers and strikes are solid brass. No. 013 "T" strike supplied as a standard or No. 014 "Full Lip" strike as an option. Specify when ordering.
- Critical interior parts are made of solid brass.
- For over five decades OMNIA's latches have been opening and closing millions of doors all around the world.
- 28° rotation to retract latch.



All OMNIA lever latchsets meet ADA accessibility requirements.



### Knob Latches (7 mm hub)

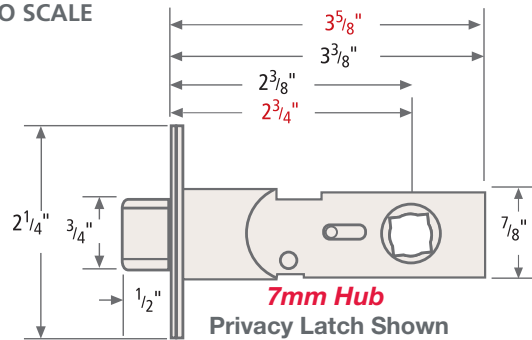
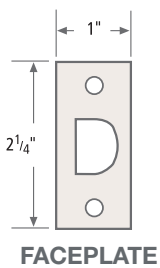
- 105KPA38:** 2<sup>3</sup>/<sub>8</sub>" backset, passage knob latch
- 105KPA34:** 2<sup>3</sup>/<sub>4</sub>" backset, passage knob latch
- 106KPR38:** 2<sup>3</sup>/<sub>8</sub>" backset, privacy knob latch
- 106KPR34:** 2<sup>3</sup>/<sub>4</sub>" backset, privacy knob latch

### Lever Latches (7 mm hub)

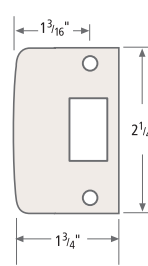
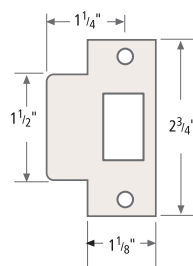
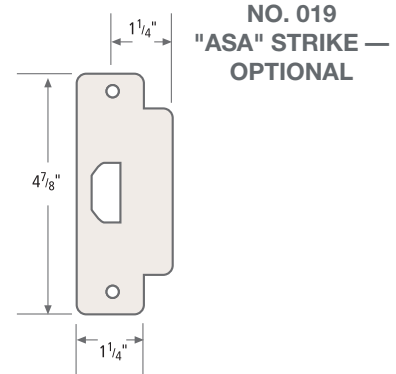
- 105LPA38:** 2<sup>3</sup>/<sub>8</sub>" backset, passage lever latch
- 105LPA34:** 2<sup>3</sup>/<sub>4</sub>" backset, passage lever latch
- 106LPR38:** 2<sup>3</sup>/<sub>8</sub>" backset, privacy lever latch
- 106LPR34:** 2<sup>3</sup>/<sub>4</sub>" backset, privacy lever latch

The above part numbers should be used when ordering latch only.

### DRAWINGS NOT TO SCALE



■ SPECIFY 2<sup>3</sup>/<sub>8</sub>" OR 2<sup>3</sup>/<sub>4</sub>" BACKSET. ■



## Sub-Rose Cassette Features

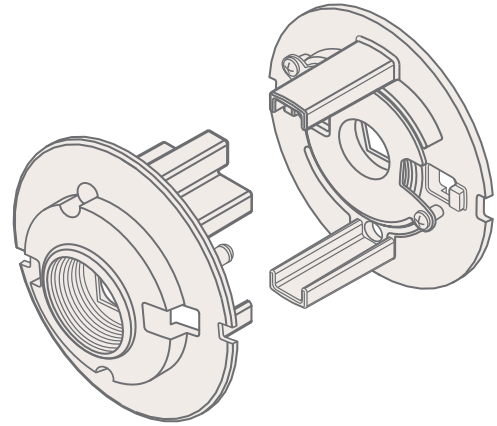
Metal sub-roses feature self-aligning thru-bolts. Spring-assisted outside and inside. Three spring tensions are available: Knob Strength, Lever Strength and Heavy Duty Lever Strength.

**#982/K Sub-Rose Cassette:** Knob Strength Spring

**#982 Sub-Rose Cassette:** Lever Strength Spring

**#982/HD Sub-Rose Cassette:** Heavy Duty Lever Strength Spring

**#982/PD Sub-Rose Cassette:** Pair Dummy



Component parts Ea & Eb as shown below.

## Latchset — Exploded To Show Detail

- A) Door Knob/Lever (2)
- B) Set Screw (2)
- C) Nylon Threaded Washer (2)
- D) Finished Rose (2)
- Ea) Metal Spring Assist Sub-Rose
- Eb) Metal Spring Assist Sub-Rose
- F) Spindle (Teardrop groove positioned towards set screw)
- G) Tubular Latch
- H) Privacy Locking Block Machine Screw
- I) Privacy Locking Block Locking Stopper
- J) Privacy Locking Block
- K) Tubular Latch Faceplate
- L) Tubular Latch Strike Plate
- M) Tubular Latch Dust Box
- N) Thru-Bolt Machine Screws With Locking Washer (2)
- O) Washer Installation Tool
- P) Emergency Release Key

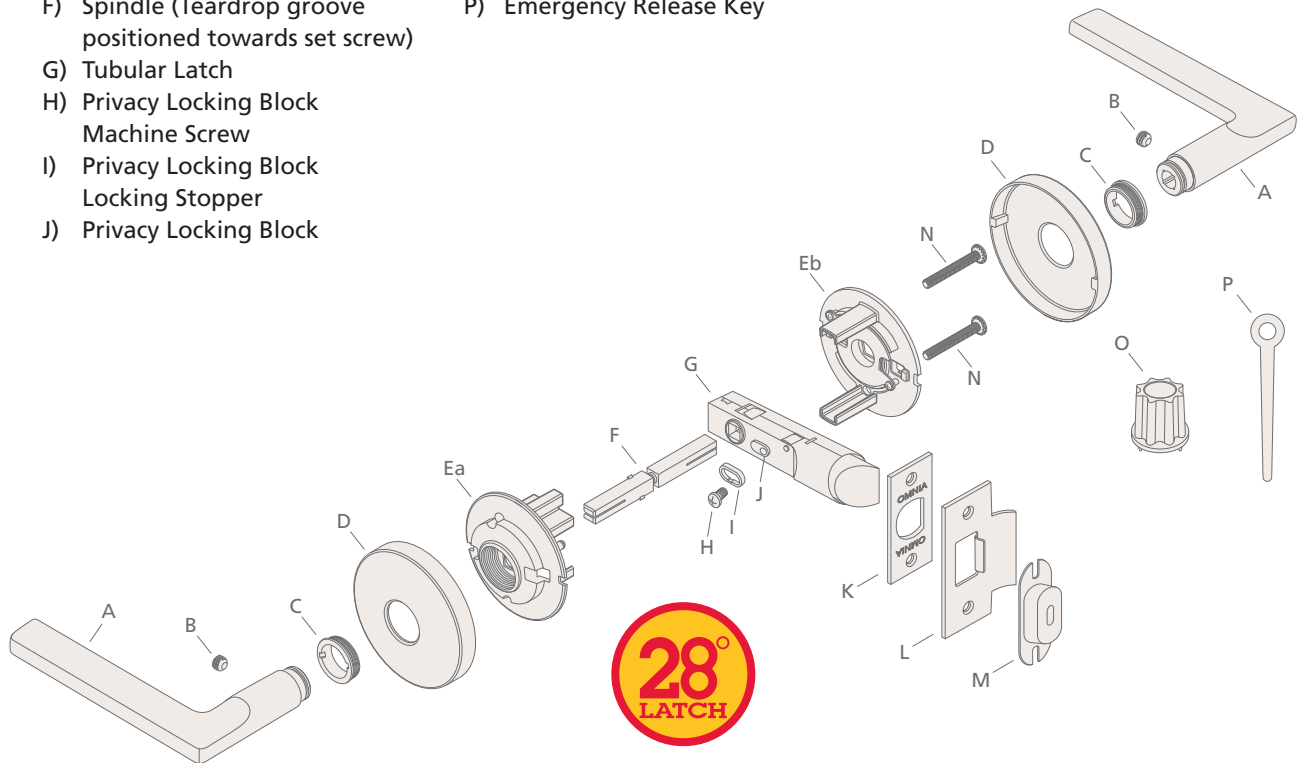
Applies to:

OMNIA MODERN

OMNIA TRADITIONS

The CLASSICO Collection

For *Prodigy* & OMNIA Stainless Steel see applicable catalogs



## Functions

**Passage:** Latch operates by lever (or knob) from either side of door. Uses 7mm solid spindle.

**Privacy:** Latch operates by lever from either side of door. Push button on interior rose engages privacy; emergency release hole is on exterior rose. Turning inside lever will release privacy and retract latchbolt. For bathroom or bedroom. Uses 7mm split spindle.

**Pair Dummy:** Trim on both sides of door. Lever with thru-bolting, concealed screw rose set.

**Single Dummy:** Lever trim on one side of the door only. Available for surface mounting or thru-bolting.

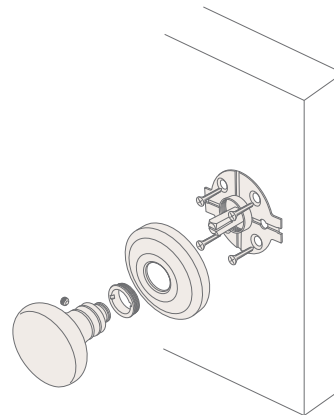
*Dummy applications not recommended for commercial use.*

## Single or Pair Dummy Roses

### Single Dummy Rose

**1. Surface Mounted Concealed Screws**

No screws are exposed. Shipped unassembled.

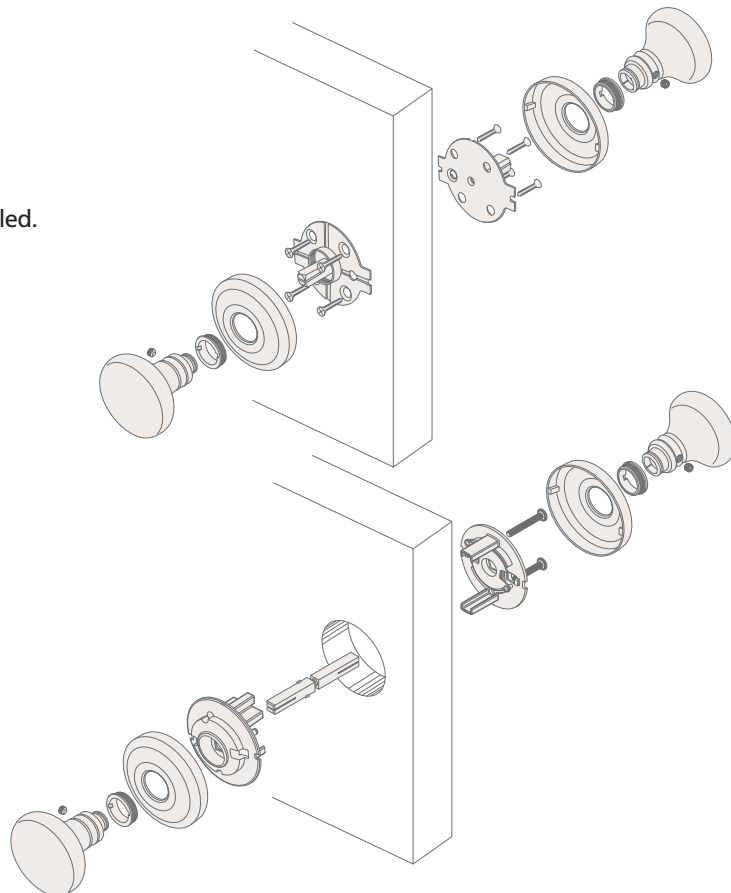


### Pair Dummy Rose Options

**1. Surface Mounted Concealed Screws**

No screws are exposed. Shipped unassembled.

**2. Dummy for 2 1/8" bore.**



Applies to:

OMNIA MODERN

OMNIA TRADITIONS

The CLASSICO Collection

For *Prodigy* & OMNIA Stainless Steel  
see applicable catalogs