



NOTE: Template may not be true-to-size. Please use for reference purposes only. DO NOT drill until measurements are verified.



CEDAR GROVE, NJ 07009

INSTALLATION INSTRUCTIONS FOR STAINLESS STEEL LATCHSETS

Installing Latch - Skip to #4 Instruction if door is pre-bored.

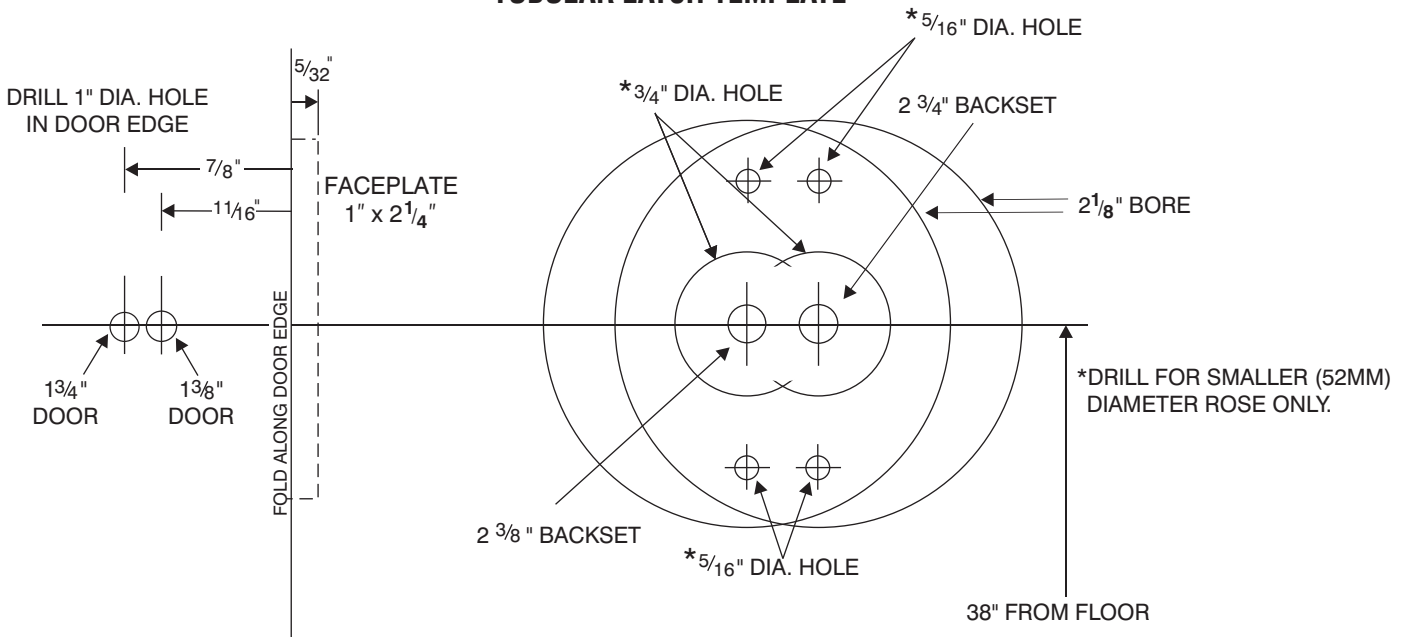
- Using template, mark all points for drilling. Use correct backset for latch. Drill $2\frac{1}{8}$ " bore first. **For smaller (52mm) diameter rose or narrow plates drill $\frac{3}{4}$ " diameter hole instead of $2\frac{1}{8}$ " bore.***
- Using 1" boring bit, drill from the center of the door edge, at 38" FROM FLOOR mark, into the $2\frac{1}{8}$ " bore.
- With face cover in place, position latch and mark perimeter of latch faceplate on door edge. Mortise to accommodate latch face and face cover, approximately $\frac{5}{32}$ " deep.
- PASSAGE:** When installing a passage latch, hold latch with writing facing upwards.
PRIVACY: When installing privacy latch, hold latch with writing facing upwards. The side of latch that is inside of the room must be towards you. Push in the privacy locking block. Slide the oval plastic stopper over the outside privacy block. Fasten with the small machine screw (see Figure #1 on reverse side).
- Rotate latch bolt if necessary, using slight pressure. Apply faceplate with flat side of faceplate facing flat side of bolt. Position latch in door to suit bevel. Screw faceplate and latch to door.
- Before installing roses**, insert spindle through latch hub. **THIS MUST BE DONE BEFORE THE ROSES ARE INSTALLED.** For privacy, the spindle should be inserted through latch from exterior side of door, with the stop of spindle on same side. The tear drop cutout of spindle should face the set screw position on the knob or lever.

Installing Passage and Privacy Rose Set

- Remove the covers from both sides of the roses. Install the plastic sub-roses to each other through the door and fasten them together using the (2) screws provided.
PRIVACY: For privacy, make sure both roses have the words "**Door Edge**" facing the correct direction for the privacy pin. Install the (2) screws to fasten the roses together (do not tighten them down but leave them snug). Slide the levers onto the spindle on both sides and turn the sub-roses so that the ends of the levers are slightly pointing upwards. Tighten the screws to fasten the sub-roses together. (DO NOT OVERTIGHTEN SCREWS.) Slide off the lever handles.
- Replace the rose covers on to the sub-roses by aligning the cut-out of the cover with the tab of the plastic sub-rose. Snap rose covers onto sub-roses.
- Slide both levers onto spindle until securely seated into roses. (For privacy, ensure the spindle is centered in the latch so each lever works independently). With set screws, fasten levers to spindle. If installing privacy, thread privacy pin through rose into latch after trim is applied.
- Check for smooth operation.

Your Omnia Dealer/Distributor can help you with any further questions or information on other Omnia Products.

TUBULAR LATCH TEMPLATE



CAUTION: DOOR AND FRAME MANUFACTURERS

When door gasketing or silencers are used, proper allowances must be made for strike location to maintain a common centerline with lock and door so that the bolt will freely enter strike.

**INSTALLATION OF PRIVACY LATCH
(PRIVACY LATCH ONLY)**

Figure #1

Hold latch with writing on label facing upwards. The side of the latch that is inside of the room must be towards you. Push in the privacy locking block. Slide the oval plastic stopper over the outside privacy block. Fasten with the small machine screw.

***NOTE Thread privacy pin into latch after trim is applied.**

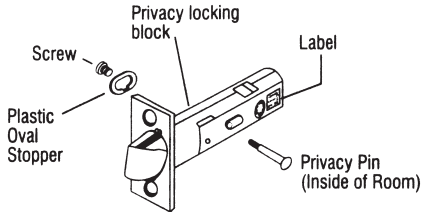
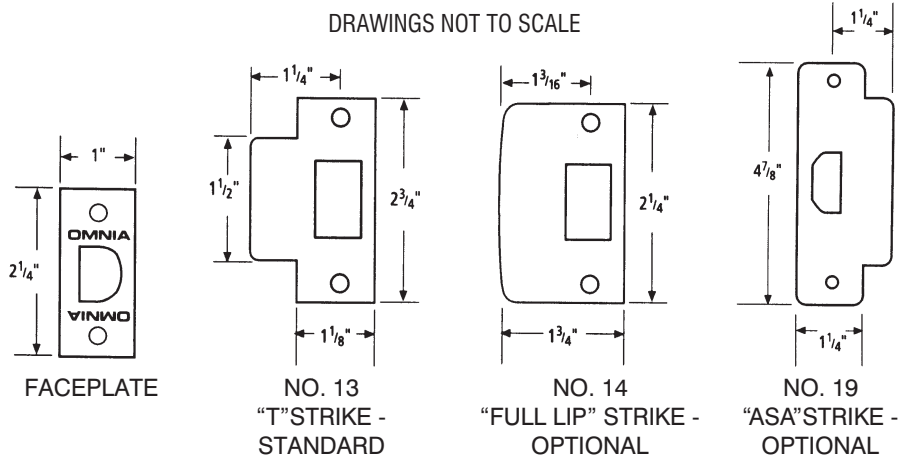


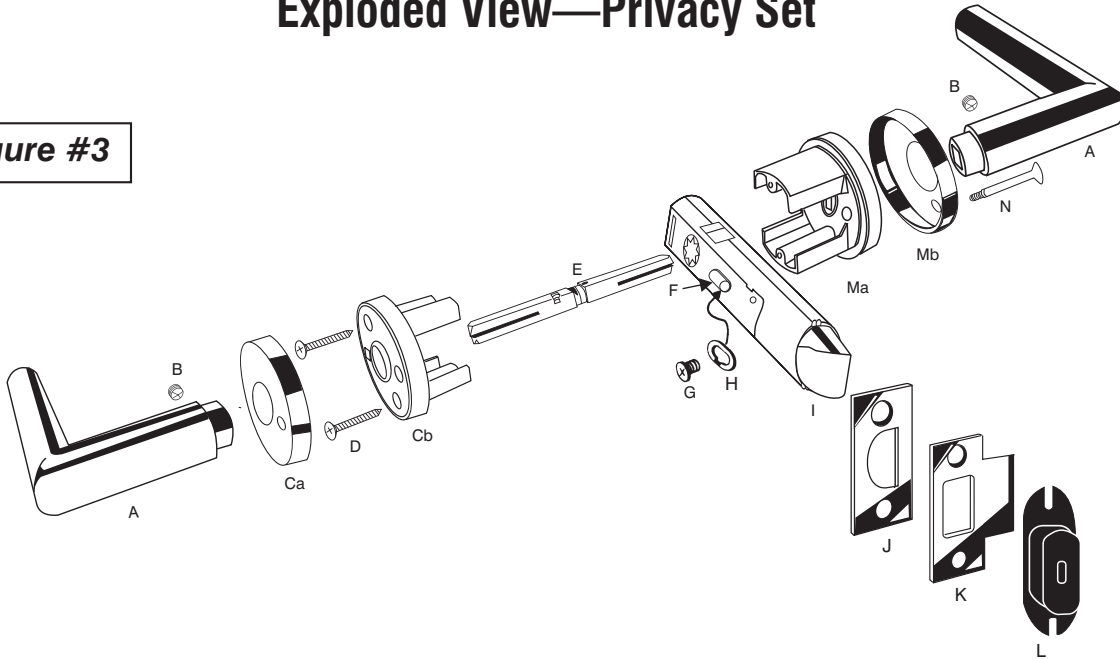
Figure #2

**FACEPLATE AND STRIKES
DRAWINGS NOT TO SCALE**



Exploded View—Privacy Set

Figure #3



Stainless Steel Latchset Component List

- | | |
|---|--|
| A) Door knob/lever (2) | H) Privacy locking block plastic stopper |
| B) Set screws (2) | I) Tubular latch |
| Ca) Finished rose | J) Tubular latch faceplate |
| Cb) Nylon sub-rose | K) Tubular latch strike plate |
| D) Thru-bolt screws (2) | L) Tubular latch dust box |
| E) Spindle (teardrop groove positioned towards set screw) | Ma) Nylon sub-rose |
| F) Privacy locking block | Mb) Finished rose |
| G) Privacy locking block machine screw | N) Privacy locking pin |

