



Olympia Faucets
VALUE FOR BUILDERS

L-7533
i2v Series



Two Handle Lavatory Faucet

- Lever Handles
- 90 Degree Spout
- 5 1/2" Reach, 6 1/8" From Deck to Aerator
- Ceramic Disc Cartridges
- Brass Push-Down Drain Assembly
- With 1.2 GPM Flow Rate

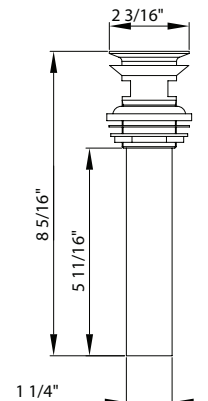
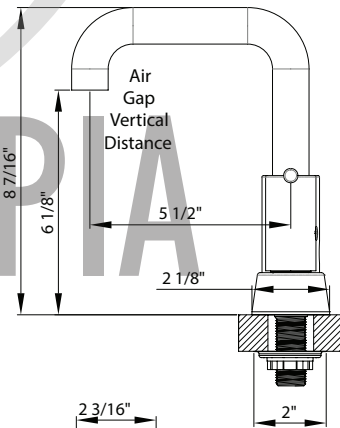
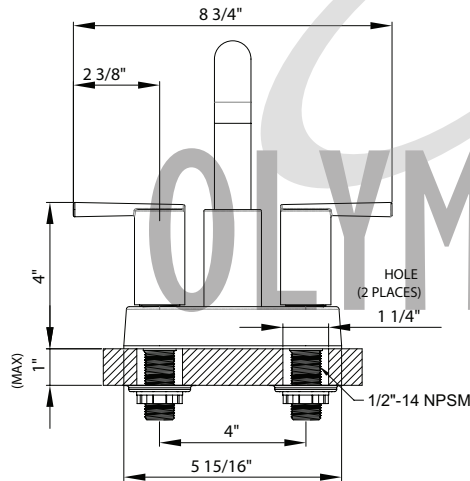
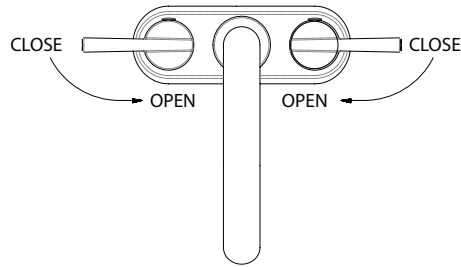
Finish Options:
Chrome-Default
Brushed Nickel-BN
Matte Black-MB
Brushed Gold-BG

Code and Standards

ASME A112.18.1-2018/CSA B125.1-18
NSF/ANSI/CAN 61
Compliance with AB1953/S152/HB372
NSF/ANSI 372
ADA: Compliance to ICC/ANSI A117.1 (Lever Handle Only)



*For other finishes and flow rates offered, please visit our website, email an inquiry to sales@pioneerind.com or contact our sales at 800-338-9468



Touch Down Drain
(Brass)