



OLYMPIA FAUCETS, INC.
3325 S. Garfield Ave.
Commerce, CA 90040
(888) 772-7701
www.olympiafaucets.com

INSTALLATION

Tools:



Adjustable Wrench



Plumbers Putty



Teflon Tape



Rags

Model Number: T-230X, T-231X, T-233X, T-234X, T-235X T-236X, T-237X, T-238X, T-239X, T-2391X, T-233XRB, VT-230X-RP

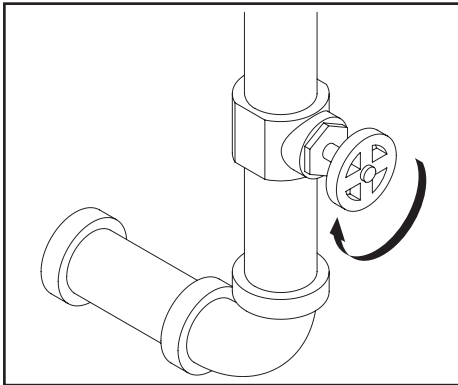


Warnings and Notes:

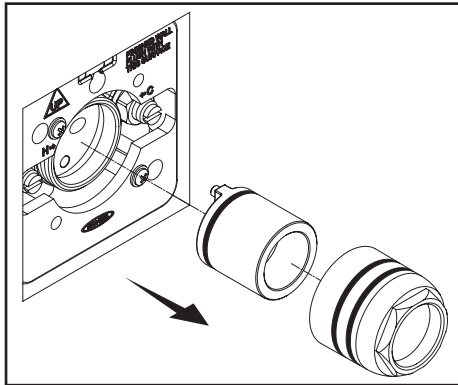
Check with local plumbing code requirements before installation.
This product should be installed by a local listed plumber.
Do not use plumbers putty on threads.

Installation Steps:

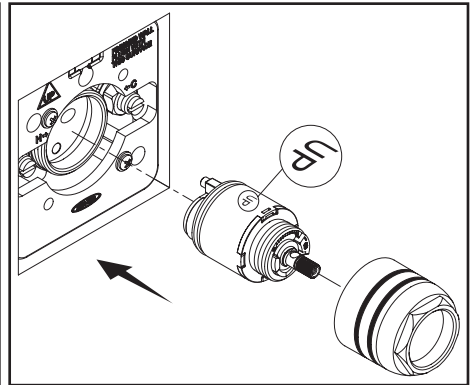
Single Handle Tub / Shower Trim Set



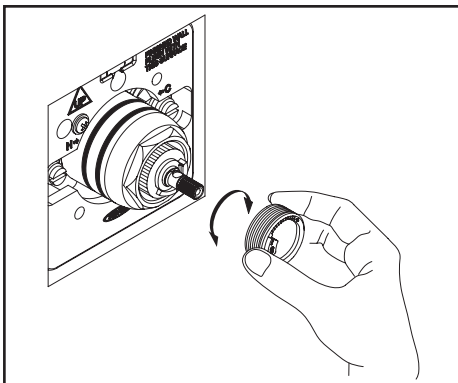
(1) Turn off water supply.



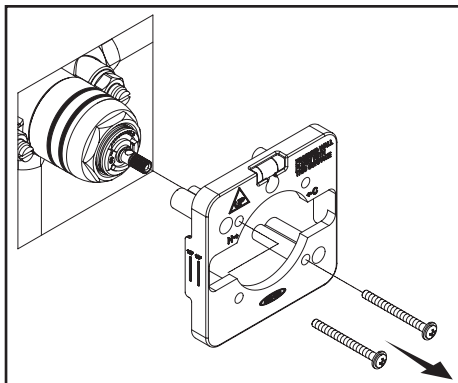
(2) Remove sleeve nut and test cap.



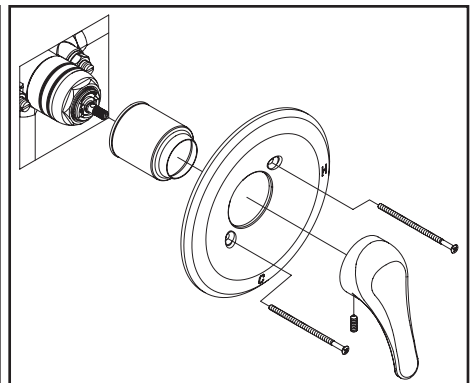
(3) Make sure "UP" marking is on top, install the cartridge and hand tighten the sleeve nut. Then tighten the sleeve nut a quarter turn more by using a wrench or a 1-7/16" socket to secure the cartridge.



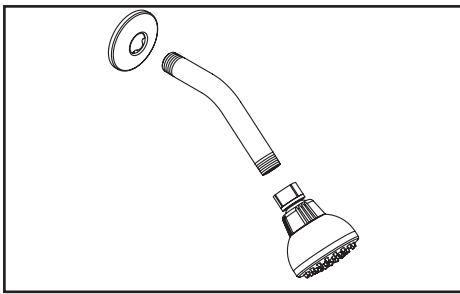
(4) With cartridge in off position; lift and adjust temperature limit cap to desired temperature, turn clockwise to decrease the temperature setting and turn counter-clockwise to increase the temperature setting.



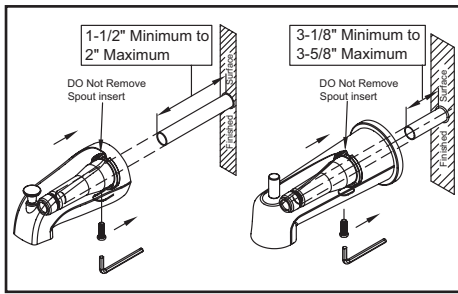
(5) Remove mud guard.



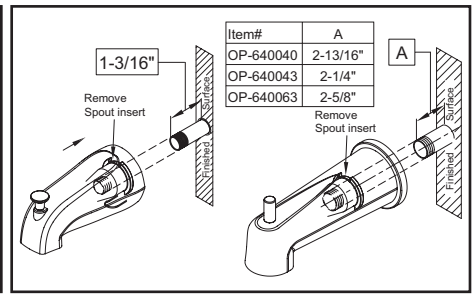
(6) Install sleeve, face plate and handle.



(7) Apply Teflon tape on both thread ends of the shower arm and install shower arm and shower head.



(8) For copper pipe, please refer to the distance charts on the above drawing to ensure correct installation of standard and extended spouts. The end of the copper pipe should be chamfered free of burrs to prevent cutting or nicking the O-ring and cone shape gasket inside the tub spout. Sand the outside surface of the copper pipe to remove nicks and scratches. If the series includes the spout escutcheon: Slide the spout escutcheon over the copper pipe, press and twist the tub spout until flush with the finished wall. Tighten the set screw to secure the tub spout.



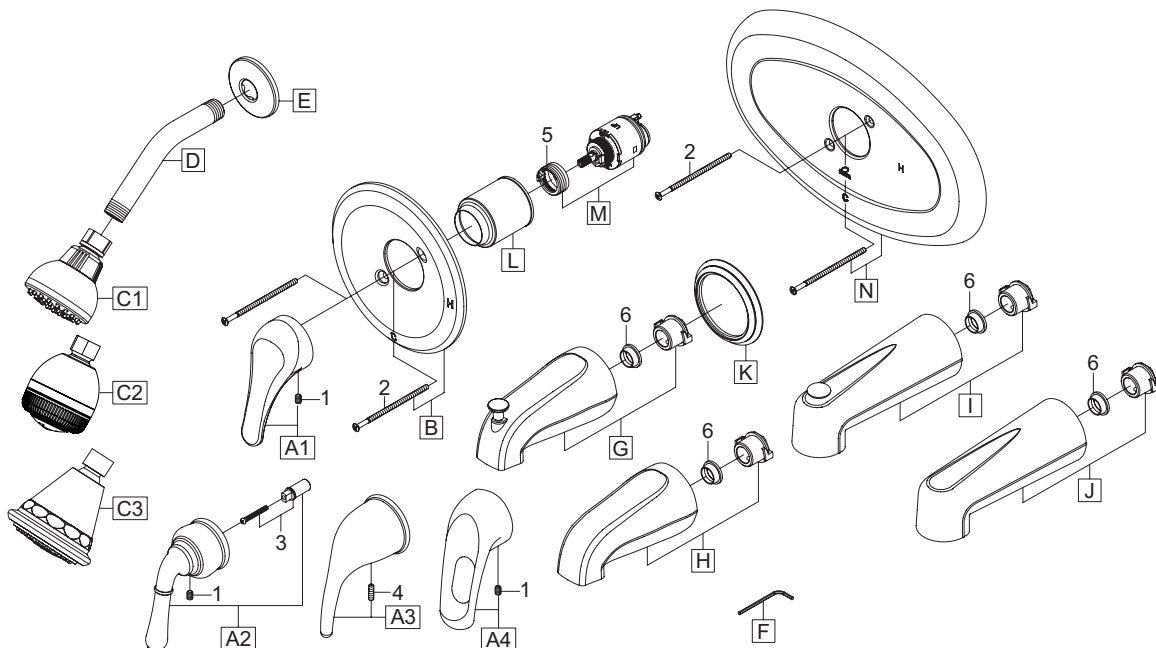
(9) For pipe thread nipple, remove spout insert and apply Teflon tape on thread of nipple, please see the distance charts on the installation instruction pictures for correct installation for each series of tub spout.

Exploded Drawing: (T-230X, T-231X, T-234X, T-235X, T-236X, VT-230X-RP)

* Note: Please specify finish/color when ordering.

| ITEM # | DESCRIPTION |
|--------|--|
| H | OP-640019* Tub Spout (For T-23X1) |
| I | OP-640033* 7" Extended Diverter Tub Spout (For T-2353) |
| J | OP-640034* 7" Extended Tub Spout (For T-2354) |
| K | OP-440042* Spout Escutcheon (For T-235X) |
| L | OP-440054* Sleeve |
| M | OP-340009 Ceramic Cartridge & Spool |
| N | OP-640017* Oval Face Plate (For VT-230X-RP) |
| 1 | OP-490029 Allen Screw |
| 2 | OP-440010* Face Plate Screws |
| 3 | OP-440033 Handle Adapter |
| 4 | OP-440043 Allen Screw |
| 5 | OP-340010 Red Color Temperature Adjusting Ring |
| 6 | OP-640058 Gasket |

| ITEM # | DESCRIPTION |
|--------|---|
| A1 | OP-140014* Metal Lever Handle (For T-230X) |
| A2 | OP-140008* Lever Handle (For T-234X, T-235X) |
| A3 | OP-140015* Lever Handle (For T-236X) |
| A4 | OP-140010* Loop Handle (For T-231X) |
| B | OP-440009* Face Plate |
| C1 | OP-640053* 1.5 GPM Showerhead (For T-230X, T-231X) |
| C2 | OP-640029* 1.75 GPM Showerhead (For T-234X, T-236X) |
| C3 | OP-640035* 1.75 GPM Showerhead (For T-235X) |
| D | OP-640002* Shower Arm |
| E | OP-640001* Shower Arm Flange |
| F | OP-490011 3/32" Allen Wrench |
| G | OP-640018* Diverter Tub Spout (For T-23X0) |

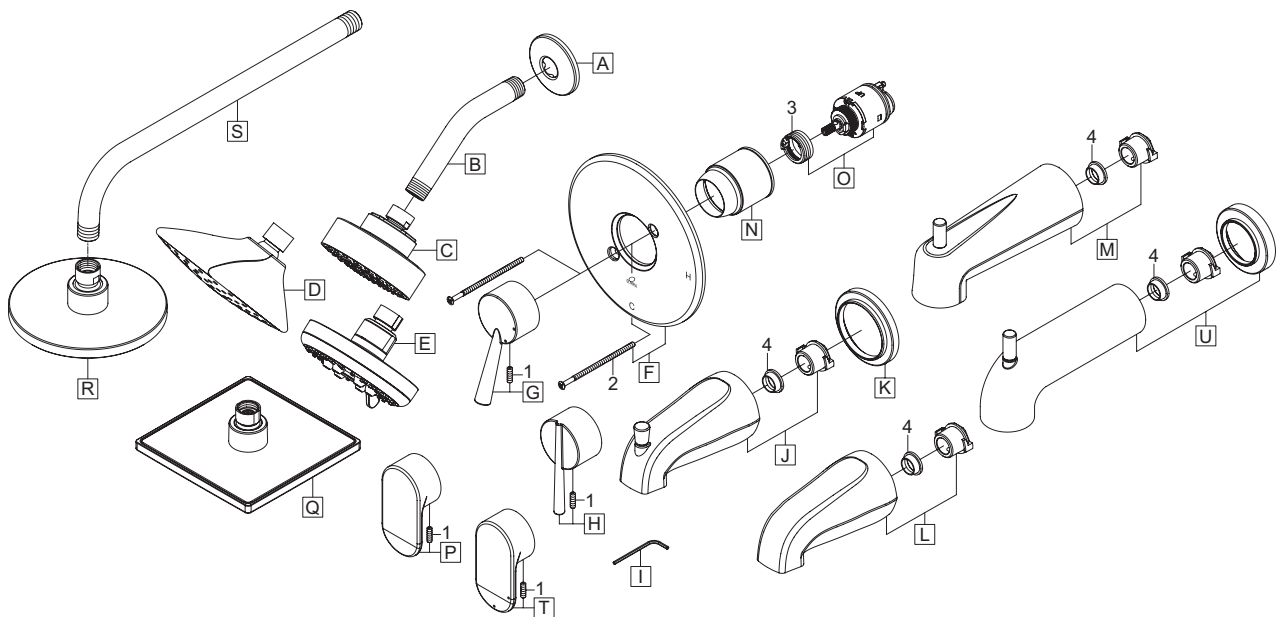


Exploded Drawing: (T-233X, T-237X, T-238X)

* Note: Please specify finish/color when ordering.

| | ITEM # | DESCRIPTION |
|---|------------|--|
| L | OP-640019* | Tube Spout (For T-23X1) |
| M | OP-640040* | 7" Extended Diverter Tub Spout (For T-23X4) |
| N | OP-440054* | Sleeve |
| O | OP-340009 | Ceramic Cartridge & Spool |
| P | OP-140020* | Lever Handle (For T-233X) |
| Q | X-6400088* | 1.75 GPM Shower Head (For "-6" Suffix) |
| R | OP-640047* | 1.75 GPM Shower Head (For "-6R(L)" Suffix) |
| S | OP-640056* | 14" L Shower Arm (For "-6RL" Suffix) |
| T | OP-140025* | Lever Handle (For T-233XRB) |
| U | OP-640063* | 7" Extended Diverter Tub Spout And Escutcheon (For "-7S" Suffix) |
| 1 | OP-440043 | Allen Screw |
| 2 | OP-440010* | Face Plate Screws |
| 3 | OP-340010 | Red Color Temperature Adjusting Ring |
| 4 | OP-640058 | Gasket |

| | ITEM # | DESCRIPTION |
|---|------------|---|
| A | OP-640001* | Shower Arm Flange |
| B | OP-640002* | Shower Arm |
| C | OP-640038* | 1.75 GPM Shower Head (For T-23X0, T-23X2) |
| D | OP-640037* | 1.75 GPM Rain Shower Head (For T-23X4, T-23X5) |
| E | OP-640041* | 1.75 GPM Shower Head (For T-2386, T-2387) |
| F | OP-440051* | Face Plate |
| G | OP-140011* | Lever Handle (For T-237X) |
| H | OP-140018* | Lever Handle (For T-238X) |
| I | OP-490011 | 3/32" Allen Wrench |
| J | OP-640007* | Diverter Tub Spout (For T-23X0, T-2386) |
| K | OP-640008* | Spout Escutcheon (For T-23X0, T-23X1, T-23X4, T-23X6) |

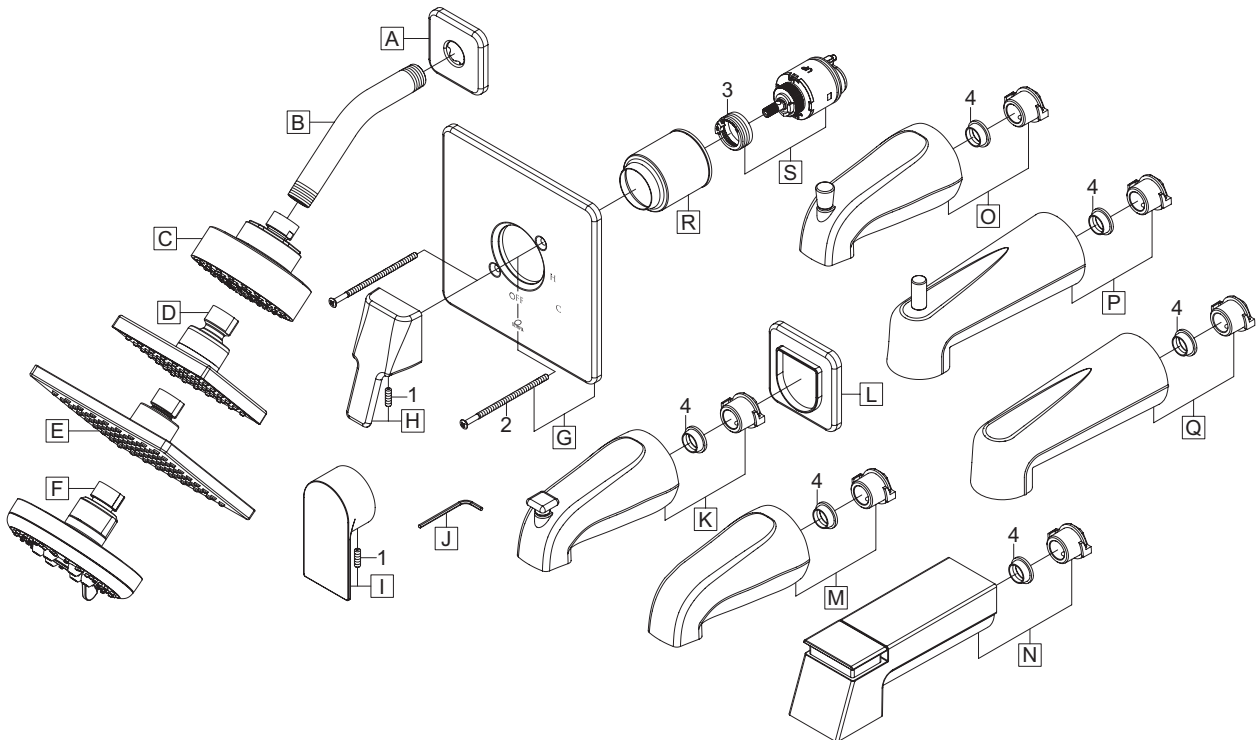


Exploded Drawing: (T-239X, T-2391X)

* Note: Please specify finish/color when ordering.

| | ITEM # | DESCRIPTION |
|---|------------|---|
| L | OP-440055* | Spout Escutcheon |
| M | OP-640019* | Tube Spout (For T-2391, T-23911) |
| N | OP-640043* | 7" Extended Diverter Tub Spout (For T-2396, T-2398) |
| N | OP-640044* | 7" Extended Tub Spout (For T-2397) |
| O | OP-640007* | Diverter Tub Spout (For T-23910) |
| P | OP-640040* | 7" Extended Diverter Tub Spout (For T-23914) |
| Q | OP-640034* | 7" Extended Tub Spout (For T-23917) |
| R | OP-440054* | Sleeve |
| S | OP-340009 | Ceramic Cartridge & Spool |
| 1 | OP-440043 | Allen Screw |
| 2 | OP-440010* | Face Plate Screws |
| 3 | OP-340010 | Red Color Temperature Adjusting Ring |
| 4 | OP-640058 | Gasket |

| | ITEM # | DESCRIPTION |
|---|------------|---|
| A | OP-640045* | Shower Arm Flange |
| B | OP-640002* | Shower Arm |
| C | OP-640038* | 1.75 GPM Shower Head (For T-2390, T-2392, T-23910, T-23912) |
| D | OP-640042* | 1.75 GPM Shower Head (For T-2394, T-2395, T-2398) |
| E | X-6400088* | 1.75 GPM Shower Head (For "-6" Suffix) |
| F | OP-640041* | 1.75 GPM Shower Head (For T-23914, T-23915) |
| G | OP-440056* | Face Plate |
| H | OP-140019* | Lever Handle (For T-239X) |
| I | OP-140021* | Lever Handle (For T-2391X) |
| J | OP-490011 | 3/32" Allen Wrench |
| K | OP-640046* | Diverter Tub Spout (For T-2390, T-2394(-6)) |



For more care information or trouble shooting inquiries about your Olympia product, Please call:
OLYMPIA FAUCETS, INC. (888) 772-7701
 Monday-Friday 8 AM to 8 PM EST (5 AM to 5 PM PST)
www.olympiafaucets.com