



**OLYMPIA FAUCETS, INC.**  
 3325 S. Garfield Ave.  
 Commerce, CA 90040  
 (888) 772-7701  
 www.olympiafaucets.com

# INSTALLATION

**Tools:**



Adjustable Wrench



Plumbers Putty



Teflon Tape



Rags

**Model Number: K-5030, K-5085, K-5086**

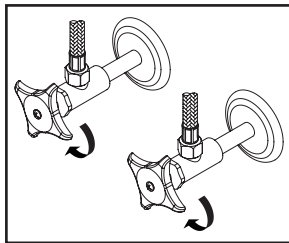


**Warnings and Notes:**

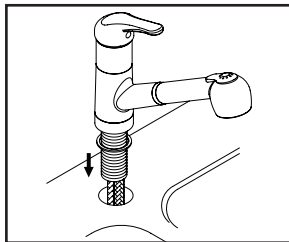
Check with local plumbing code requirements before installation.  
 This product should be installed by a local listed plumber.  
**Do not use plumbers putty on threads.**

**Installation Steps:**

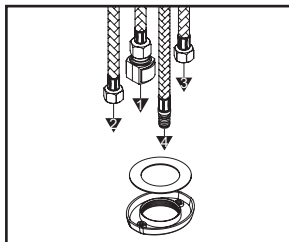
Single Handle Pull-Out Kitchen Faucet



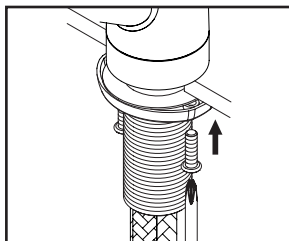
(1) Shut off the water supply. Remove old faucet. Clean mounting surface in preparation for new faucet.



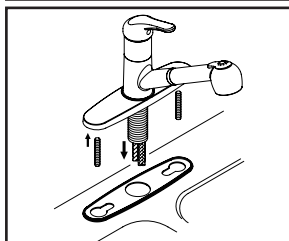
(2a) **For 1-Hole Installation:**- Make sure gasket is under faucet body. Insert faucet shank through mounting hole. Make sure spout swivel angle are even to the right and to the left.



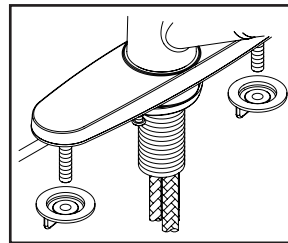
(2b) With flat side of the locknut facing down and the steel washer inside the locknut please follow the order as the drawing shows to insert flex hoses through the center hole of the locknut from underneath the sink.



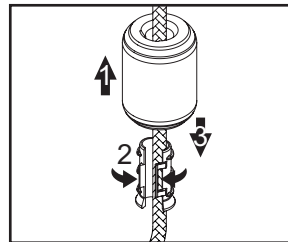
(2c) Thread locknut onto the faucet shank from underneath the sink. Position faucet to desired location from the top and hand-tighten locknut till it won't go further. Thread both screws on locknut and tighten screws on locknut with the help of a Phillips head screwdriver to secure faucet. (Note: Do not overtighten.)



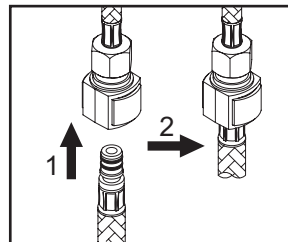
(3a) **For 3-Hole Installation:**- Thread mounting bolts to deck plate, apply plumbers putty under the base gasket, place faucet on the deck plate, make sure spout swivel angle are even to the right and to the left. Lead inlet & outlet flex hoses through center mounting hole to place faucet with deck plate and base gasket in position on the sink. Hand-tighten locknut to the faucet and tighten screws on locknut with the help of Phillips head screwdriver from underneath the sink.



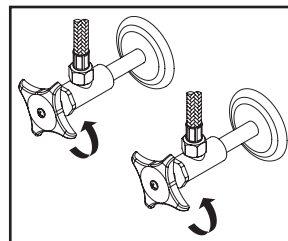
(3b) Thread and tighten both mounting nuts to mounting bolts from underneath the sink to secure faucet on the sink.



(4) 1. Slide rolling weight through spray head hose. 2. snap adapter in proper position on spray head hose. 3. Slide down rolling weight through adapter to secure weight.



(5) Insert spray head hose into the end of quick connect adapter on the outlet hose, push until a "click" sound is heard. Pull down the spray head hose to test engagement.

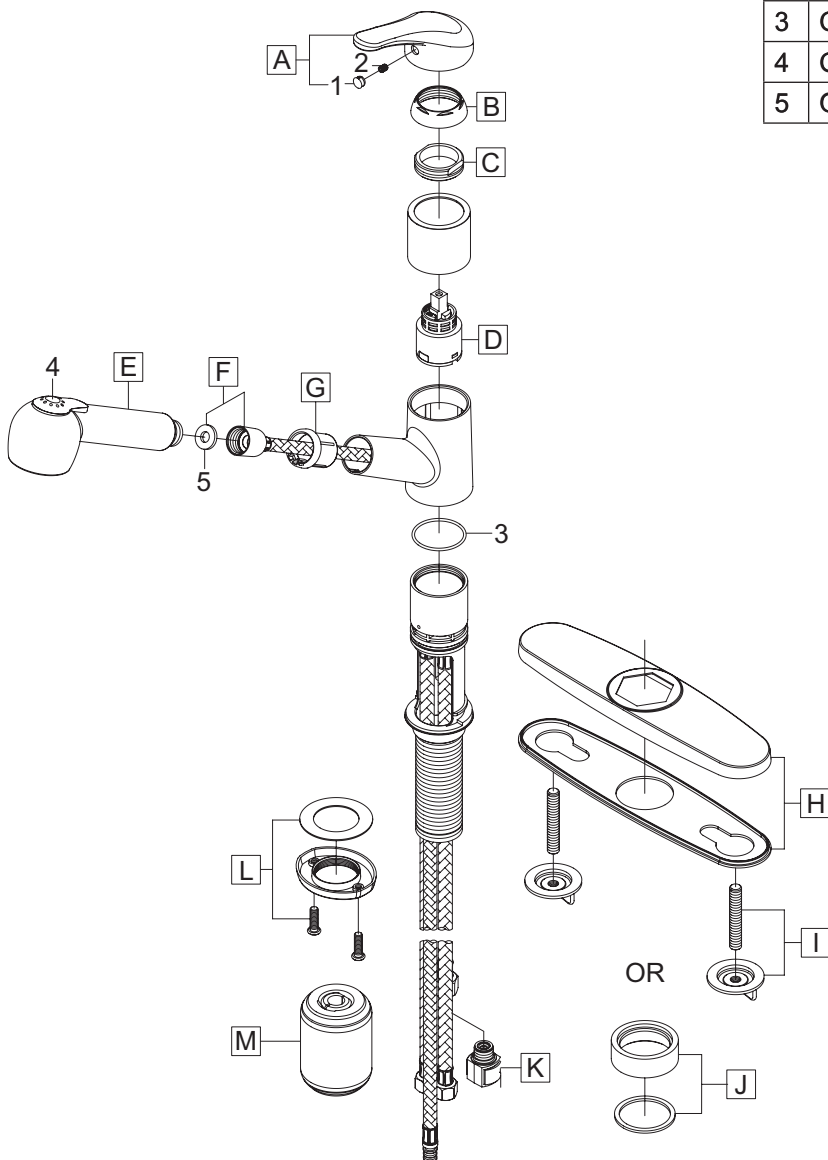


(6) Connect hot and cold inlet supply hoses to supply stops. For supply stop with 1/2" outlet connection, use 3/8" male to 1/2" female adapter for installation. Adapters are optional and are not provided with the faucet. Turn on both side supply stops to check any leaks.

# Exploded Drawing (K-5030):

\* Note: Please specify finish/color when ordering.

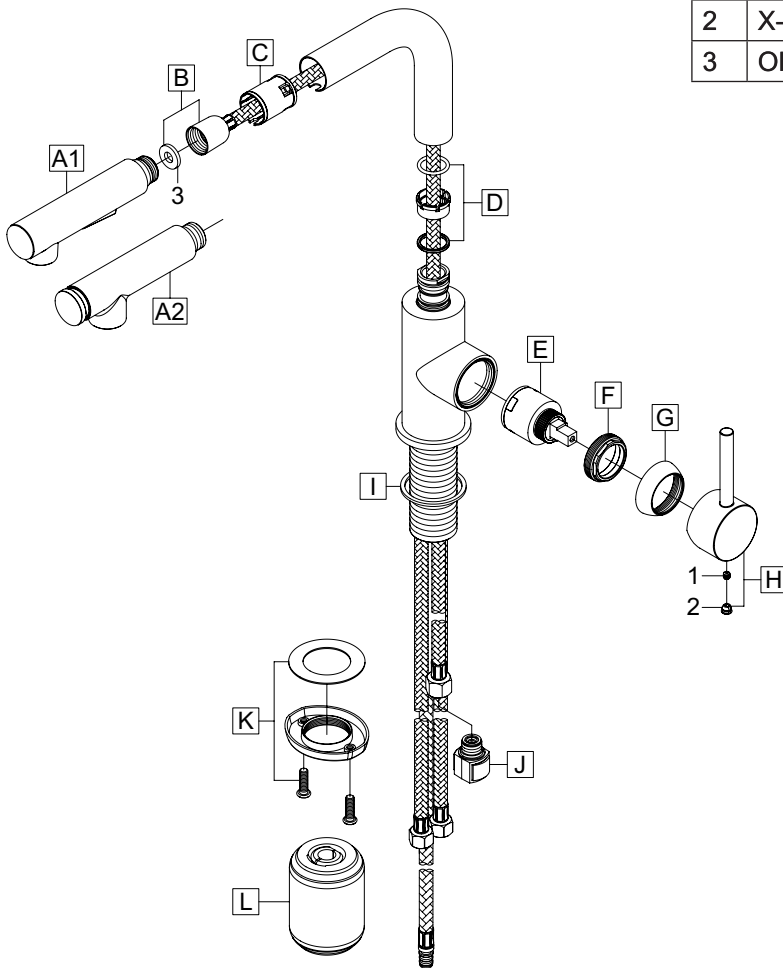
	ITEM #	DESCRIPTION
A	OP-120005*	Metal Lever Handle
B	OP-420043*	Cap
C	OP-420042	Retainer Nut
D	OP-320002	Ceramic Disc Cartridge
E	OP-420012*	1.5 GPM Spray Head
F	OP-420096	Spray Head Hose
G	OP-420011	Spray Head Support
H	OP-420013*	Deck Plate & Base Gasket
I	OP-520003	Mounting Bolts & Nuts
J	OP-520016*	Escutcheon & Gasket
K	X-4200199	Quick Connect
L	OP-520015	Locknut with Screws
M	OP-420093	Rolling Weight With Adapter
1	OP-490005	Hole Cover
2	OP-490029	Allen Screw
3	OP-420010	O-Ring
4	OP-420017	Spray Head Button
5	OP-420075	Washer



## Exploded Drawing (K-5085, K-5086):

\* Note: Please specify finish/color when ordering.

	ITEM #	DESCRIPTION
A1	OP-420097*	1.5 GPM Spray Head (For K-5085)
A2	OP-420098*	1.5 GPM Spray Head (For K-5086)
B	OP-420096	Spray Head Hose
C	OP-420099	Spray Head Support
D	X-4200190	Spout Repair Kit
E	X-3900008	Ceramic Disc Cartridge
F	X-4900018	Retainer Nut
G	X-4900017*	Cap
H	X-1900008*	Lever Handle
I	X-4200076	Gasket
J	X-4200199	Quick Connect
K	OP-520015	Lockunt with Screws
L	OP-420093	Rolling Weight With Adapter
1	X-4400024	Allen Screw
2	X-4900044*	Hole Cover
3	OP-420075	Washer



**OLYMPIA**

For more care information or trouble shooting inquiries  
about your Olympia product, Please call:  
**OLYMPIA FAUCETS, INC.** (888) 772-7701  
Monday-Friday 8 AM to 8 PM EST (5 AM to 5 PM PST)  
[www.olympiafaucets.com](http://www.olympiafaucets.com)