



**OLYMPIA FAUCETS, INC.**  
3325 S. Garfield Ave.  
Commerce, CA 90040  
(888) 772-7701  
www.olympiafaucets.com

# INSTALLATION

## Tools:



Adjustable Wrench



Plumbers Putty



Teflon Tape



Rags

**Model Number:** TD-230X, TD-237X, TD-238X,  
TD-239X, TD-2391X

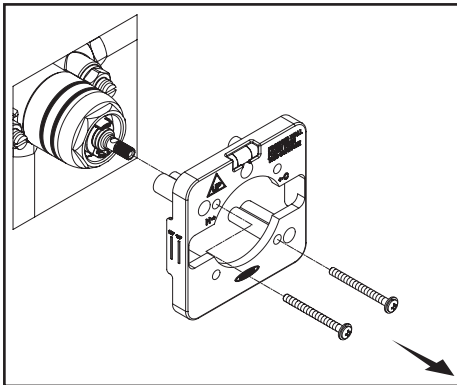
## Warnings and Notes:

Check with local plumbing code requirements before installation.  
This product should be installed by a local listed plumber.

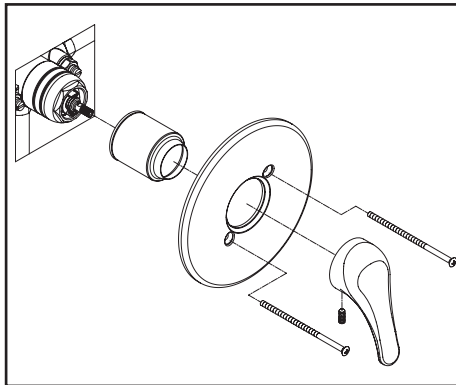
**Do not use plumbers putty on threads.**

## Installation Steps:

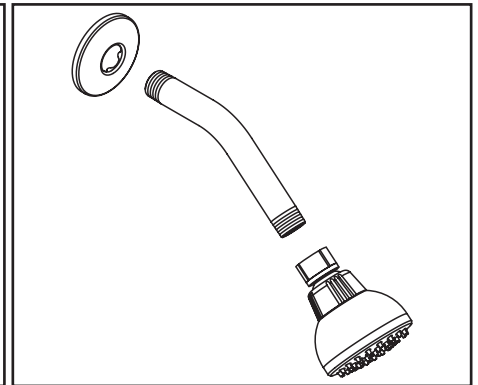
Single Handle Tub / Shower Trim Set



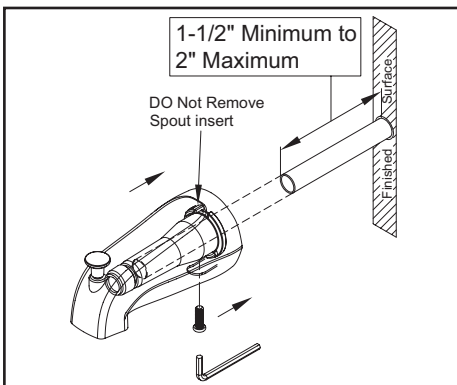
(1) Remove mud guard.



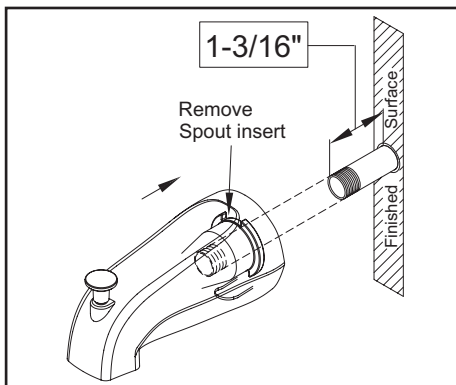
(2) Install sleeve, face plate and handle.



(3) Apply Teflon tape on both thread ends of the shower arm and install shower arm and shower head.



(4) For slip-fit installation: The 1/2" nominal copper tube must be cut with a length of minimum 1-1/2" to maximum 2" from tub or finished wall, please add 1/4" more if there is a spout escutcheon. The end of copper tube should be chamfered free of any burrs to prevent cutting or nicking rubber gasket inside the spout. The outside surface of copper tube needs to be sanded free from nicks and scratches. Press and twist the spout straightly over the copper tube till flush with tub or finished wall, tighten set screw on the bottom of the spout but do not overtighten.

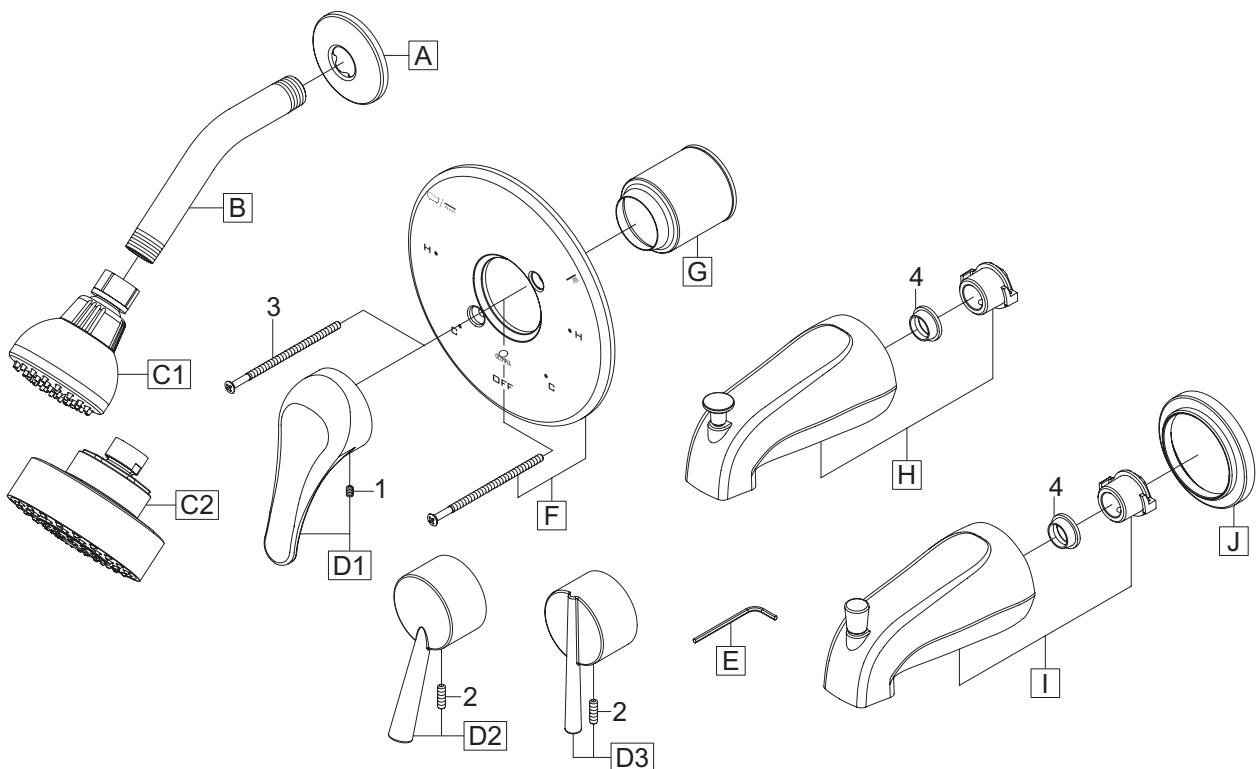


(5) For IPS installation: the 1/2" threaded pipe nipple must be kept with a length of 1-3/16" from tub or finished wall, please add 1/4" more if there is a spout escutcheon. Remove the hexagonal nut and rubber gasket from the spout by using 1-1/32" plumber socket. Apply Teflon tape at the threaded end of pipe nipple. Screw the spout onto the pipe nipple and tighten by using strap wrench.

# Exploded Drawing: (TD-230X, TD-237X, TD-238X)

\* Note: Please specify finish/color when ordering.

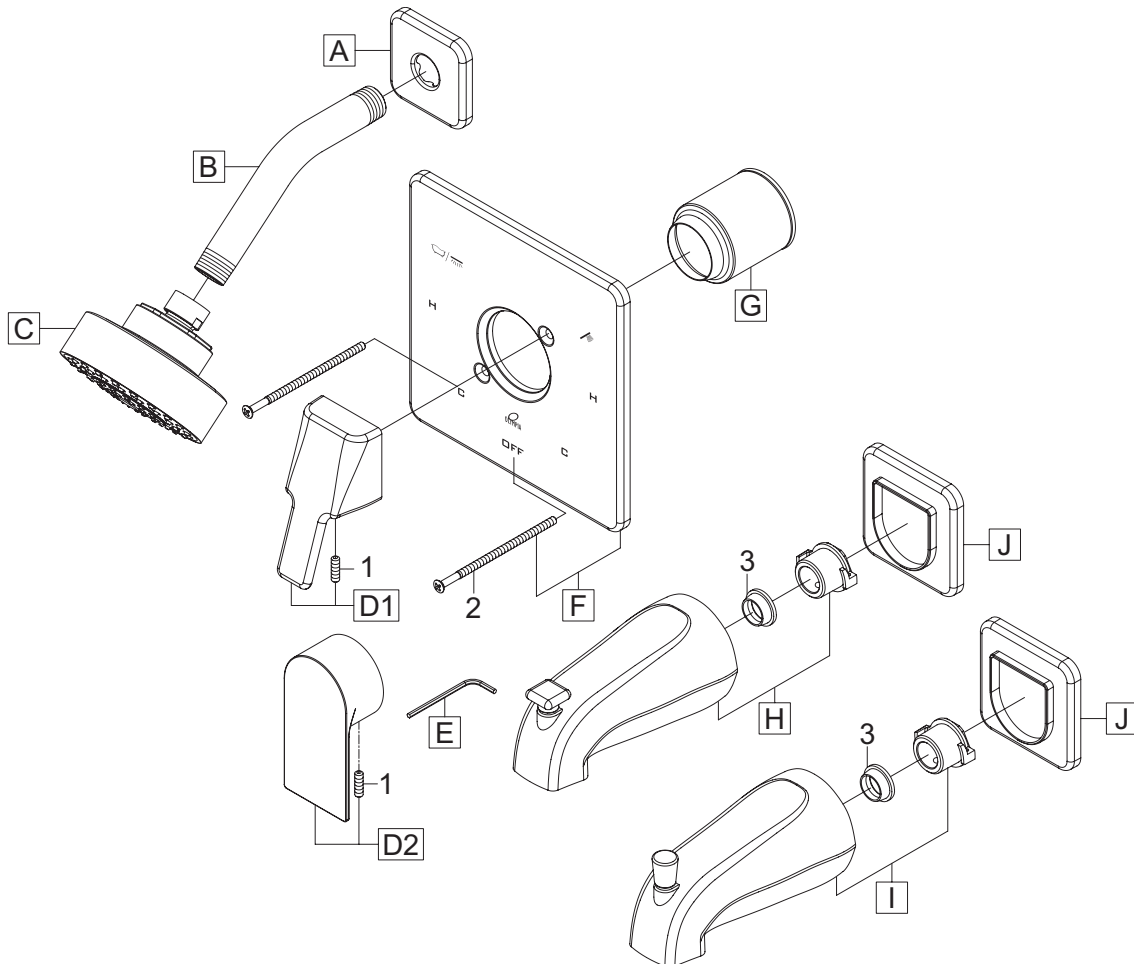
	ITEM #	DESCRIPTION
A	OP-640001*	Shower Arm Flange
B	OP-640002*	Shower Arm
C1	OP-640053*	1.5 GPM Shower Head (For TD-230X)
C2	OP-640038*	1.75 GPM Shower Head (For TD-237X, TD-238X)
D1	OP-140014*	Lever Handle (For TD-230X)
D2	OP-160003*	Lever Handle (For TD-237X)
D3	OP-140018	Lever Handle (For TD-238X)
E	OP-490011	3/32" Allen Wrench
F	OP-440069*	Face Plate
G	OP-440054*	Sleeve
H	OP-640018*	Diverter Tub Spout (For TD-2300)
I	OP-640007*	Diverter Tub Spout (For TD-2370, TD-2380)
J	OP-640008*	Spout Escutcheon (For TD-2370, TD-2380)
1	OP-490029	Allen Screw
2	OP-440043	Allen Screw
3	OP-440010*	Face Plate Screws
4	OP-640058	Gasket



# Exploded Drawing: (TD-239X, TD-2391X)

\* Note: Please specify finish/color when ordering.

	ITEM #	DESCRIPTION
A	OP-640045*	Shower Arm Flange
B	OP-640002*	Shower Arm
C	OP-640038*	1.75 GPM Shower Head (For TD-239X, TD-2391X)
D1	OP-140019*	Lever Handle (For TD-239X)
D2	OP-140021*	Lever Handle (For TD-2391X)
E	OP-490011	3/32" Allen Wrench
F	OP-440070*	Face Plate
G	OP-440054*	Sleeve
H	OP-640046*	Diverter Tub Spout (For TD-2390)
I	OP-640007*	Diverter Tub Spout (For TD-23910)
J	OP-440055*	Spout Escutcheon
1	OP-440043	Allen Screw
2	OP-440010*	Face Plate Screws
3	OP-640058	Gasket



For more care information or trouble shooting inquiries  
about your Olympia product, Please call:  
**OLYMPIA FAUCETS, INC.** (888) 772-7701  
Monday-Friday 8 AM to 8 PM EST (5 AM to 5 PM PST)  
[www.olympiafaucets.com](http://www.olympiafaucets.com)



**OLYMPIA FAUCETS, INC.**  
3325 S. Garfield Ave.  
Commerce, CA 90040  
(888) 772-7701  
www.olympiafaucets.com

# INSTALLATION

**Tools:**



Power Drill



Silicone Sealant



Teflon Tape



Rags

## Model Number: P-4440

### Warnings and Notes:

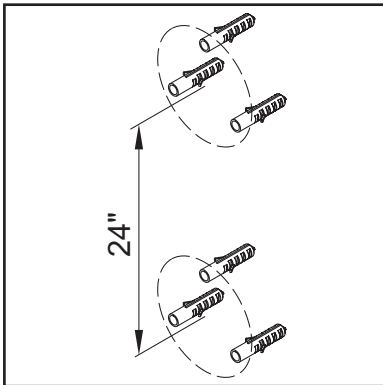
Check with local plumbing code requirements before installation.

This product should be installed by a local listed plumber.

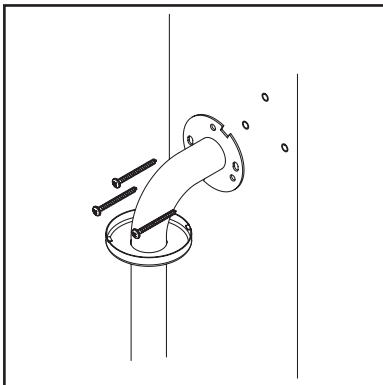
**Do not use plumbers putty on threads.**

### Installation Steps:

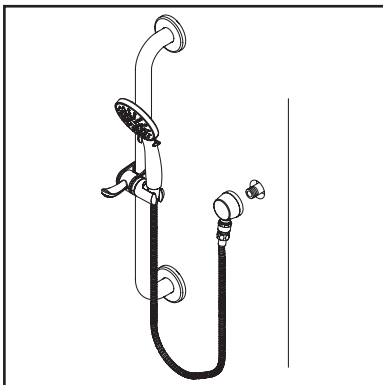
Handheld Shower Set



(1) Locate where to install the slide/grab bar and use a pen to mark the location of all six mounting screws. Use a power drill to drill 5/16" screw holes. Insert the screw anchors into the holes and hammer them flush to the wall as shown in the drawing.



(2) Secure the slide/grab bar on the wall by tightening the mounting screws into the screw anchors. Place both flanges to cover the mounting screws as shown in the drawing.

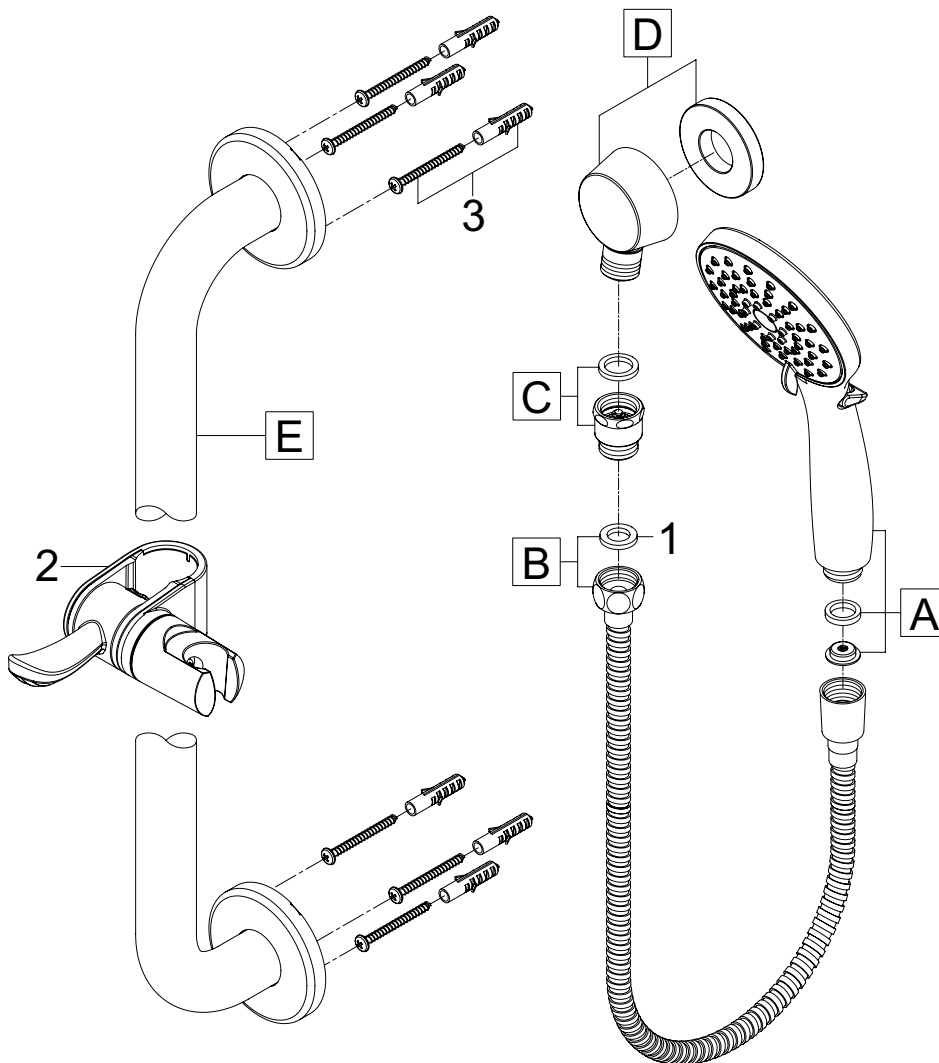


(3) Apply Teflon tape on the thread end of the pipe nipple and attach the drop ell to the pipe nipple. Connect the handheld shower and vacuum breaker to the hose and attach the hose to the drop ell. Turn on the water to check for any leaks.

# Exploded Drawing:

\* Note: Please specify finish/color when ordering.

	ITEM #	DESCRIPTION
A	OP-660008*	1.75 GPM Handheld Showerhead
B	OP-460027*	60" SST Hose
C	OP-460020*	Vacuum Breaker
D	OP-460006*	Drop Ell
E	OP-460028*	Grab Bar
1	OP-460025	Washer
2	OP-460029	Handheld Shower Holder
3	OP-460030	Mounting Kit



For more care information or trouble shooting inquiries about your Olympia product, Please call:  
**OLYMPIA FAUCETS, INC.** (888) 772-7701  
 Monday-Friday 8 AM to 8 PM EST (5 AM to 5 PM PST)  
[www.olympiafaucets.com](http://www.olympiafaucets.com)