



Olympia Faucets
VALUE FOR BUILDERS



Single Handle Diverter Trim Set

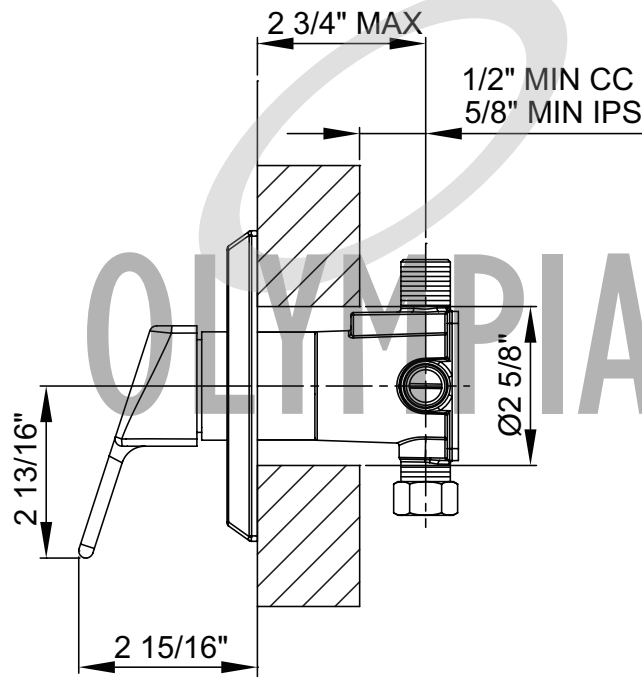
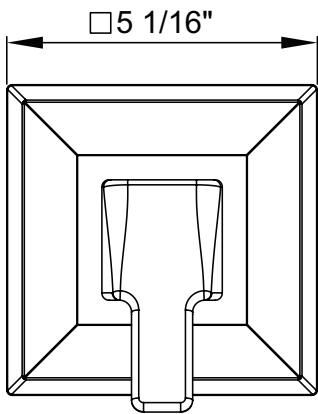
- Lever Handle
- Diverter Valve Face Plate
- Diverter Valve Sleeve
- For Use with 4100B Valve - Valve not included

Code and Standards

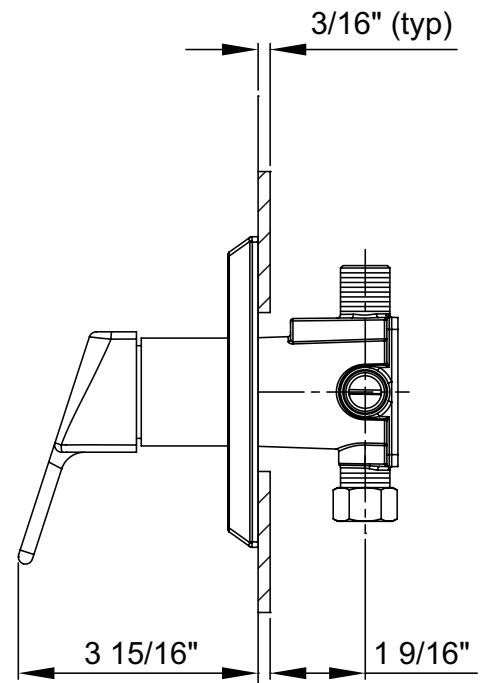
- ASME A112.18.1-2018/CSA B125.1-18
- ADA: Compliance to ICC/ANSI A117.1 (Lever Handle Only)



*For other finishes and flow rates offered, please visit our website, email an inquiry to sales@pioneerind.com or contact our sales at 800-338-9468



THICK WALL



THIN WALL