



Two Handle Lavatory Widespread Faucet

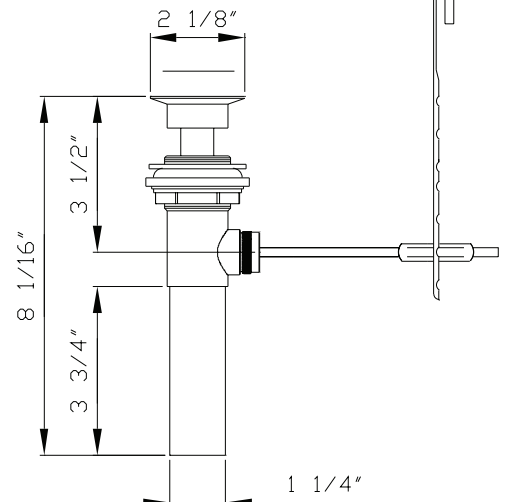
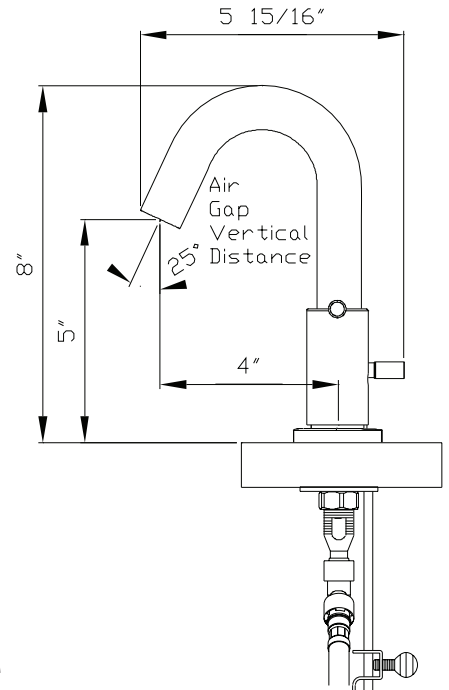
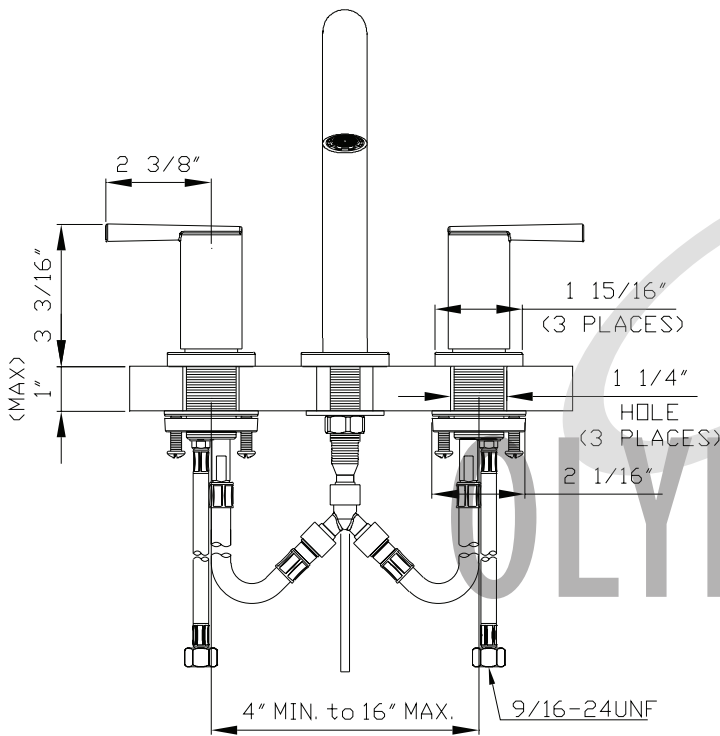
- Lever Handles
- Rigid Gooseneck Spout
- 4" Reach, 5" From Deck to Aerator
- Ceramic Disc Cartridges
- 3-Hole 4" to 16" Installation
- Brass Pop-Up Drain Assembly
- With 1.2 GPM Flow Rate
- Easy-install mounting nut

Code and Standards

- ASME A112.18.1-2018/CSA B125.1-18
- Cal Green
- NSF/ANSI/CAN 61
- Compliance with AB1953/S152/HB372
- NSF/ANSI 372
- EPA Watersense
- ADA: Compliance to ICC/ANSI A117.1 (Lever Handle Only)



*For other finishes and flow rates offered, please visit our website, email an inquiry to sales@pioneerind.com or contact our sales at 800-338-9468



Brass Pop-Up Drain