



**OLYMPIA FAUCETS, INC.**

Interchange City Distribution Center #20  
1277 Heil Quaker Boulevard  
La Vergne, TN 37086  
(888) 772-7701  
www.olympiafaucets.com

**Model Number:** P-2000, P-2001, P-2002, P-2020,  
P-2021, P-2022 (CP, PVD BN)

**Tools:**



Adjustable Wrench



Plumbers Putty



Teflon Tape



Rags

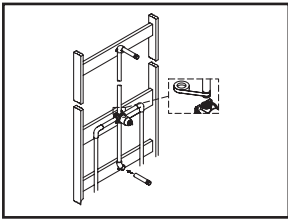


**Warnings and Notes:**

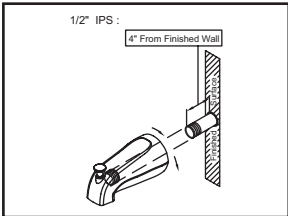
Check with local plumbing code requirements before installation.  
This product should be installed by a local listed plumber.  
**Do not use plumbers putty on threads.**

**Installation Steps:**

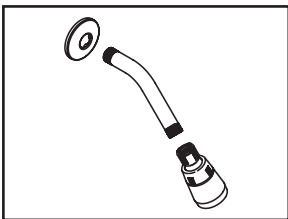
Single Handle Tub And Shower Trim Set



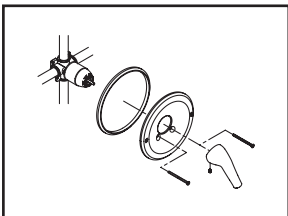
(1) Install inlets and outlets connection to the valve. Apply Teflon tape at threaded connections. For threaded connections do not overtighten.



(2) The 1/2" pipe thread nipple must be kept with the length of 4" from finished wall. Apply Teflon tape at thread end, screw tub spout onto pipe thread nipple and tighten by strap wrench.



(3) Use silicon to caulk the back of shower arm flange. Slide shower arm flange on shower arm. Apply Teflon tape on both thread ends of shower arm, install shower arm to elbow and tighten with help of strap wrench. Press shower arm flange against finished wall. Turn on water to flush the system. Turn off water and attach showerhead to shower arm.

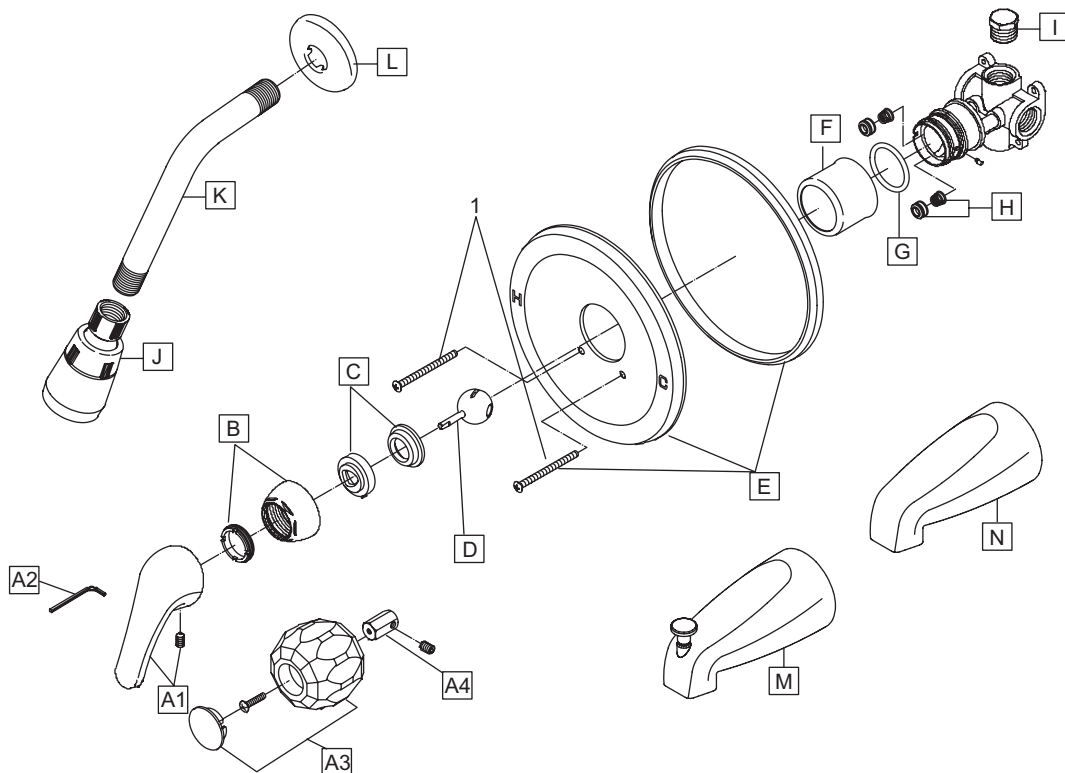


(4) Slide the face plate on the valve. Secure the face plate with the help of face plate screws. Use silicon to caulk around the face plate. Tighten the set screw on the bottom of handle with help of 1/8" Allen wrench to secure the handle on the valve.

## Exploded Drawing:

\* Note: Please specify finish/color when ordering.

	ITEM #	DESCRIPTION
A1	OP-140006*	Metal Lever Handle
A2	OP-490036	1/8" Allen Wrench
A3	OP-190008	Acrylic Ball Handle
A4	OP-490023	Acrylic Handle Adapter
B	OP-490003*	Cap & Adjusting Ring
C	OP-490004	Cam & Washer
D	OP-390001	Stainless Steel Ball
E	OP-440018*	Face Plate
F	OP-440032*	Valve Sleeve
G	OP-420001	O-Ring
H	OP-490041	Springs & Seats
I	OP-440020	Plug
J	OP-640005*	Single Function Standard Showerhead
K	OP-640002*	6" Shower Arm
L	OP-640001*	Shower Arm Flange
M	OP-640015*	1/2" IPS Diverter Tub Spout (For P-2000, P-2020)
N	OP-640014*	1/2" IPS Tub Spout (For P-2001, P-2021)
1	OP-440019*	Faceplate Screws



**OLYMPIA**

For more care information or trouble shooting inquiries about your Olympia product, Please call:

**OLYMPIA FAUCETS, INC.** (888) 772-7701

8AM - 8PM EST (5AM to 5PM PST)

[www.olympiafaucets.com](http://www.olympiafaucets.com)