

# PART BREAKDOWN SHEET



## I2 SINGLE HANDLE LAVATORY FAUCET



**Model #:** \_\_\_\_\_  
**Specific Features:** \_\_\_\_\_  
**Project Name:** \_\_\_\_\_  
**Submitted For:** \_\_\_\_\_  
**Date:** \_\_\_\_\_

- Lever Handle
- 4-3/4" Reach, 2-1/2" From Deck to Aerator
- Ceramic Disc Cartridge
- 1-Hole Installation
- Easy-Install 18" Flex Supply Lines with 3/8" Connections
- With 1.5 GPM Flow Rate

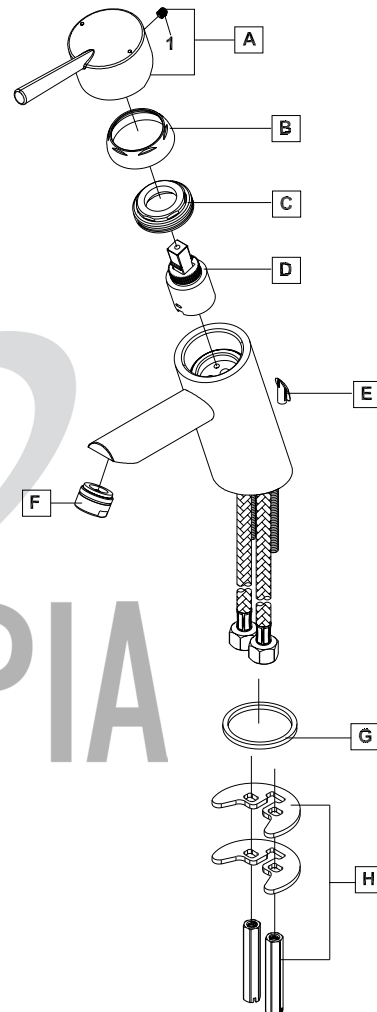
# L-6051 SHOWN **ADA**

Model #	Features	Finish	
L-6051*		CP	
L-6051-BN*		PVD BN	
L-6051G*	With Grid Strainer Drain	CP	
L-6051G-BN*	With Grid Strainer Drain	PVD BN	

**Olympia products are engineered and manufactured to meet the following standards and codes:**

- ASME A112.18.1
- ANSI A117.1
- ANSI / NSF 61, SECTION 9
- CONTAINS NO MORE THAN 0.25% WEIGHTED AVERAGE LEAD CONTENT

\* Aerator limited to 1.5 GPM Flow Rate



ITEM #	DESCRIPTION
A	OP-130001* Lever Handle
B	OP-430021* Cap
C	OP-430022 Retainer Nut
D	OP-390003 Ceramic Disc Cartridge
E	OP-430023* Hole Cover
F	OP-430024* Aerator
G	OP-430025 Washer
H	OP-530005 Mounting Kit
I	OP-630001* Grid Strainer Drain (For L-6051G)
1	OP-490029 3/32" Allen Screw

\* Note- Please Specify finish\color code while ordering.

# PARTS BREAKDOWN SHEET



**Model Number: L-605X, L-605X-WD**

\* Note: Please specify finish/color when ordering.

	ITEM #	DESCRIPTION
A	OP-130001*	Lever Handle
B	OP-430031*	Cap
C	OP-430035	Retainer Nut
D	OP-390003	Ceramic Disc Cartridge
E	OP-430023*	Hole Cover (For L-6051(-WD), L-6051G(-WD))
F	OP-490063*	1.2 GPM Aerator
G	OP-430026*	Deck Plate (For "WD" Suffix)
H	OP-530005	Mounting Kit
I	OP-630005*	50/50 Pop-Up Drain Assembly (For L-6050(-WD))
J	OP-630006*	Brass Pop-Up Drain Assembly (For L-6052(-WD))
K	OP-630001*	Brass Grid Strainer Drain Assembly (For L-6051G(-WD))
1	OP-490029	3/32" Allen Screw

