

PARTS BREAKDOWN SHEET



ACCENT TWO HANDLE KITCHEN FAUCET



Model #: _____
Specific Features: _____
Project Name: _____
Submitted For: _____
Date: _____

- Lever Handles
- Gooseneck Style Spout
- 8-7/16" Reach, 8-1/8" From Deck to Aerator
- Washerless Cartridge Operation
- 4-Hole 8" Installation
- Side Spray Assembly
- With 1.5 GPM Flow Rate

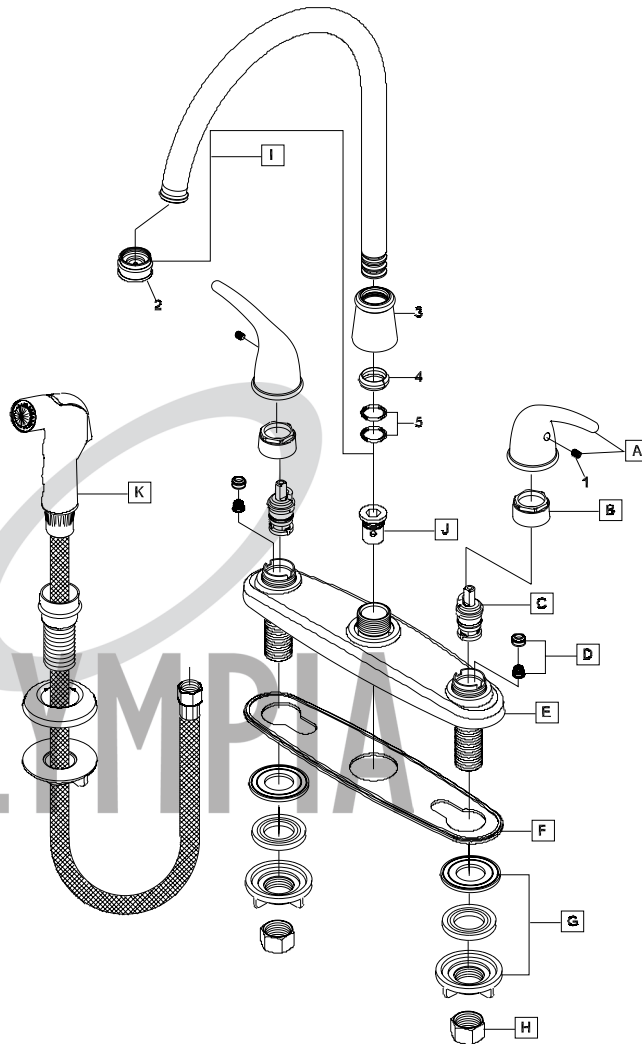
K-5372 SHOWN **ADA**

Model #	Features	Finish	
K-5372*		CP	
K-5372-BN*		PVD BN	
K-5372-ORB*		ORB	

Olympia products are engineered and manufactured to meet the following standards and codes:

- ASME A112.18.1
- ANSI A117.1
- ANSI / NSF 61, SECTION 9
- CONTAINS NO MORE THAN 0.25% WEIGHTED AVERAGE LEAD CONTENT

* Aerator limited to 1.5 GPM Flow Rate



ITEM #	DESCRIPTION
A	OP-190015C,H* Lever Handle Cold, Hot
B	OP-490040 Bonnet Nut
C	OP-390004 Cartridge- Brass Post
D	OP-490041 Springs and Seats
E	OP-420025* Deck Plate
F	OP-420026 Base Gasket
G	OP-520009 Mounting Locknut & Washer
H	OP-590001 Supply Nut
I	OP-220005* Gooseneck Spout
J	OP-420024 Diverter Piston
K	OP-420038* Side Spray Assembly
1	OP-490029 Allen Screw
2	OP-490057* 1.5 GPM Aerator
3	OP-450010* Spout Bonnet Nut
4	OP-490038 Spout snap ring
5	OP-490039 Spout O-ring

* Note- Please Specify finish\color code while ordering.

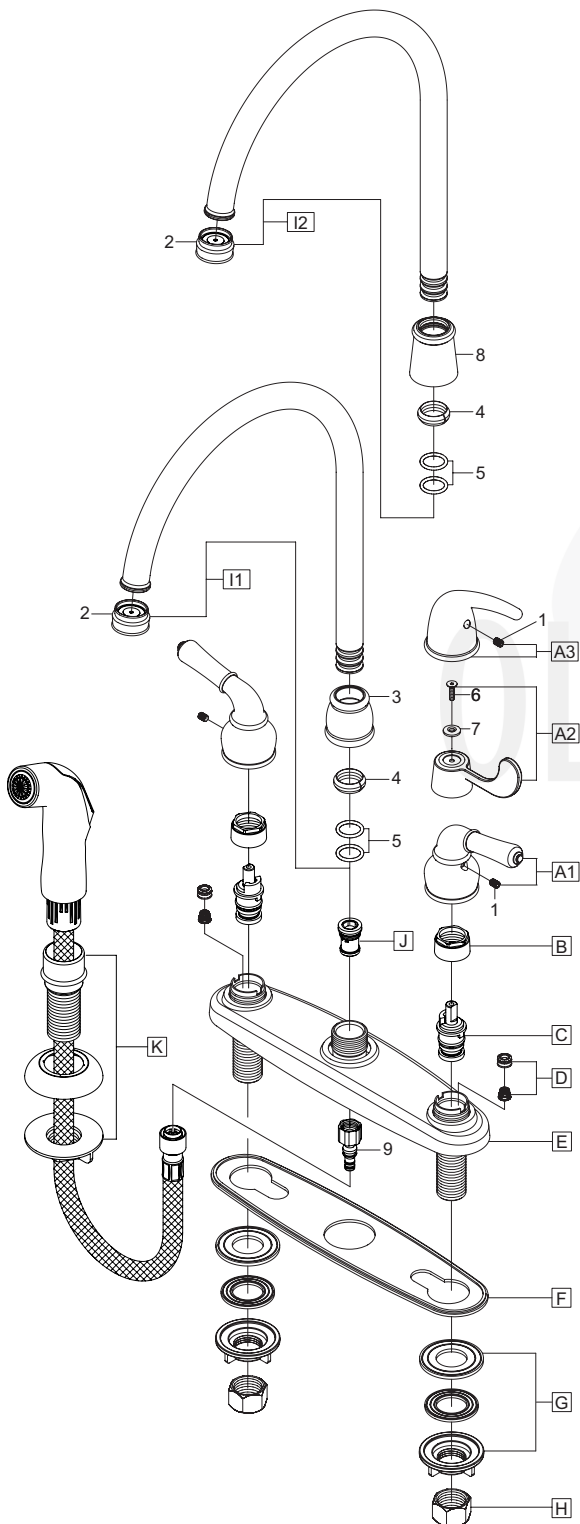
PARTS BREAKDOWN SHEET



Model Number: K-5340, K-5342, K-5350, K-5370, K-5372

* Note: Please specify finish/color when ordering.

* Note - Part #9 includes only on the product purchased after March 2019.



	ITEM #	DESCRIPTION
A1	OP-190010C, H*	Lever Handle Cold, Hot (For K-5340, K-5342)
A2	OP-190014C, H*	ADA Handle, Cold, Hot (For K-5350)
A3	OP-190015C, H*	Lever Handle Cold, Hot (For K-5370, K-5372)
B	OP-490040	Bonnet Nut
C	OP-390004	Cartridge- Brass Post
D	OP-490041	Springs and Seats
E	OP-420025*	Deck Plate
F	OP-420026	Base Gasket
G	OP-520009	Mounting Locknuts & Washers
H	OP-590001	Supply Nuts
I1	OP-220004*	Gooseneck Spout
I2	OP-220005*	Gooseneck Spout (For K-5370, K-5372)
J	OP-420024	Diverter Piston (For K-5342, K-5372)
K	OP-420077*	Side Spray Assembly (For K-5342, K-5372)
1	OP-490029	Allen Screw
2	OP-490057*	1.5 GPM Aerator
3	OP-490028*	Spout Bonnet Nut
4	OP-490038	Spout Snap Ring
5	OP-490039	Spout O-rings
6	OP-450013	Handle Screw
7	OP-490001C, H	Cold & Hot Indicator
8	OP-450010*	Spout Bonnet Nut (For K-5370, K-5372)
9	OP-420083	Quick Connect for part K