

PARTS BREAKDOWN SHEET



i2 SINGLE HANDLE PULL-DOWN KITCHEN FAUCET



Model #: _____
Specific Features: _____
Project Name: _____
Submitted For: _____
Date: _____

- Lever Handle
- Pull-Down Head with 2 Spray Patterns Swivel 360°
- 7-5/8" Reach, 7-1/4" From Deck to Aerator
- Ceramic Disc Cartridge
- 1 or 3-Hole 8" Installation
- Easy-Install 30" Flex Supply Lines With 3/8" Connections
- Deck Cover Plate Included
- 21-1/4" Overall Height

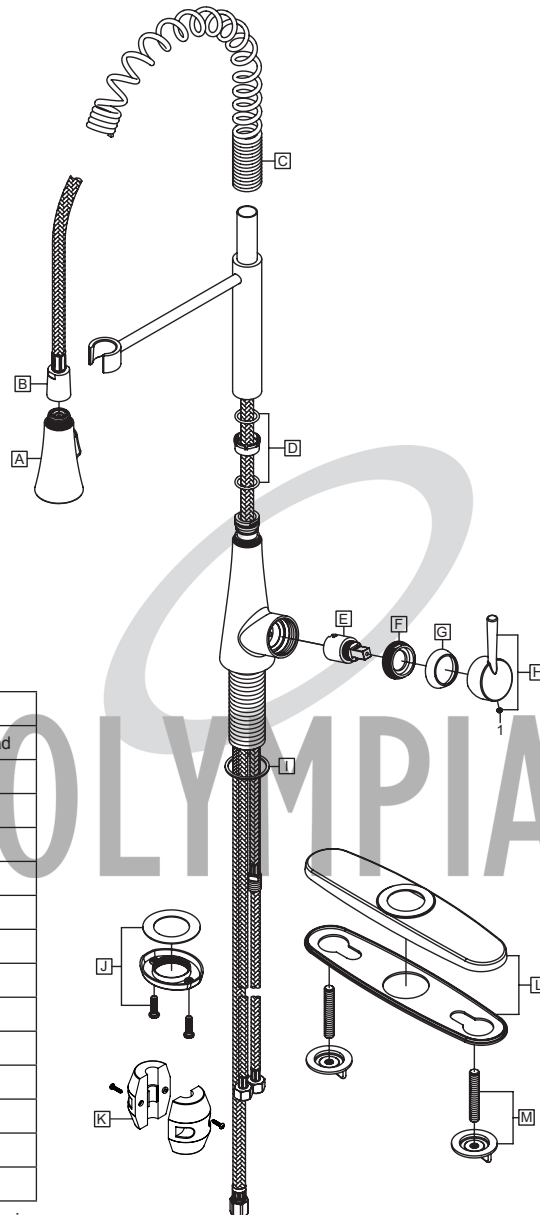
K-5010 SHOWN **ADA**

Model #	Features	Finish	
K-5010*		CP	
K-5010-BN*		PVD BN	

* Aerator limited to 1.8 GPM Flow Rate

Olympia products are engineered and manufactured to meet the following standards and codes:

- ASME A112.18.1
- ANSI A117.1
- ANSI / NSF 61, SECTION 9
- CONTAINS NO MORE THAN 0.25% WEIGHTED AVERAGE LEAD CONTENT



ITEM #	DESCRIPTION
A	OP-420067* 1.8 GPM Pull-Down Spray Head
B	X-4200189* Spray Head Flex Hose
C	OP-420069* Spring
D	OP-420056 Spout Repair Kit
E	OP-390003 Ceramic Disc Cartridge
F	OP-420057 Retainer Nut
G	OP-420058* Cap
H	OP-120004* Lever Handle
I	OP-420059 Washer
J	OP-520015 Mounting Kit with Screws
K	OP-420062 Weight
L	OP-420045* Deck Plate
M	OP-520003 Mounting Kit
1	OP-420061 Allen Screw

* Note- Please Specify finish/color code while ordering.

PARTS BREAKDOWN SHEET



i2 SINGLE HANDLE PULL-DOWN KITCHEN FAUCET



Model #: _____

Specific Features: _____

Project Name: _____

Submitted For: _____

Date: _____

- Lever Handle
- Pull-Down Head with 2 Spray Patterns Swivel 360°
- 7-5/8" Reach, 7-1/4" From Deck to Aerator
- Ceramic Disc Cartridge
- 1 or 3-Hole 8" Installation
- Easy-Install 30" Flex Supply Lines With 3/8" Connections
- Deck Cover Plate Included
- 21-1/4" Overall Height

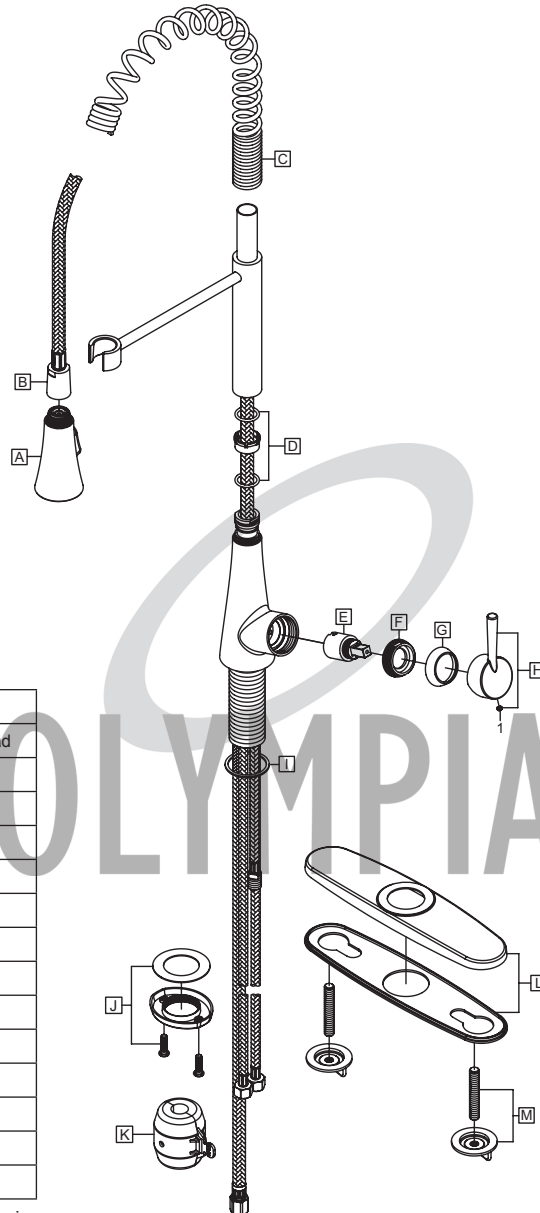
K-5010 SHOWN **ADA**

Model #	Features	Finish	
K-5010*		CP	
K-5010-BN*		PVD BN	

* Aerator limited to 1.8 GPM Flow Rate

Olympia products are engineered and manufactured to meet the following standards and codes:

- ASME A112.18.1
- ANSI A117.1
- ANSI / NSF 61, SECTION 9
- CONTAINS NO MORE THAN 0.25% WEIGHTED AVERAGE LEAD CONTENT



ITEM #	DESCRIPTION
A	OP-420067* 1.8 GPM Pull-Down Spray Head
B	X-4200189* Spray Head Flex Hose
C	OP-420069* Spring
D	OP-420056 Spout Repair Kit
E	OP-390003 Ceramic Disc Cartridge
F	OP-420057 Retainer Nut
G	OP-420058* Cap
H	OP-120004* Lever Handle
I	OP-420059 Washer
J	OP-520015 Mounting Kit with Screws
K	OP-420070 Click Weight
L	OP-420045* Deck Plate
M	OP-520003 Mounting Kit
1	OP-420061 Allen Screw

* Note- Please Specify finish/color code while ordering.

PARTS BREAKDOWN SHEET

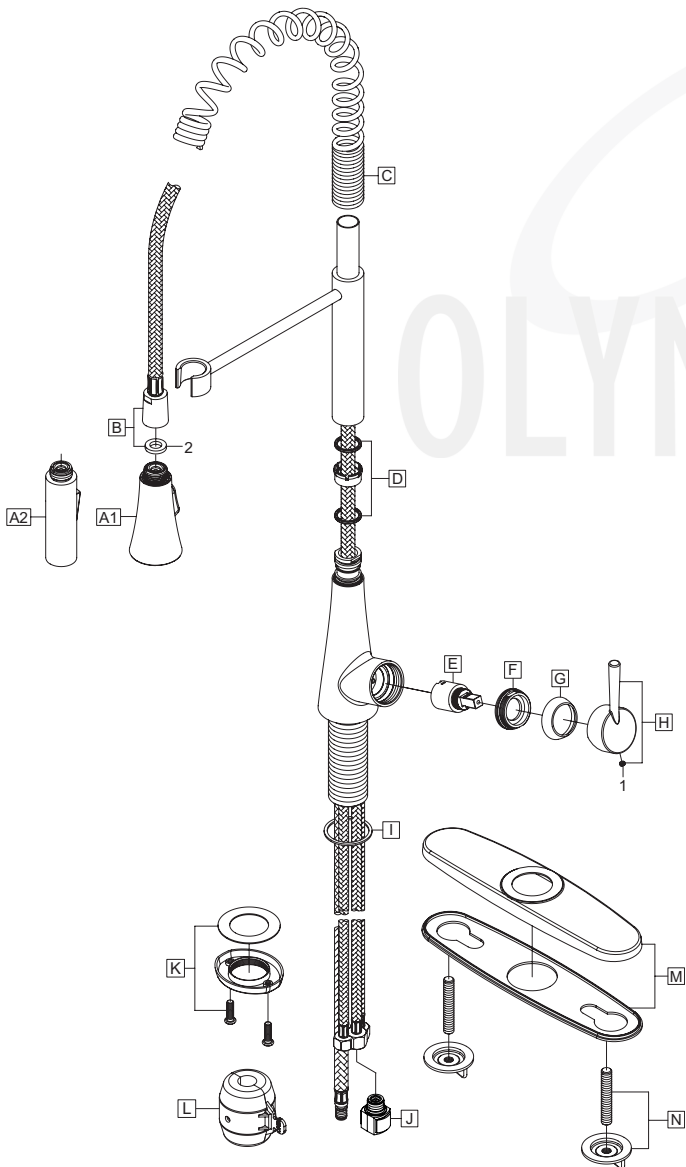


Model Number: K-5010

* Note: Please specify finish/color when ordering.

* Note - Parts J includes only on the product purchased after March 2019.

	ITEM #	DESCRIPTION
A1	OP-420067*	1.8 GPM Spray Head (For K-5010)
	OP-420082*	1.5 GPM Spray Head (For K-5010)
A2	X-4200181*	1.8 GPM Spray Head (For K-5015)
B	X-4200198*	Spray Hose
C	OP-420069*	Spring
D	X-4200191	Spout Repair Kit
E	OP-390003	Ceramic Disc Cartridge
F	OP-420057	Retainer Nut
G	OP-420058*	Cap
H	OP-120004*	Lever Handle
I	OP-420059	Washer
J	X-4200199	Quick Connect
K	OP-520015	Locknut with Screws
L	OP-420070	Weight
M	OP-420045*	Deck Plate & Base Gasket
N	OP-520003	Mounting Bolts & Nuts
1	OP-420061	Allen Screw
2	OP-420075	Washer



PARTS BREAKDOWN SHEET



Model Number: K-5010, K-5015

* Note: Please specify finish/color when ordering.

* Note: 1.8 GPM Spray Head replaced by 1.5 GPM Spray Head for product purchased after March 2020.

	ITEM #	DESCRIPTION
A1	OP-420082*	1.5 GPM Spray Head (For K-5010)
A2	X-4200194*	1.5 GPM Spray Head (For K-5015)
B	X-4200198*	Spray Hose
C	OP-420069*	Spring
D	X-4200191	Spout Repair Kit
E	OP-390003	Ceramic Disc Cartridge
F	OP-420057	Retainer Nut
G	OP-420058*	Cap
H	OP-120004*	Lever Handle
I	OP-420059	Washer
J	X-4200199	Quick Connect
K	OP-520015	Locknut with Screws
L	OP-420070	Weight
M	OP-420045*	Deck Plate & Base Gasket
N	OP-520003	Mounting Bolts & Nuts
1	OP-420061	Allen Screw
2	OP-420075	Washer

