

PARTS BREAKDOWN SHEET



ELITE SINGLE HANDLE KITCHEN FAUCET



Model #: _____
Specific Features: _____
Project Name: _____
Submitted For: _____
Date: _____

- Metal Lever Handle
- 'D' Style Spout
- 7-15/16" Reach, 4-3/4" From Deck to Aerator
- Stainless Steel Ball Operation
- 4-Hole 8" Installation
- Side Spray Assembly
- With 1.5 GPM Flow Rate

K-4161 SHOWN **ADA**

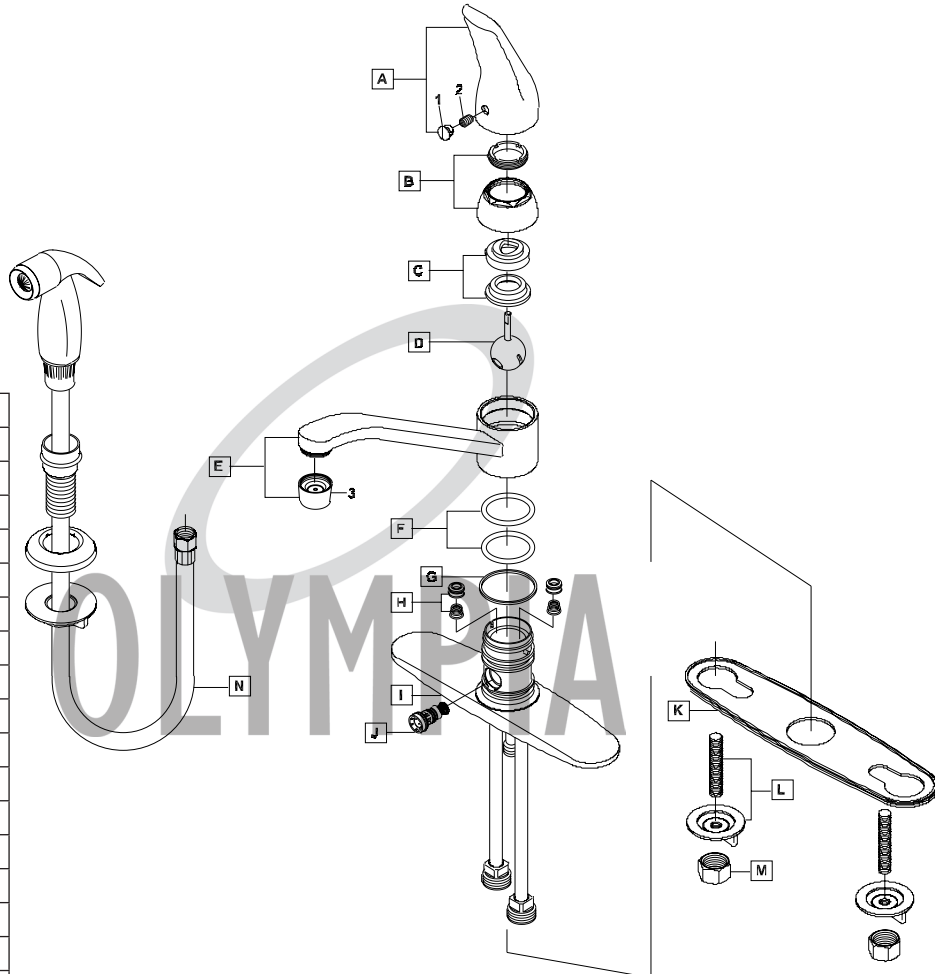
Model #	Features	Finish	
K-4161*		CP	
K-4161-BN*		PVD BN	
K-4161B*	Builder Tract Pack	CP	
K-4161B-BN*	Builder Tract Pack	PVD BN	

Olympia products are engineered and manufactured to meet the following standards and codes:

- ASME A112.18.1
- ANSI A117.1
- ANSI / NSF 61, SECTION 9
- IAPMO LISTED
- CONTAINS NO MORE THAN 0.25% WEIGHTED AVERAGE LEAD CONTENT

* Aerator limited to 1.5 GPM Flow Rate

ITEM #	DESCRIPTION
A	OP-190001* Metal Lever Handle
B	OP-490003* Cap & Adjusting Ring
C	OP-490004 Cam and Washer
D	OP-390001 Stainless Steel Ball
E	OP-220001* 'D' Style Spout
F	OP-420001 O-Ring
G	OP-420002 Gasket
H	OP-490041 Springs and Seats
I	OP-420003* Deck Plate
J	OP-420005 Diverter Piston
K	OP-420004 Base Gasket
L	OP-520003 Mounting Bolt & Nut
M	OP-590001 Supply Nut
N	OP-420051** Side Spray Assembly
1	OP-490002 Hot & Cold Indicator
2	OP-490043 Allen Screw
3	OP-490035* 1.5 GPM Aerator



* Note- Please Specify finish/color code while ordering.

** Note- OP-420022 will be replaced by OP-420051 once Stock depleted.

PARTS BREAKDOWN SHEET



Model Number: K-4160, K-4161, K-4162, K-4163, K-4164, K-4170, K-4171

	ITEM #	DESCRIPTION
K	OP-420004	Base Gasket
L1	OP-520003	Mounting Bolts & Nuts (For K-4160, K-4161, K-4162, K-4170, K-4171)
L2	OP-520002	Mounting Bolt & Nut (For K-4163, K-4164)
M	OP-590001	Supply Nuts
N1	OP-420078*	Side Spray Assembly (For K-41X1)
N2	OP-420079	Side Spray Assembly (For K-4163)
N3	OP-420077*	Side Spray Assembly (For K-4162)
N4	OP-420080	Side Spray Assembly (For K-4164)
1	OP-490002	Hot & Cold Indicator
2	OP-490043	Allen Screw
3	OP-490035*	1.5 GPM Aerator
4	OP-420083	Quick Connect for N1, N2, N3, N4

	ITEM #	DESCRIPTION
A1	OP-190001*	Metal Lever Handle (For K-416X)
A2	OP-190002*	Metal Loop Handle (For K-417X)
B	OP-490003*	Cap & Adjusting Ring
C	OP-490004	Cam and Washer
D	OP-390001	Stainless Steel Ball
E	OP-220001*	'D' Style Spout
F	OP-420001	O-Rings
G	OP-420002	Gasket
H	OP-490041	Springs and Seats
I1	OP-420003*	Deck Plate (For K-4160, K-4161, K-4162, K-417X)
I2	OP-420006	Deck Plate (For K-4163, K-4164)
J	OP-420005	Diverter Piston (For K-4161, K-4162, K-4163, K-4164, K-4171)

* Note: Please specify finish/color when ordering.

* Note - Parts #4 includes only on the product purchased after March 2019.

