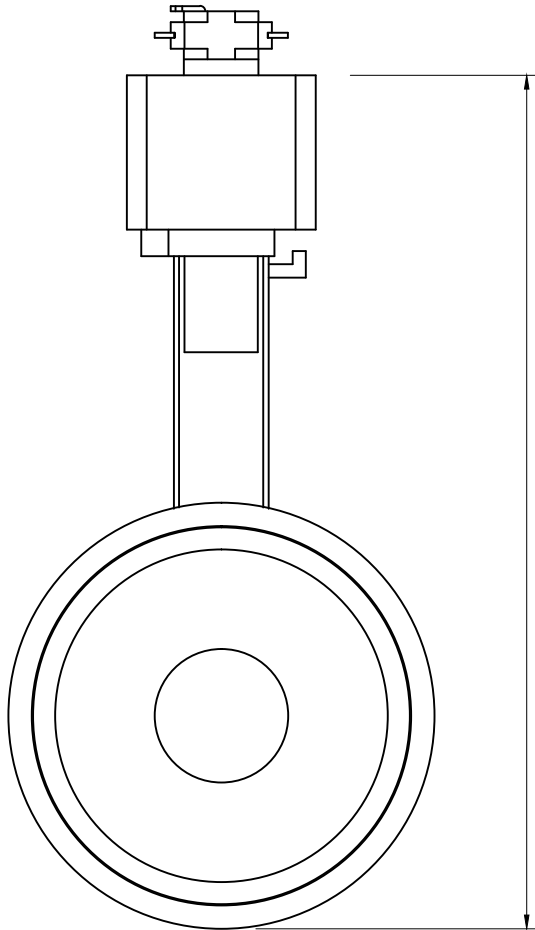
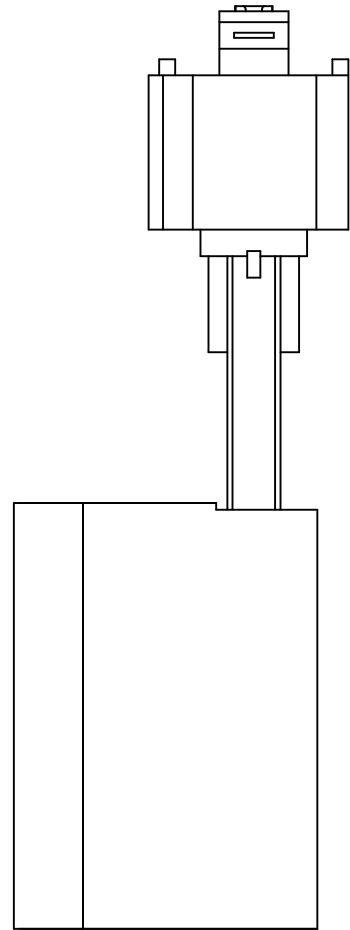


Round Track Heads



$6\frac{1}{4}$ " [160]



$2\frac{1}{4}$ " [57]