

Operation manual LED Flush mount light Blink Plus Series

With Integrated Dimmable Driver



Thank you for purchasing our product. This fixture has been manufactured from components with advanced optoelectronics to ensure high reliability and long life. Before assembling please read this Operation Manual carefully and save in a safe place for future reference. Please note that all electrical connections must be in accordance with local and National Electrical Code standards as well as local building codes. In case you are not familiar with proper wiring connections and building codes, consult a qualified electrician.

Safety recommendations

1. RISK OF ELECTRIC SHOCK – THIS PRODUCT MUST BE INSTALLED IN ACCORDANCE WITH APPLICABLE INSTALLATION CODES BY A PERSON FAMILIAR WITH MENTIONED ABOVE CODES AND HAZARDS INVOLVED. DISCONNECT POWER AT CIRCUIT BREAKER OR FUSE BEFORE INSTALLING OR SERVICING.
2. BEFORE USE OF THE PRODUCT CAREFULLY READ THE WHOLE OPERATION MANUAL.
3. THE PRODUCT IS PURPOSED FOR INTERIOR USE ONLY, SUITABLE FOR DAMP LOCATIONS.
4. PROTECT THE PRODUCT AGAINST DIRECT CONTACT WITH WATER.
5. ASSEMBLE THE PRODUCT ONLY WITH THE USE OF PARTS PROVIDED AND THE HOUSING; IMPROPER ASSEMBLY MAY RESULT IN DEVICE FAILING WHICH COULD DAMAGE THE PRODUCT, PERSONAL PROPERTY OR CAUSE INJURY.
6. ASSEMBLY SHALL FOLLOW WITH ACCESSORIES DELIVERED WITH THE SET ONLY.
7. THE DEVICE IS NOT A TOY, KEEP OUT OF REACH OF CHILDREN.

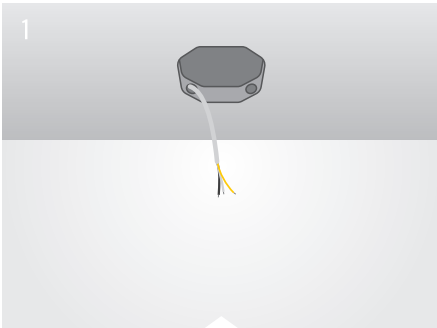
Specifcations:

Blink Plus

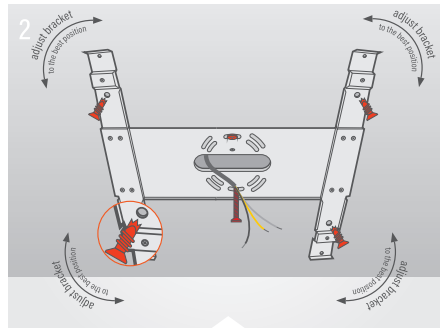
Operating Voltage:120/277VAC

Dimming: Triac (Dimming only @120V)

Life span: 50,000h

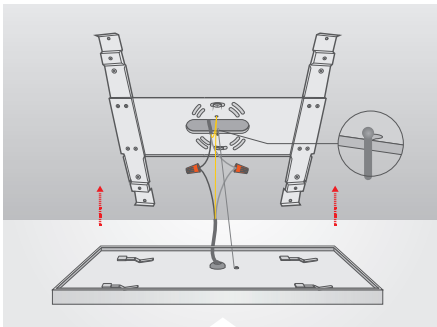


STEP 1: Turn-off / disconnect power at circuit breaker.



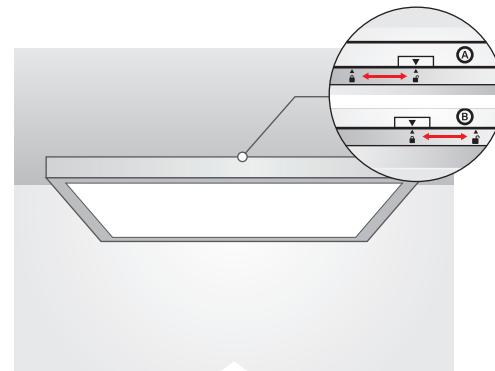
STEP 2: Attach the bracket to junction box using the 2 screws (provided). Pull the AC cables through the bracket center hole.

STEP 3: Align the bracket to final position (angle). Mount 4 dry wall plugs (provided) in ceiling through the bracket.



STEP 4: Slide safety wire into slot of bracket. Rest product on safety wire while doing electrical installation. Do not disconnect safety wire after installation.

STEP 5: Make wire connections between fixture and junction box with wire nuts (provided): Ground wire to AC ground wire Black side to Black AC wire White side to White AC wire.



STEP 6: Lift fixture up against bracket. Align the arrow sign ▼ from bracket to unlock-sign 🔓 from fixture. Slide to locked-sign 🔒 to lock fixture in place. Remove label.



Installed-Congratulations...
Enjoy the light!

Dimming

This product is compatible with most residential type dimmers available on the market. The dimming performance will depend on kind of dimmer and dimmer settings. Visit Satco.com for an up to date list of compatible dimmers.

Cleaning

- Clean with a soft or damp cloth. While cleaning with the damp cloth make sure the power is off.
- Do not clean with liquids or abrasives.

5 Year limited warranty

The purchased product is covered with a 5 year warranty in respect of any defect in material or workmanship after purchase date.

Satco shall bear no responsibility on account of guarantee, as well as shall bear no liability for any faults, in case of improper operation, use negligence, accident or exposure to natural hazard, or excessive use over the limits specified for the unit, or if any unauthorized alteration or repair followed.