

FOR ITEM #:62-1039/62-1040

## DECORATIVE FLUORESCENT WALL FIXTURE ASSEMBLY & INSTALLATION INSTRUCTIONS

*Please read carefully and save this instruction sheet, as you may need them at a later date .*

### CAUTION

Turn off the main power at the circuit break before installing the fixture ,in order to prevent possible shock.  
Please read carefully and save these instructions ,as you may need them at a later date .

### GENERAL

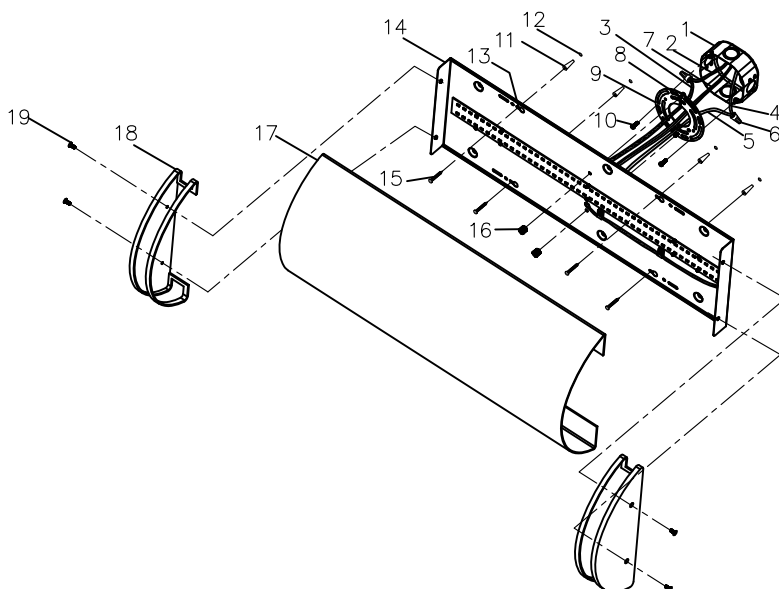
All electrical connections must be in accordance with local and national electrical code (N.E.C) standards.  
if you are unfamiliar with proper electrical wiring connections obtain the services of a qualified electrician.

Remove the fixture and the mounting package from the box and make sure that no parts are missing by referencing the illustrations on the installation .

## ASSEMBLY AND INSTALLATION

1. Turn off the power.
2. Remove the two screws (19) from one of the end caps (18). Remove the end caps (18) and the acrylic lens (17) from the fixture body (14).
3. Position your fixture over the outlet box (1). Mark the location of the four key hole slots(13) located on the fixture body(14) .Be sure to mark only the narrow parts of the key hole slots(13). Remove the fixture body(14) from the wall .Drill the four holes using the appropriately sized drill bit . Insert the provided ceiling anchors (11) into the holes.
4. Install mounting plate(9) to outlet box ( 1 ) in ceiling using mounting screws ( 10 ) .
5. Secure the two screws(8) to the mounting plate(9). You should leave the proper length of the two screws(8) beyond the surface of the mounting plate(9) to ensure enough thread is available to properly mount the fixture body(14) with the cap nuts(16).
6. Position fixture body(14) over mounting plate(9) and align holes in fixture body(14) with mounting screws . With thread protruding through fixture body(14) surface, thread and secure both cap nuts(16).
7. Make the wiring connections: connect the fixture ground wire (7) to the outlet box(1) ;connect the white supply wire (4) to the white fixture wire(5) ; connect the black supply wire(2) to the black fixture wire(3) using wire connectors (6). Carefully tuck all wires back into the outlet box (1).
8. Feed the four anchor screws(15) through the narrow part of slots (13). Tighten the anchor screws(15) into the wall until the fixture body(14) is flush with wall.
9. Place the acrylic lens (17) over the fixture body(14). Replace end caps (18) onto the fixture body(14), and secure it using the two screws(19).

**INSTALLATION IS NOW COMPLETED.**



- |                        |                    |
|------------------------|--------------------|
| 1. OUTLET BOX          | 11. CEILING ANCHOR |
| 2. BLACK SUPPLY WIRE   | 12. DRILLED HOLES  |
| 3. BLACK FIXTURE WIRE  | 13. KEY HOLE SLOTS |
| 4. WHITE SUPPLY WIRE   | 14. FIXTURE BODY   |
| 5. WHITE FIXTURE WIRE  | 15. ANCHOR SCREW   |
| 6. WIRE CONNECTOR      | 16. CAP NUTS       |
| 7. FIXTURE GROUND WIRE | 17. ACRYLIC LENS   |
| 8. SCREW               | 18. END CAP        |
| 9. MOUNTING PLATE      | 19. SCREW          |
| 10. SCREW              |                    |