

THERMA+GLASS

RANIER Shower Doors

Item No.

RAN-4870-SC/SO

RAN-4870-BNC/BNO

RAN-4870-MBC/MBO

RAN-6070-SC/SO

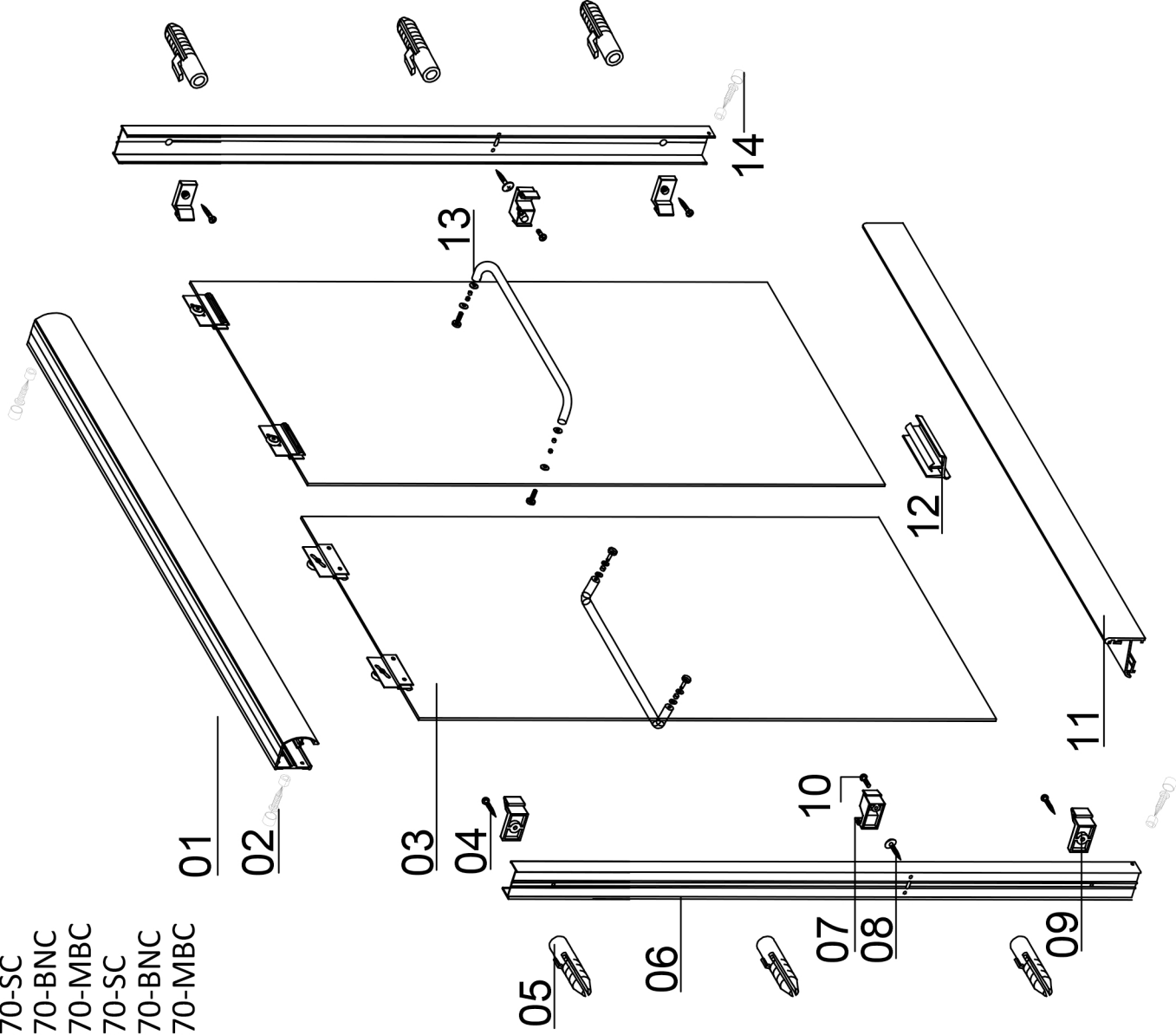
RAN-6070-BNC/BNO

RAN-6070-MBC/MBO

Rainier Shower Door

Item No.

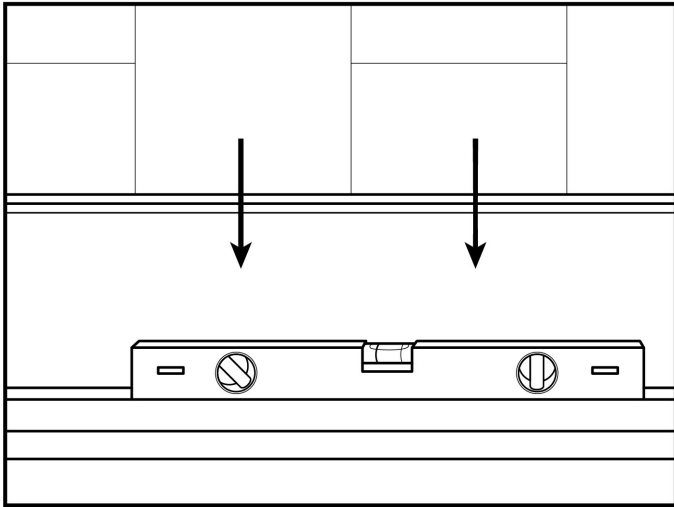
- RAN-4870-SC
- RAN-4870-BNC
- RAN-4870-MBC
- RAN-6070-SC
- RAN-6070-BNC
- RAN-6070-MBC



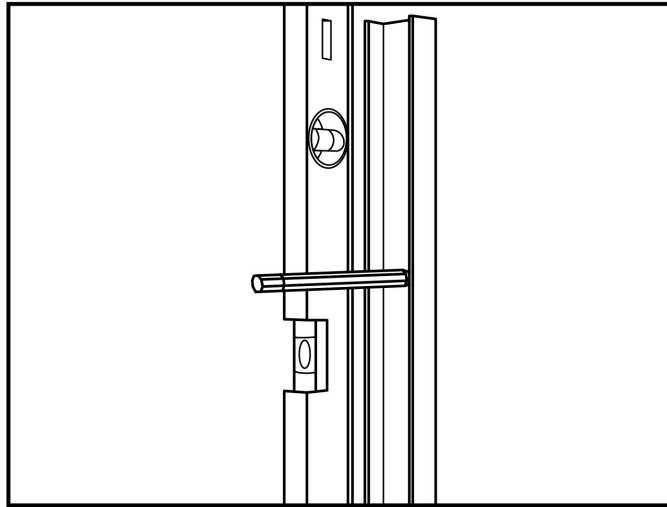
01	02	04	05	06
x1	x4	x4	x4	x6
07	08	09	10	11
x2	x2	x4	x2	x1
12	13	14		
x2	x2	x4	x4	x1

Rainier Shower Door

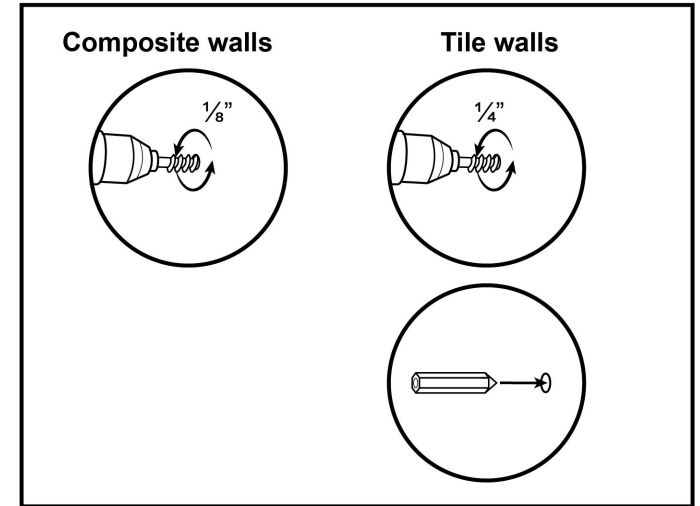
Installation Steps



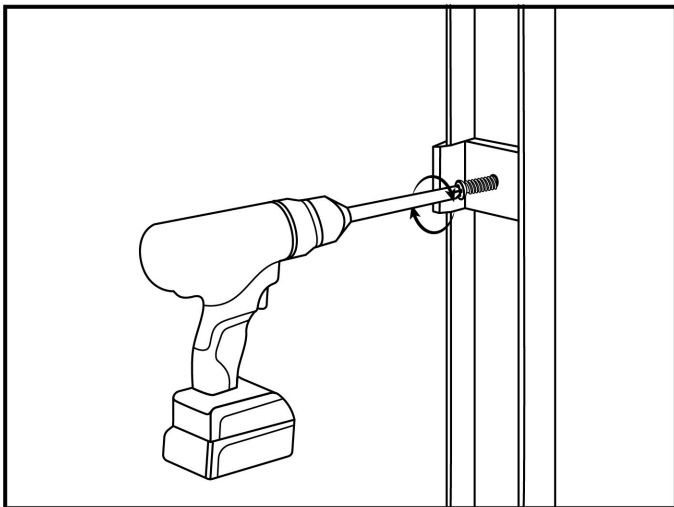
STEP 01: To begin, verify the shower base is level.



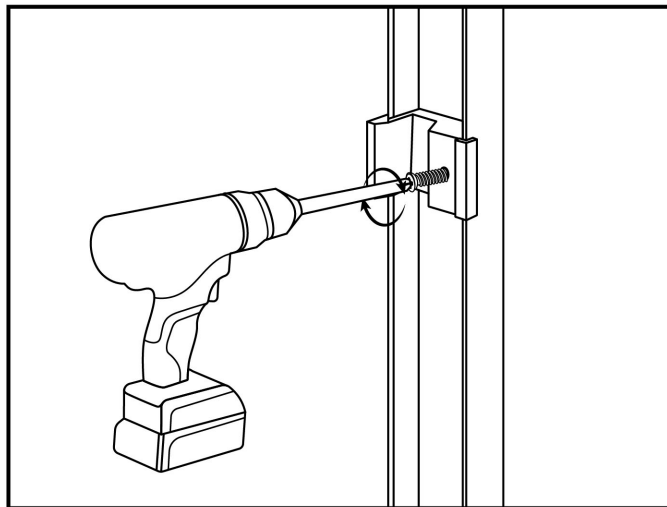
STEP 02: Center wall jams on curb. Then plumb and mark holes for each jamb.



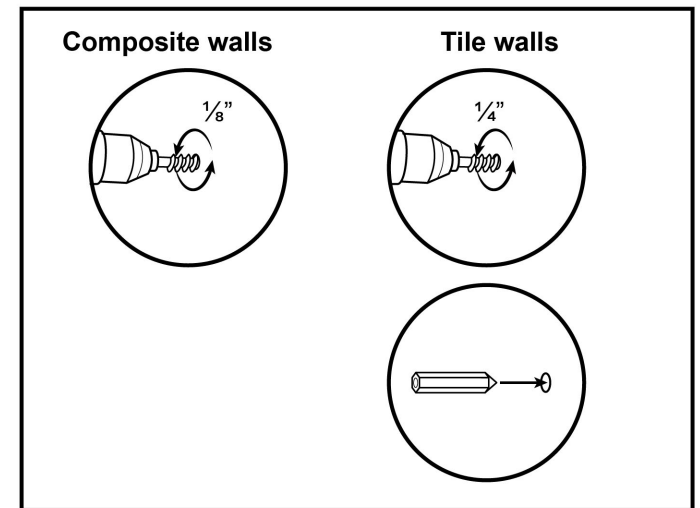
STEP 03: Drill holes. Composite walls, drill $\frac{1}{8}$ " holes. Tile walls, drill $\frac{1}{4}$ " holes. Tile walls require supplied wall anchors.



STEP 04: Install wall jamb top and bottom jamb bumpers (tab side in on shower head wall).

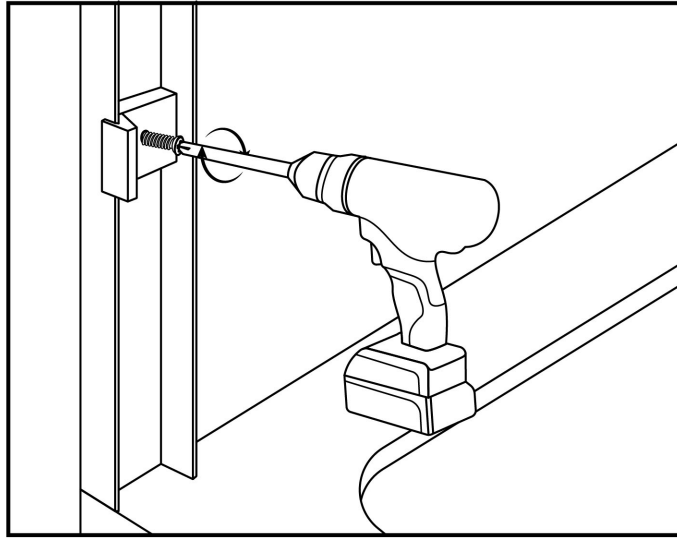


STEP 05: Install center jamb bumper (slot side in on shower head wall).

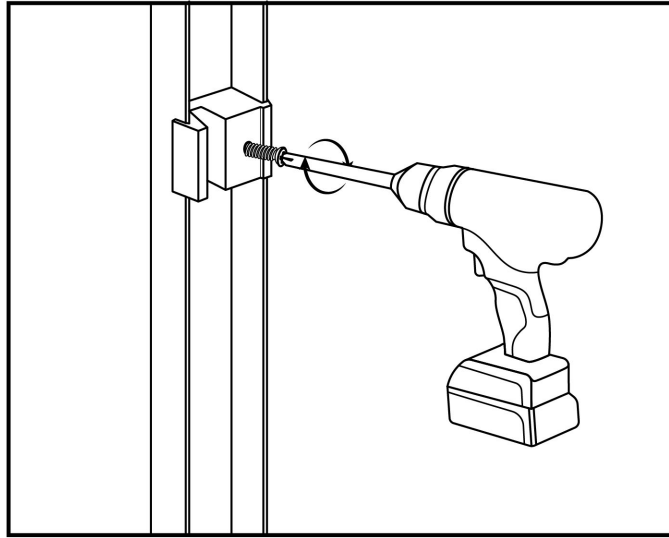


STEP 06: Repeat steps 2 through 3 on opposite wall.

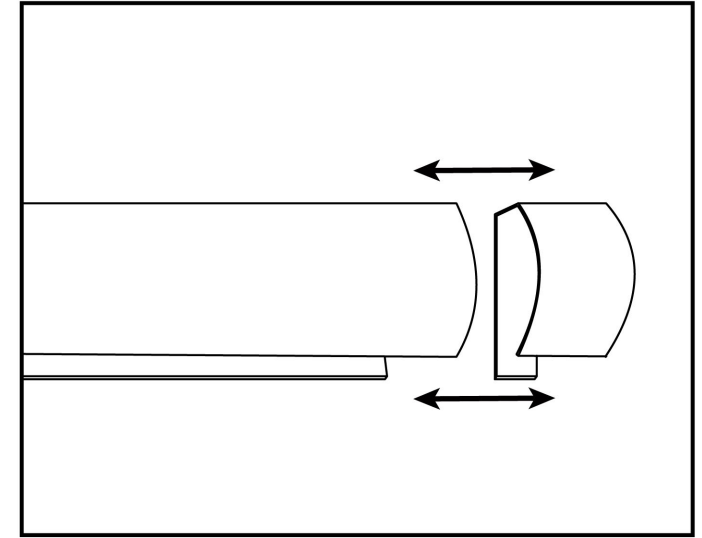
Installation Process



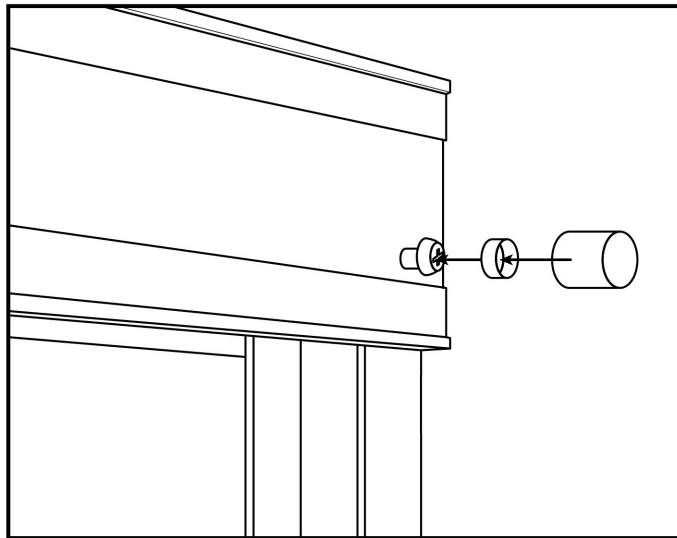
STEP 07: Install wall jamb with top and bottom jamb bumpers (tab side out).



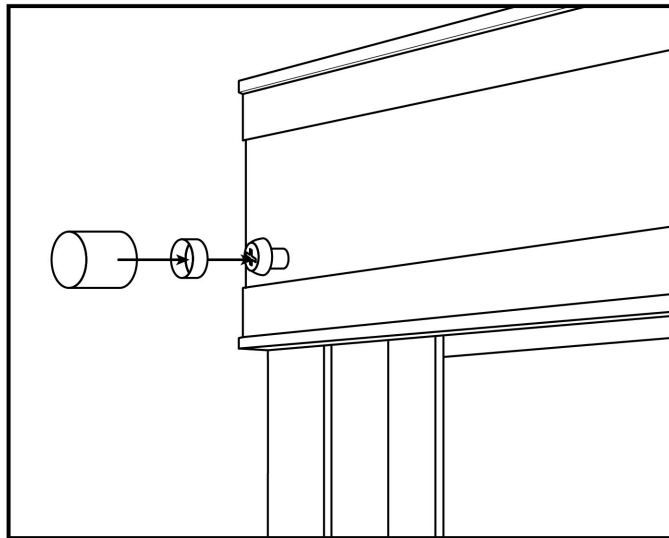
STEP 08: Install center jamb bumper (slot side out).



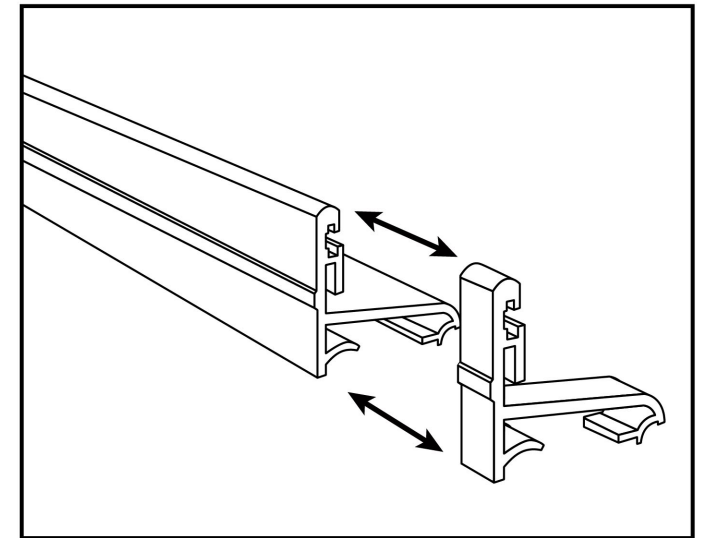
STEP 09: Cut Header to $\frac{1}{8}$ " less than wall to wall dimension at the top of the wall jamb.



STEP 10: Level header then drill $\frac{1}{8}$ " hole inside of header. Install screw with plastic cup bushing and cover.

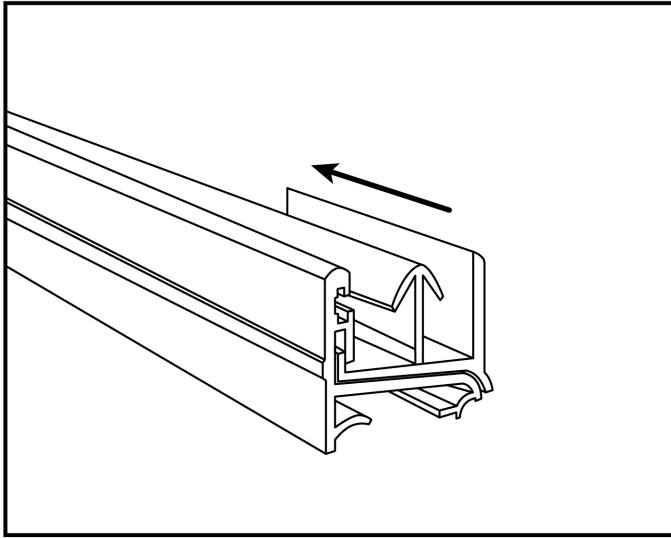


STEP 11: Repeat step 10 on the opposite side

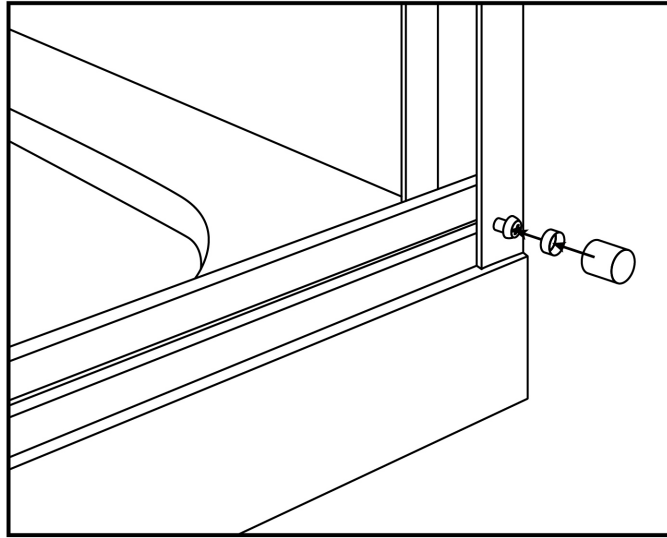


STEP 12: Measure distance wall to wall between the wall jambs and the curb. Deduct $\frac{1}{8}$ " and cut curb.

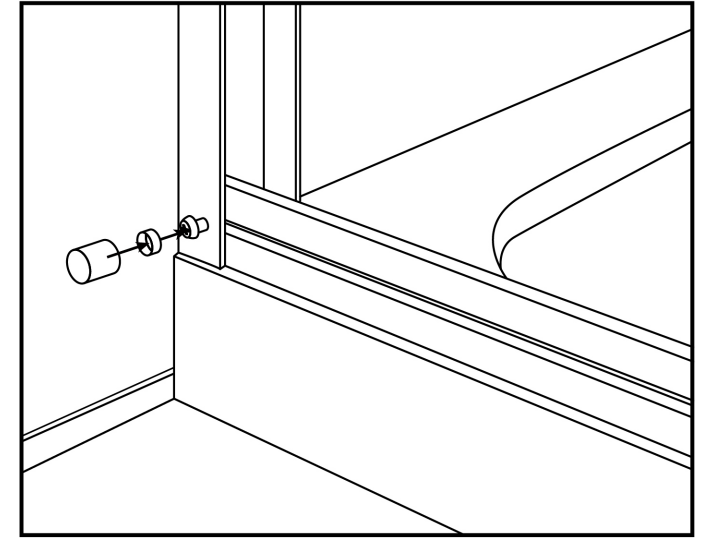
Installation Process



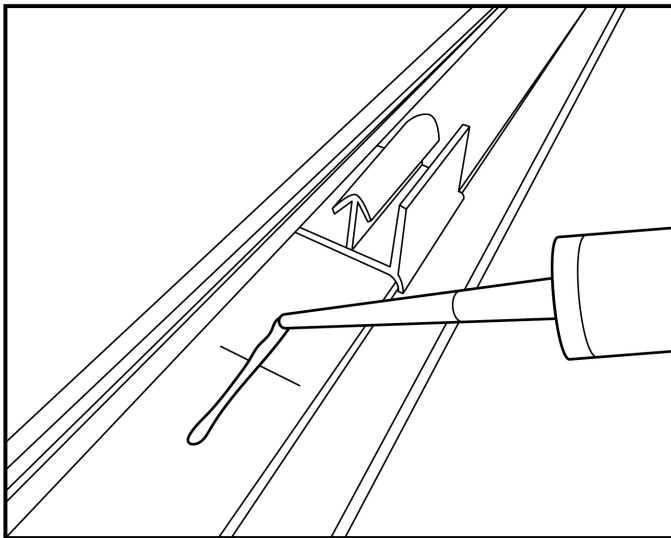
STEP 13: Slide center guide into curb end and install curb in wall jambs.



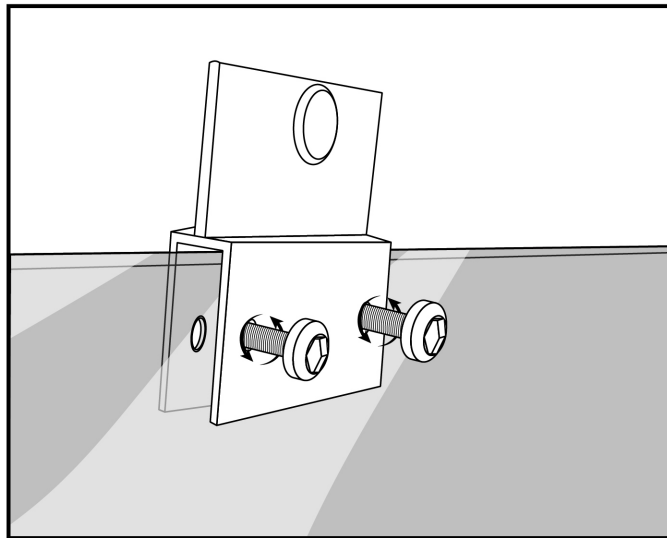
STEP 14: Drill $\frac{1}{8}$ " hole at outside wall jamb into curb. Install screw with plastic cup bushing and cover.



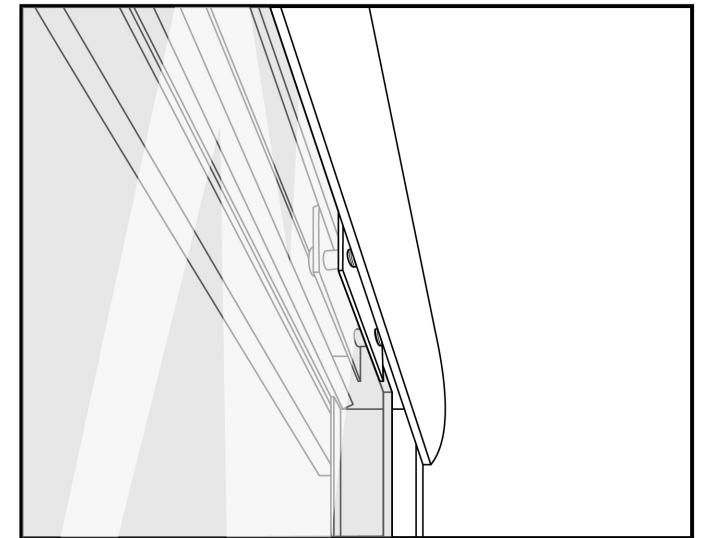
STEP 15: Repeat step 14 on opposite side.



STEP 16: Locate the center of the curb. Mark and apply a bead of silicone. Center guide on center line of curb, wiping off excess silicone.

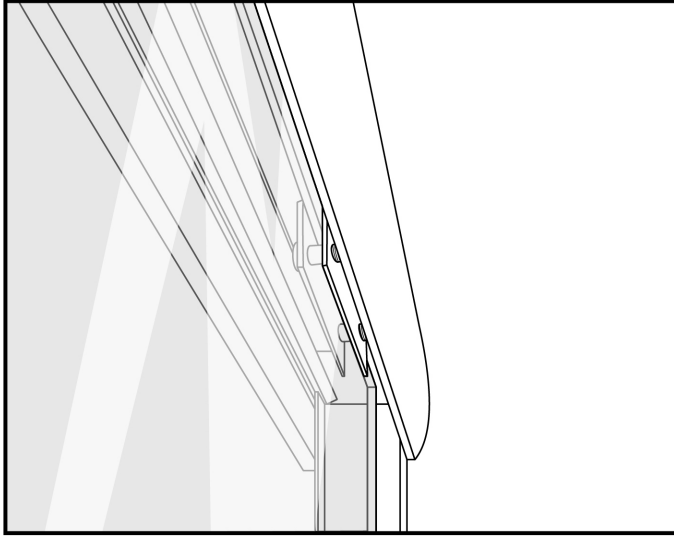


STEP 17: Install hanging brackets.

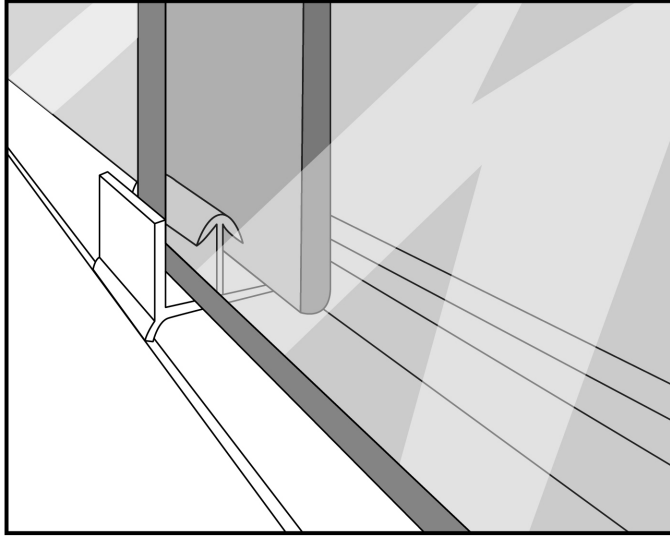


STEP 18: Install interior panel and position on shower head side. Position glass in center of header and lift to clear center guide.

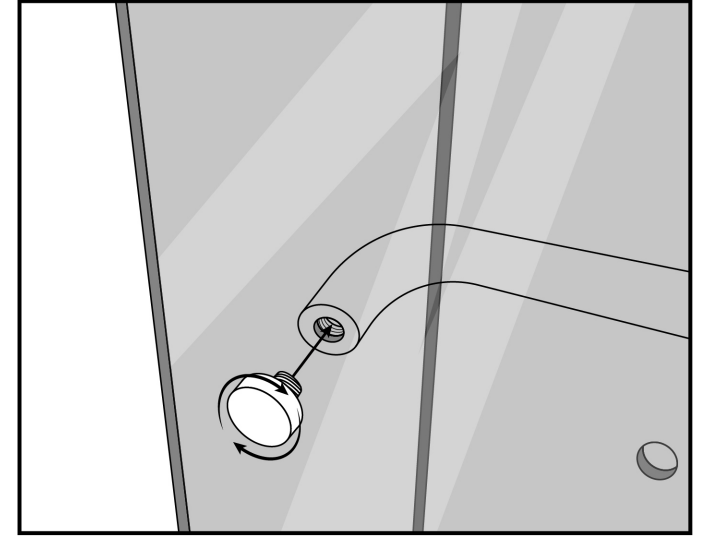
Installation Process



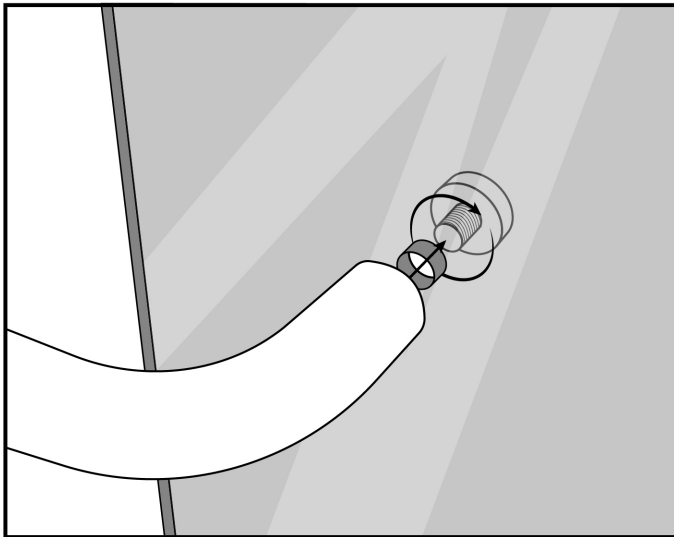
STEP 19: Repeat step 18 with outside panel.



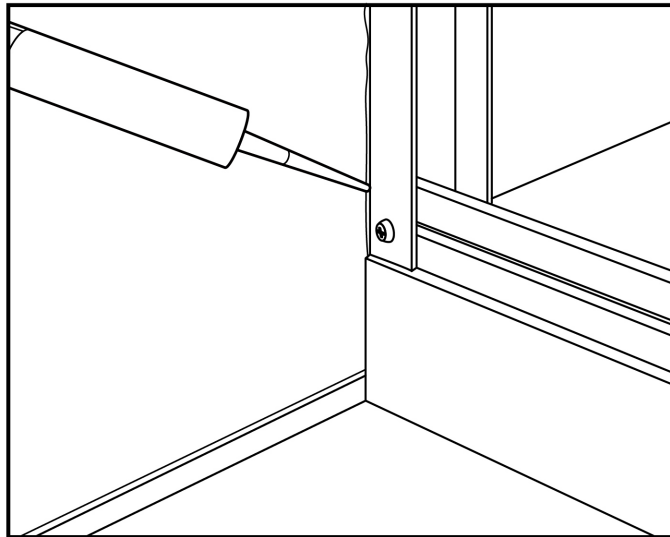
STEP 20: Slide glass into center guide.



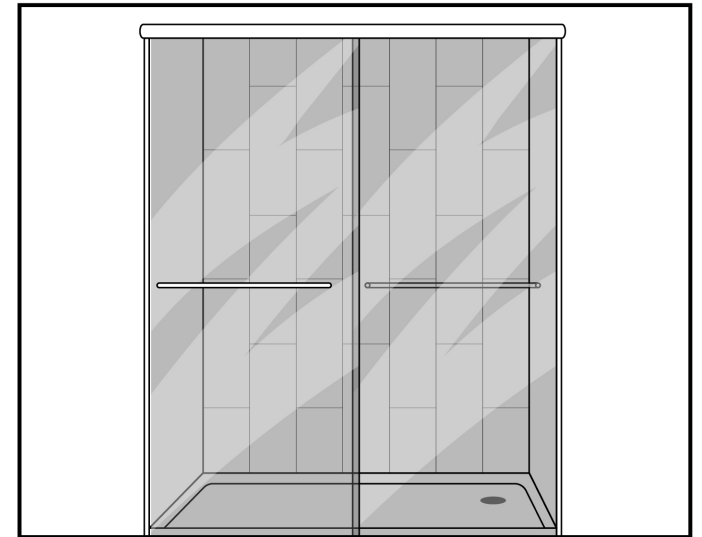
STEP 21: Install the outer towel bar on the outside panel.



STEP 22: Install the inner towel bar on the inside panel.



STEP 23: Apply mildew resistant clear tub/shower silicone caulk to inside jambs, curb and jamb corners.



FINAL NOTE: Allow 24 hours to dry before use.

THERMA+GLASS

NūVō™
SHOWER WALLS

Item No.

NUV-6036-80AB

NUV-6036-80CB

NUV-6036-80DT

NUV-6036-80PG

NUV-6036-80SG

NUV-6036-80WW

Care and Maintenance Instructions

Nuvo Stone Composite Shower Walls, K/CD Series Shower Bases, & Cascade Tubs

GENERAL CLEANING INSTRUCTIONS

For normal everyday cleaning, Therma-Glass suggests using Formula 409 or Microban 24 Hour. The use of scouring pads or abrasive cleaners will dull the surface. Should you wish to use a product not listed below, test on a small area in the corner of the skirt before applying to the entire wall or bathtub liner. Always review individual cleansers' instructions. Rinse thoroughly after cleaning.

GENERAL CLEANING INSTRUCTIONS

Microban 24, Formula 409, Wet & Forget Shower. White vinegar and water may also be used to soften mineral deposits. Use 1/2 cup Clorox Bleach per gallon of water as a disinfectant.



DO NOT USE:

- Original Clean Shower
- Clean Shower for Plastic Showers & Glass
- Ammonia
- Acetone
- Soft Scrub
- Dawn dish soap
- Abrasive or acidic cleaning products
- Dow disinfectant cleaner
- Scrub Free
- Fingernail polish remover
- Scouring pads
- Lestoil
- Lysol disinfectant cleaner

Use of these chemicals could cause a dull surface and chemical cracks. This will void your product warranty.

There is no need to use abrasive cleaners. Abrasive cleaners dull the gloss over a period of years. In extreme cases where the recommended cleaners do not work, use a Chore Boy or 3M Sponge pad. Make sure you only use the ones recommended for Teflon or non-stick surfaces.

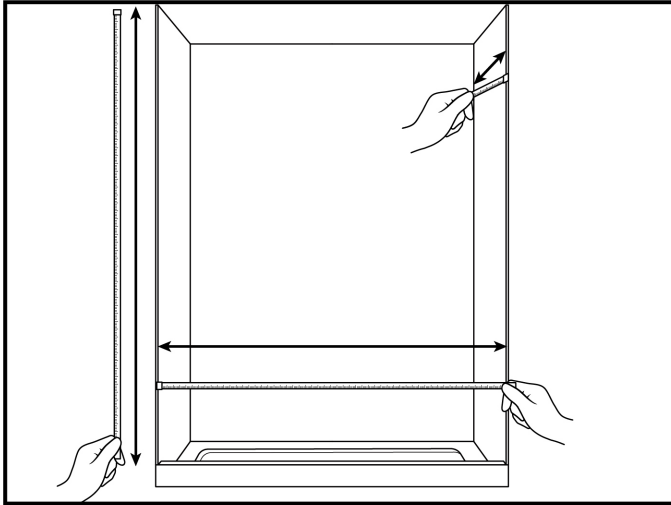
DRAIN CLEANER

CAUTION: Liquid drain cleaners are recommended over powders and/or crystal; however, when using liquid drain cleaning agents, bail the standing water out of the bathtub and remove the drain plug. Use a funnel to prevent spills and apply the chemicals directly down the drain. Always make certain the chemicals do not come in contact with the acrylic surface.

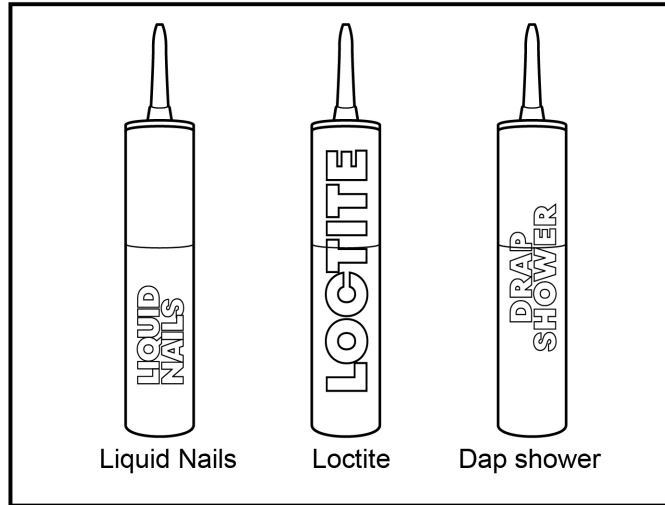
Use drain cleaners sparingly, so that they do not boil out and attack the acrylic surface.

NuVo Vertical Shower Walls

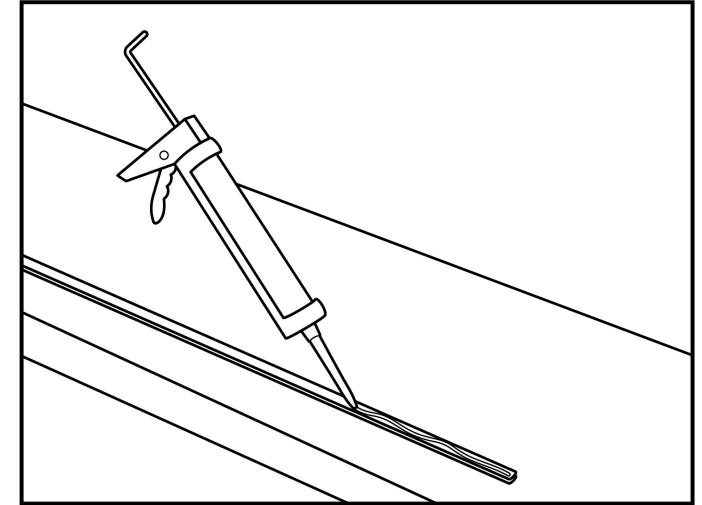
Installation Steps



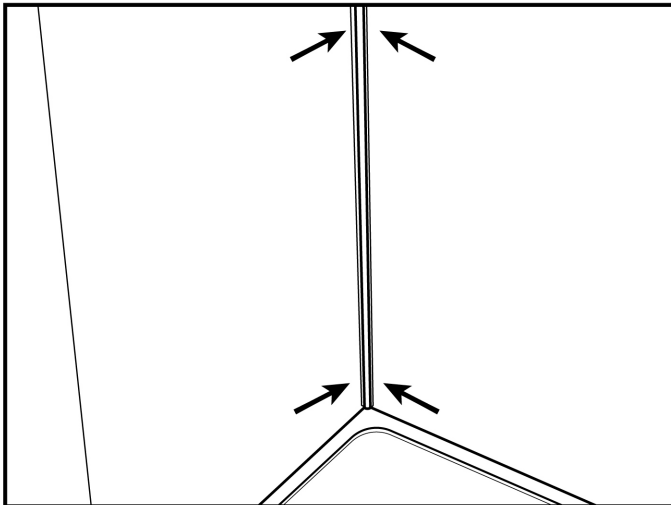
STEP 01: Measure existing space. HxWxD



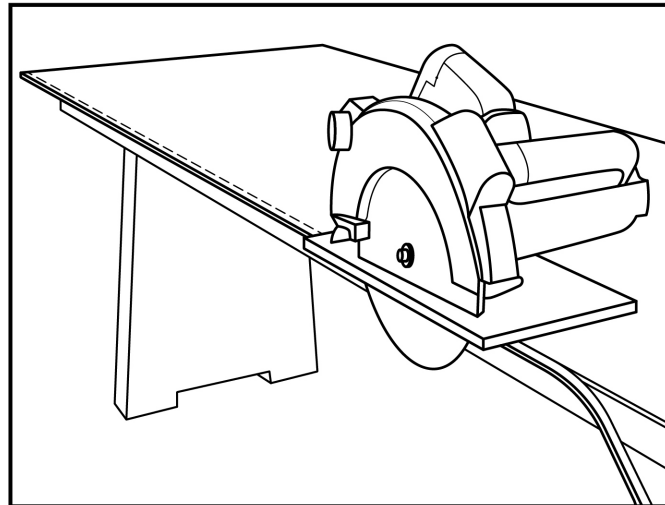
STEP 02: Recommended adhesives are Liquid Nails, Loctite, and Dap shower surrounds.



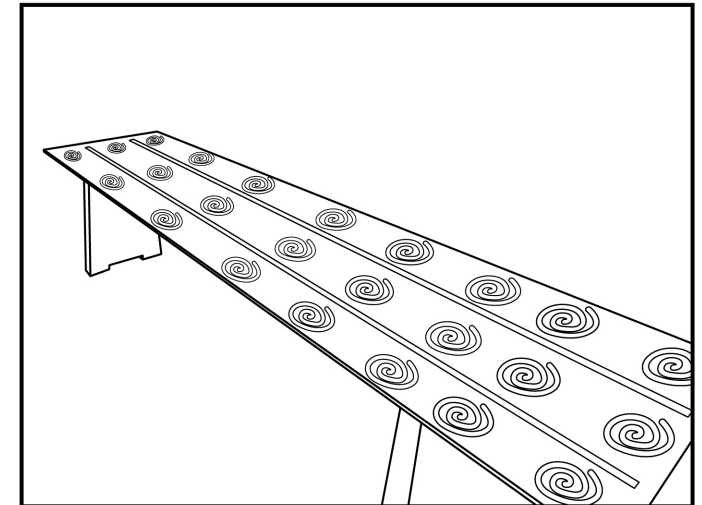
STEP 03: Apply adhesive to the backside of the W trim piece.



STEP 04: Place the W trim piece in back corner of non-shower head side.

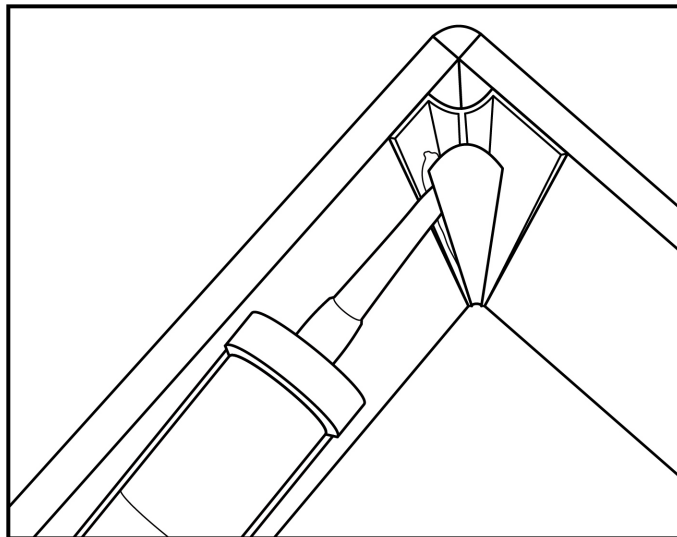


STEP 05: Trim of snap-lock end of first sidewall panel.

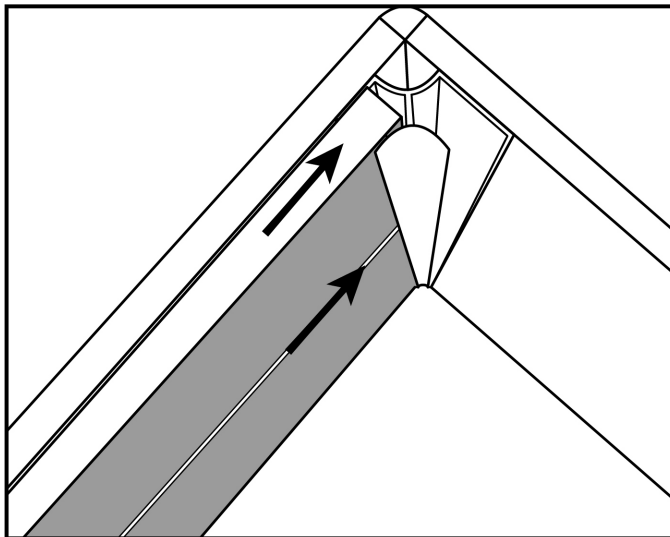


STEP 06: Apply double-sided tape and adhesive to reverse side of panel, leaving a 2" gap around the edge of the first sidewall panel.

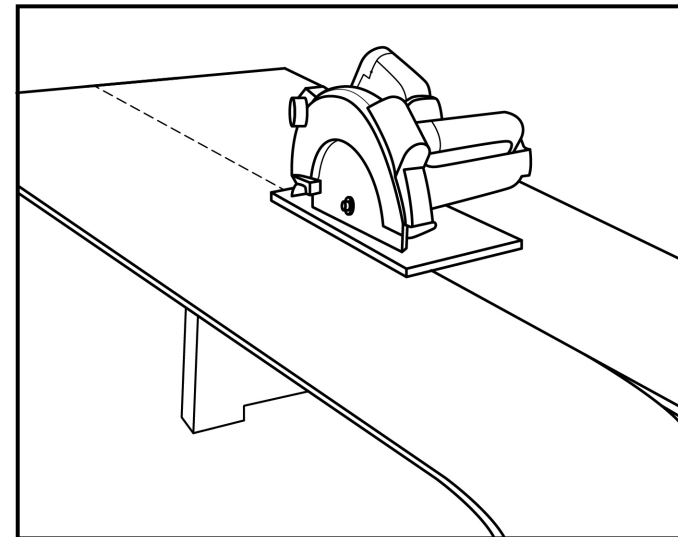
Installation Process



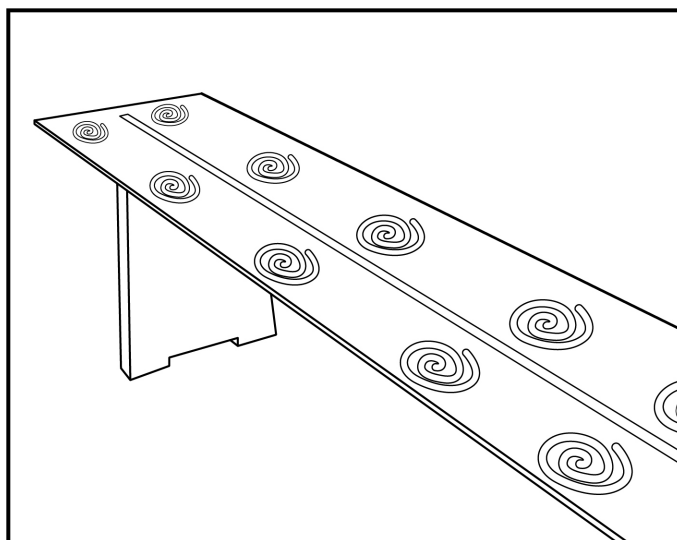
STEP 07: Fill in W trim piece channel with silicone on the sidewall side.



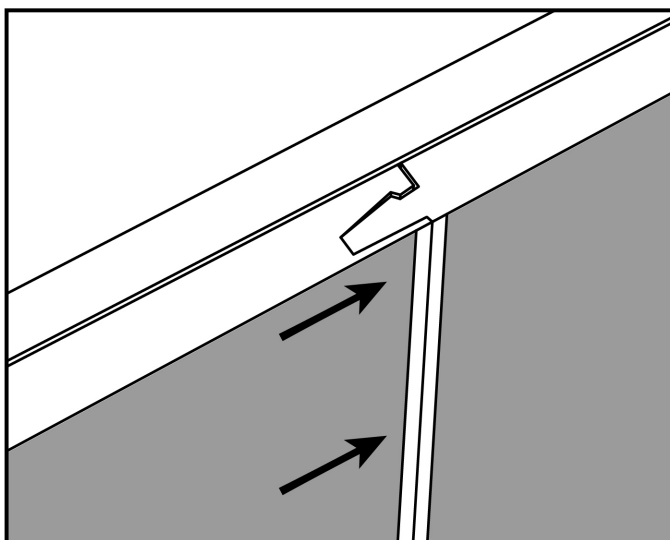
STEP 08: Insert first sidewall panel into W trim piece.



STEP 09: Cut second sidewall panel to fit wall.

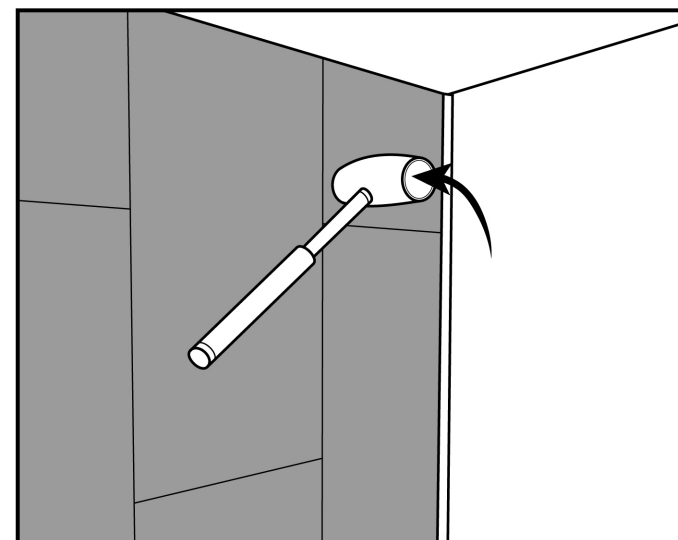


STEP 10: Apply double-sided tape and adhesive to reverse side of panel, leaving a 2" gap around the edge of the second sidewall panel.



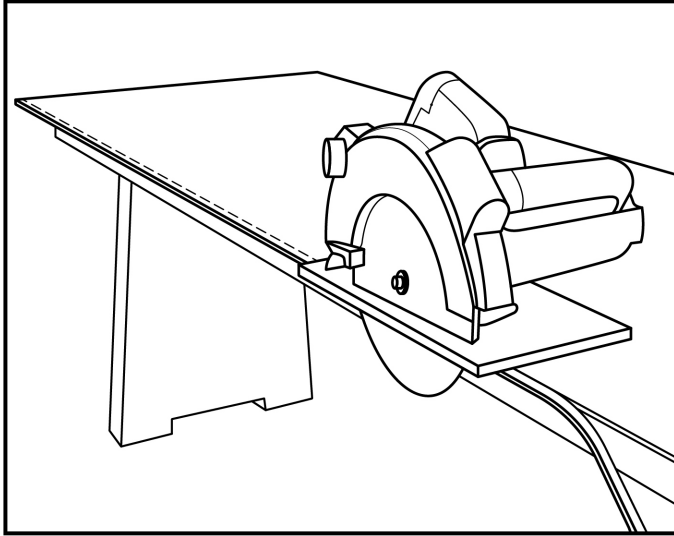
STEP 11: Push and snap-lock the second sidewall panel into the first.

Note: This is the only panel that installs behind adjacent panel.

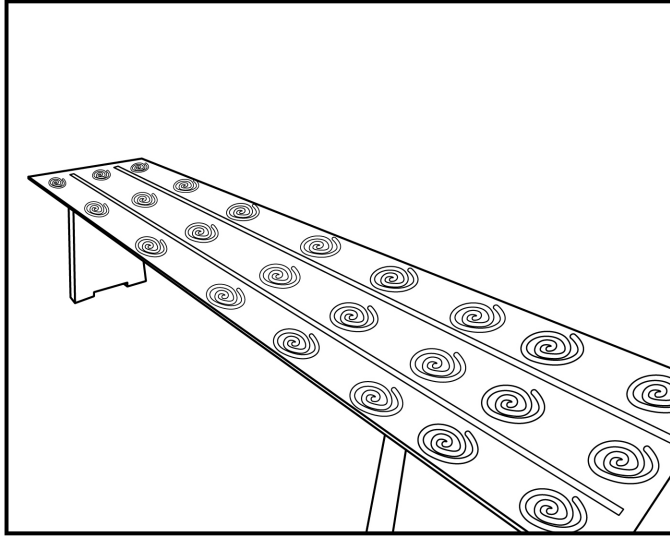


STEP 12: Lightly tap both panels into place with rubber mallet.

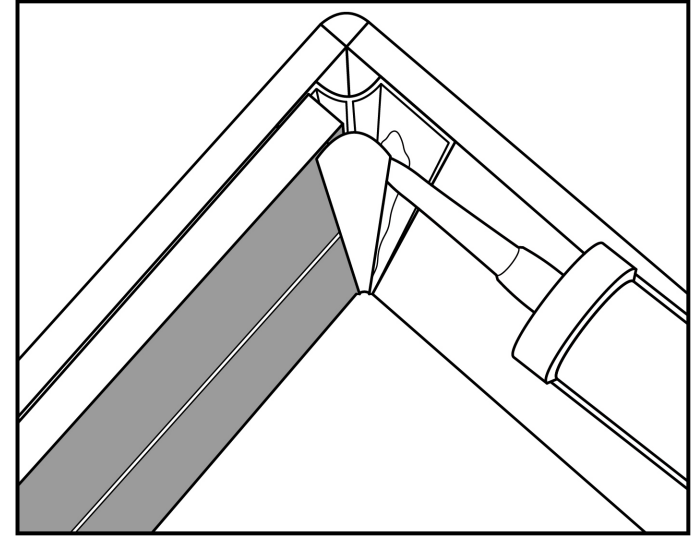
Installation Process



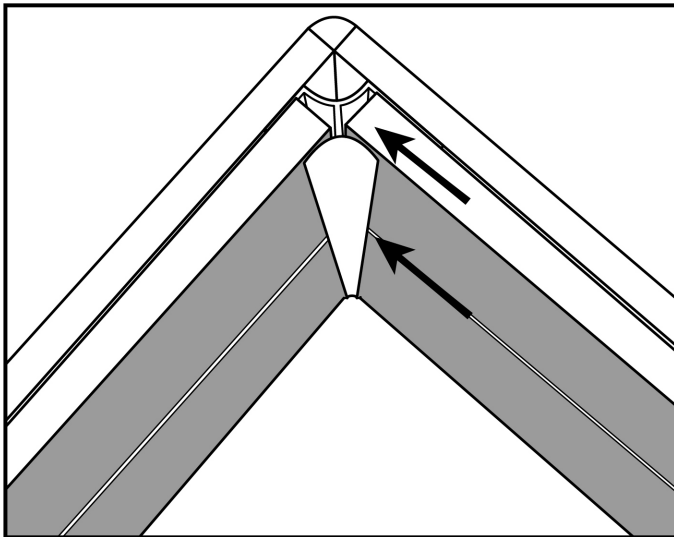
STEP 13: Trim off snap-lock of the first back wall panel.



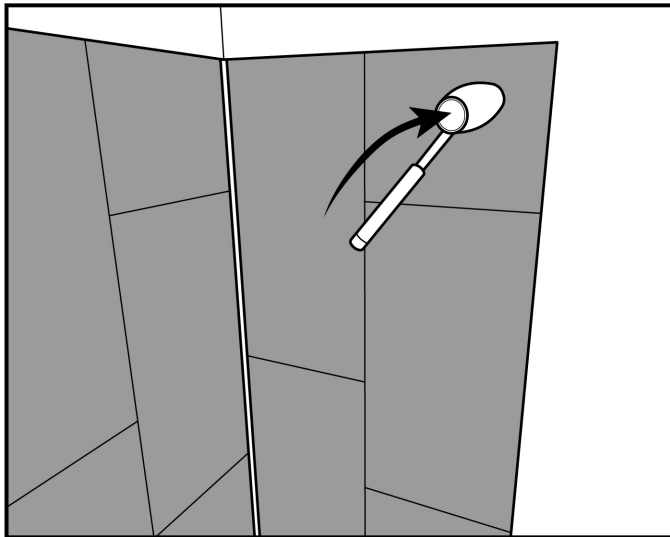
STEP 14: : Apply double-sided tape and adhesive to reverse side of panel, leaving a 2" gap around the edge of the first backwall panel.



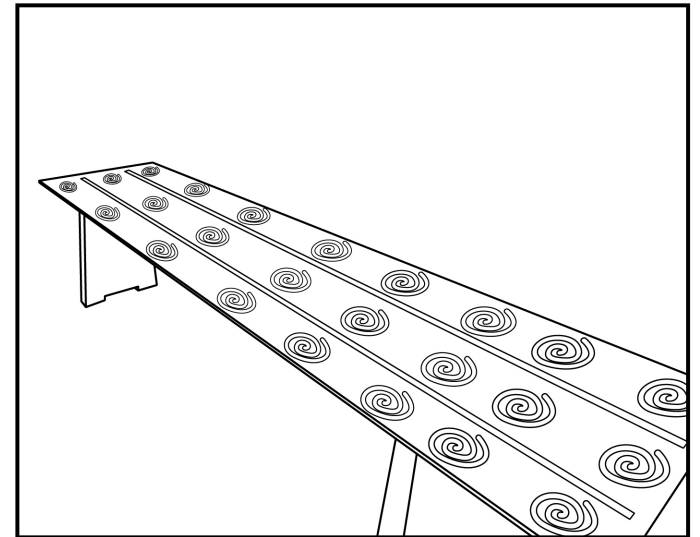
STEP 15: Fill in W trim piece channel with silicone on the back wall side.



STEP 16: Insert first backwall panel into W trim piece.

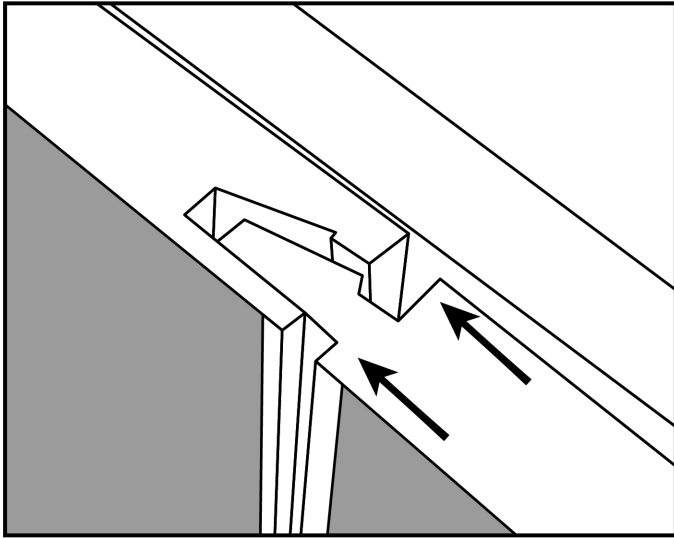


STEP 17: Lightly tap into place with rubber mallet.

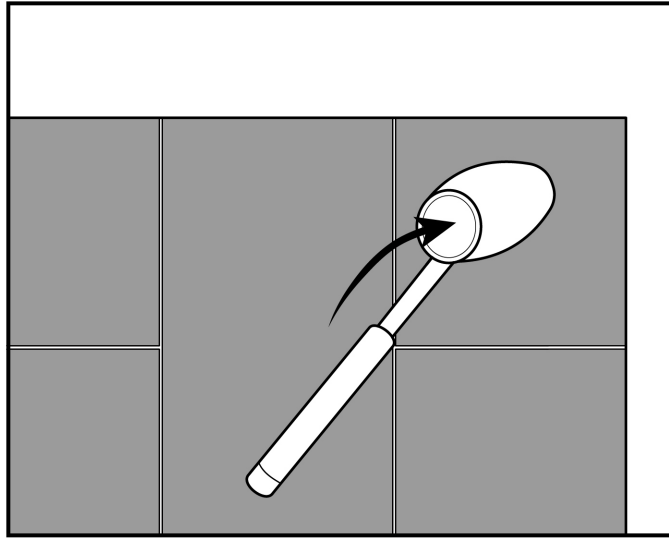


STEP 18: Apply double-sided tape and adhesive to reverse side of panel, leaving a 2" gap around the edge of the second backwall panel.

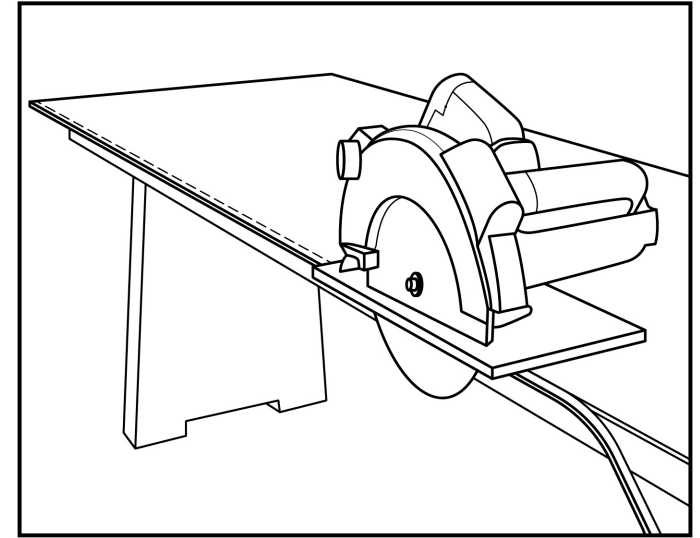
Installation Process



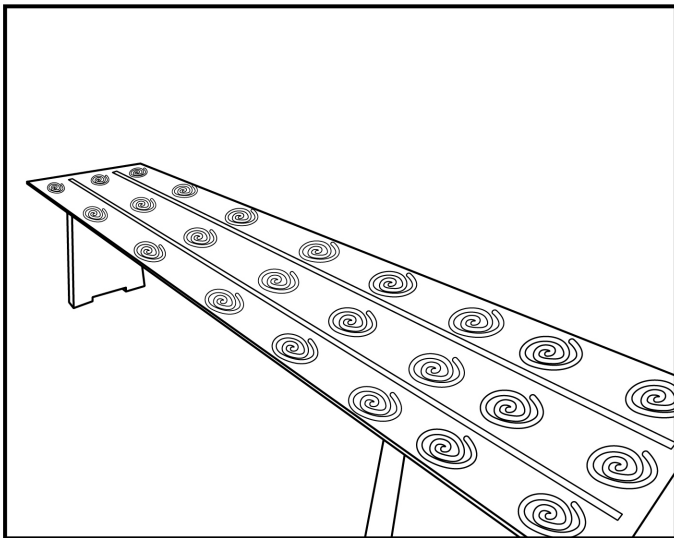
STEP 19: Position next panel at a 45° angle to the adjacent panel and push to wall making sure to click/lock is fully engaged.



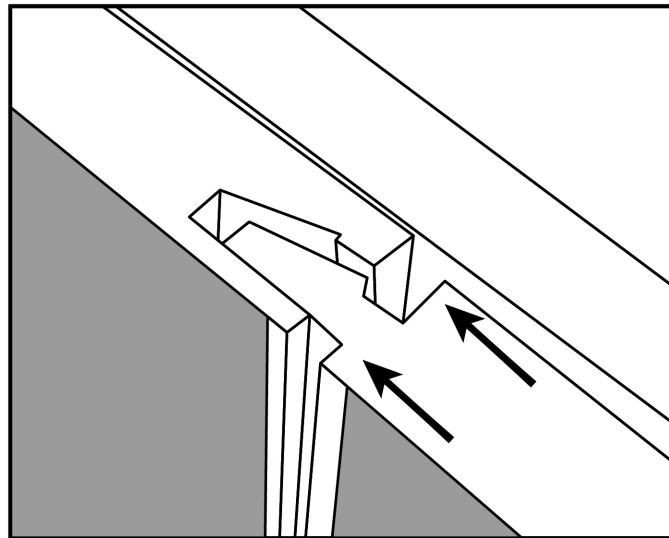
STEP 20: Lightly tap into place with rubber mallet.



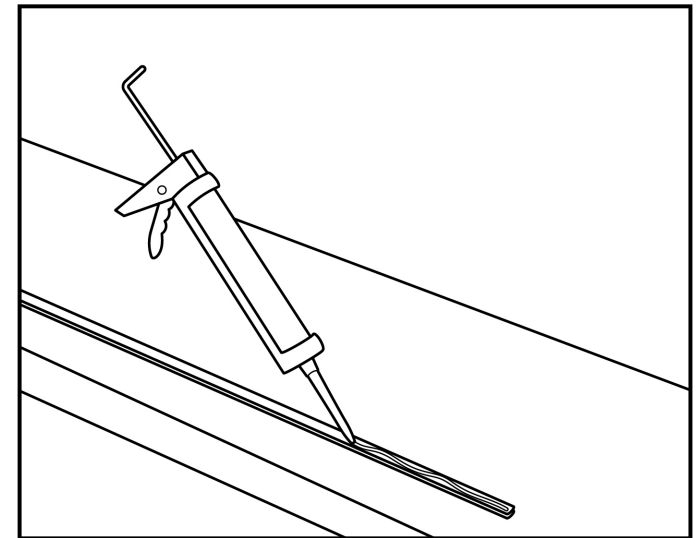
STEP 21: Trim off snap-lock on the third back wall panel. If back wall is less than 60" trim panel to fit.



STEP 22: Apply double-sided tape and adhesive to reverse side of panel, leaving a 2" gap around the edge of the third backwall panel.

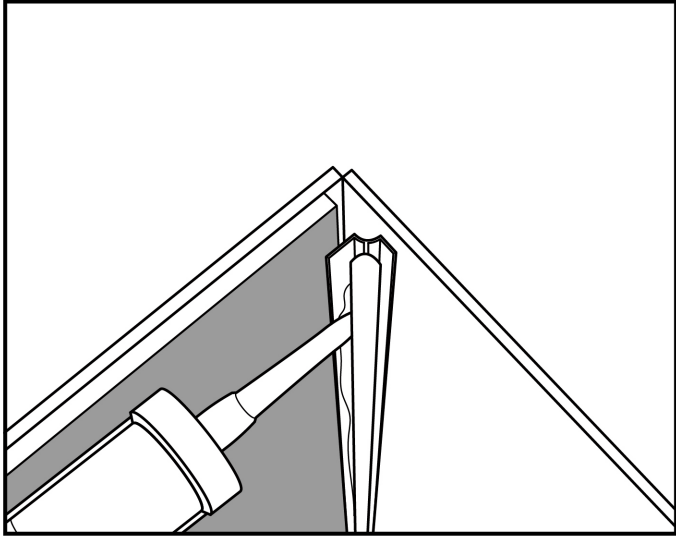


STEP 23: Repeat step 19.

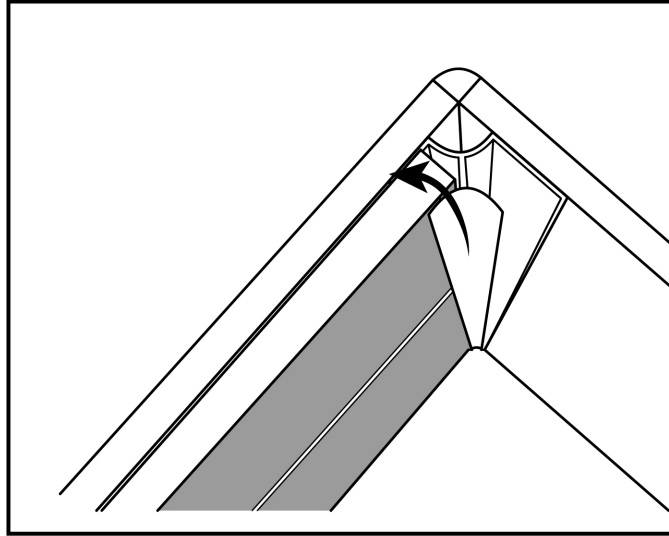


STEP 24: Apply adhesive to backside of W trim piece.

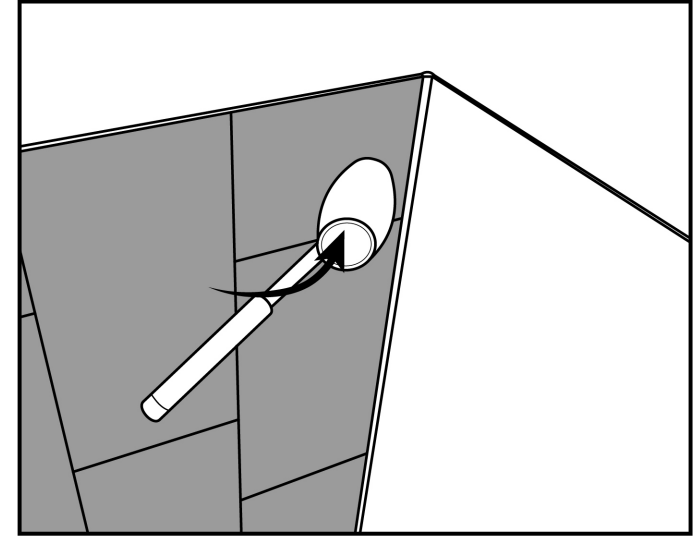
Installation Process



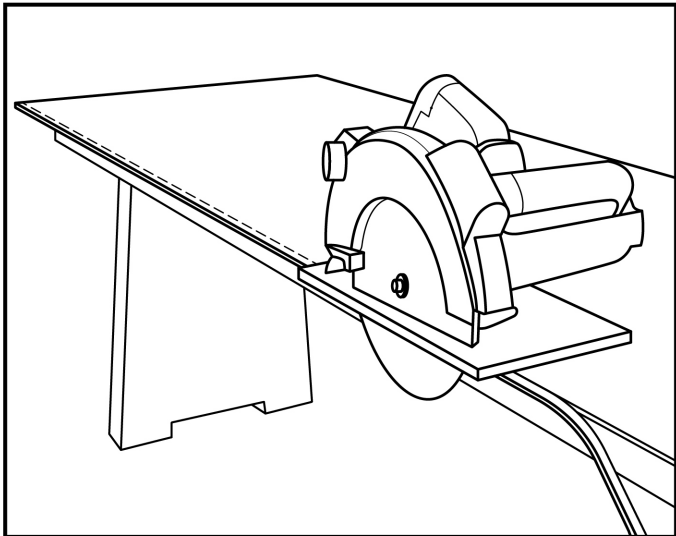
STEP 25: Fill in W Trim piece channel with silicone on the backwall side.



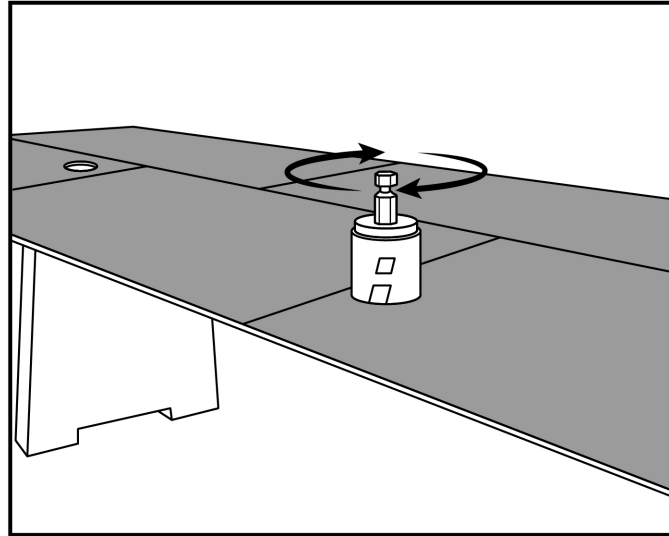
STEP 26: Place W trim piece in corner behind third back-wall panel.



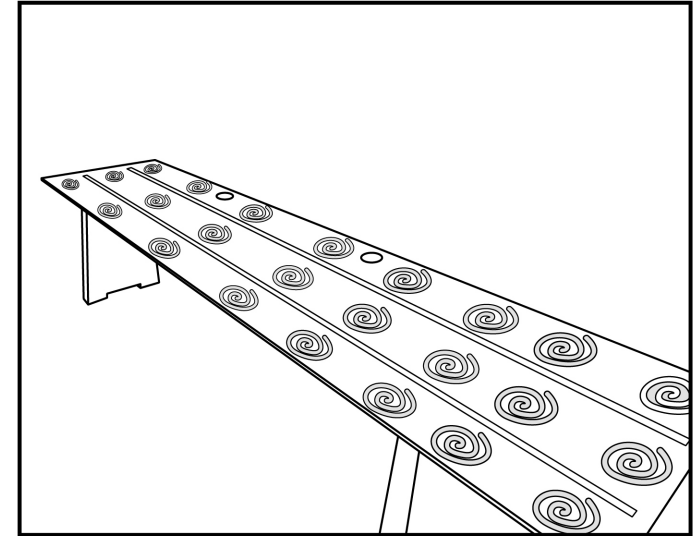
STEP 27: Lightly tap into place with rubber mallet.



STEP 28: Trim snap-lock off third sidewall panel.

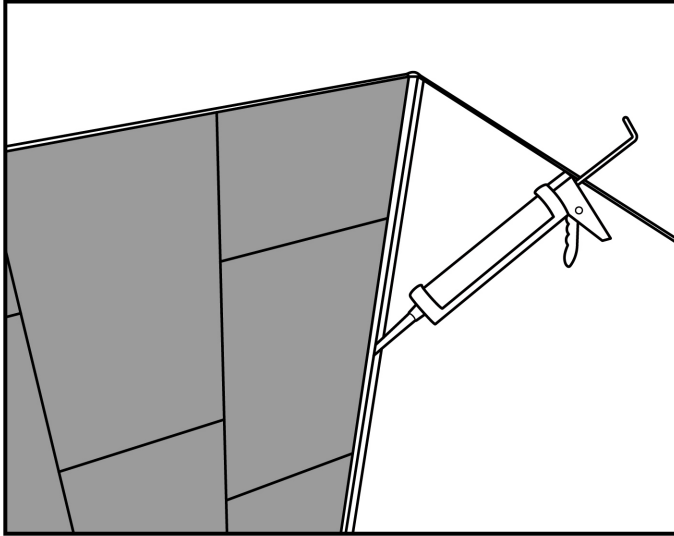


STEP 29: Cut holes for plumbing in third sidewall panel from the front, drilling from the back will damage panels.

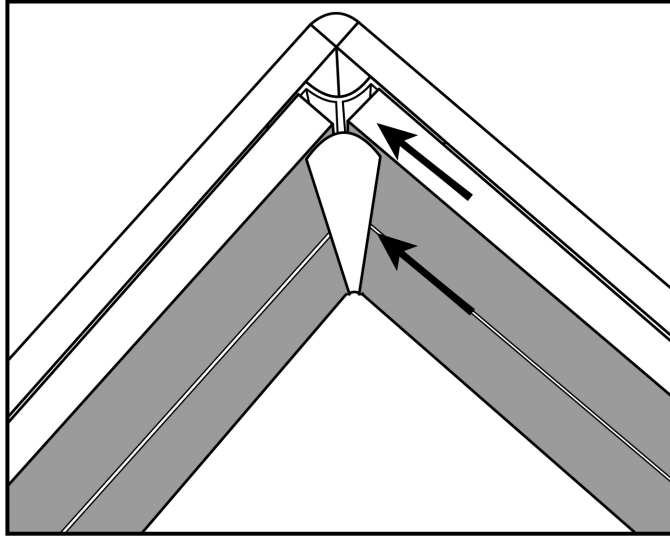


STEP 30: Apply double-sided tape and adhesive to reverse side of panel, leaving a 2" gap around the edge of the third sidewall panel.

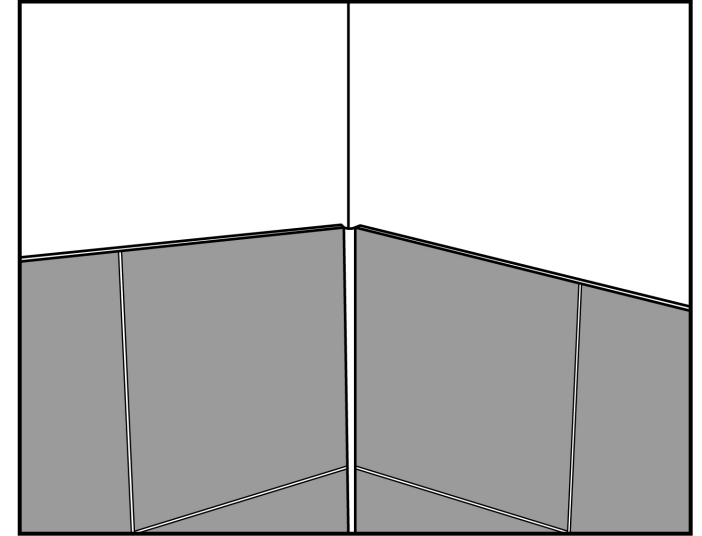
Installation Process



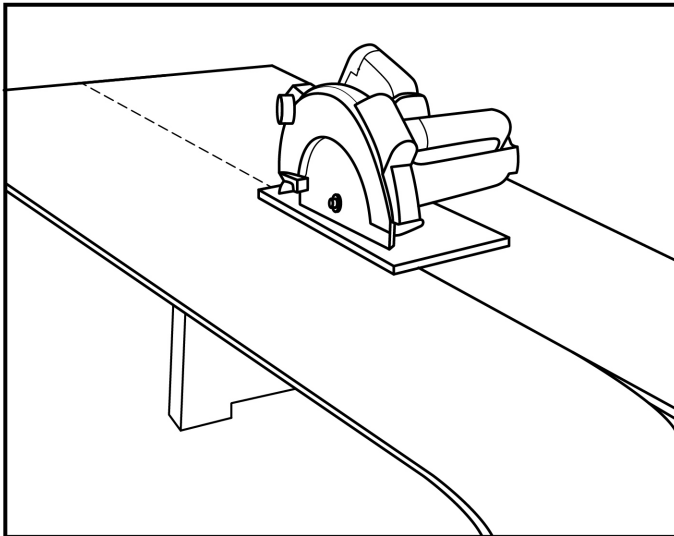
STEP 31: Fill in W trim piece channel with silicone on the sidewall side.



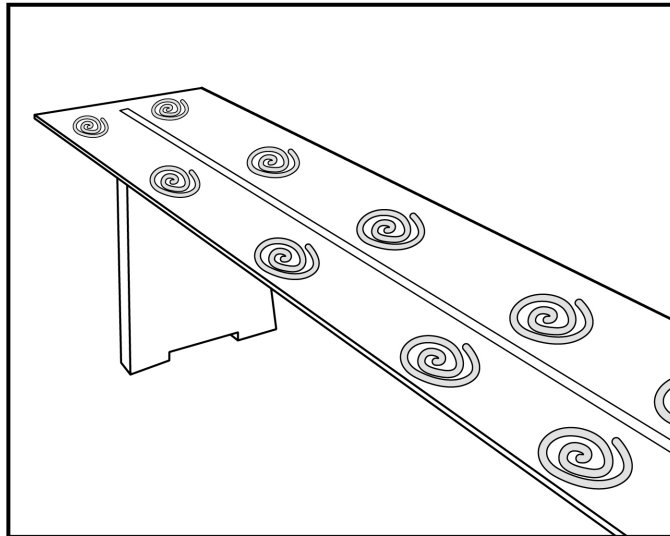
STEP 32: Push third sidewall panel into W trim piece.



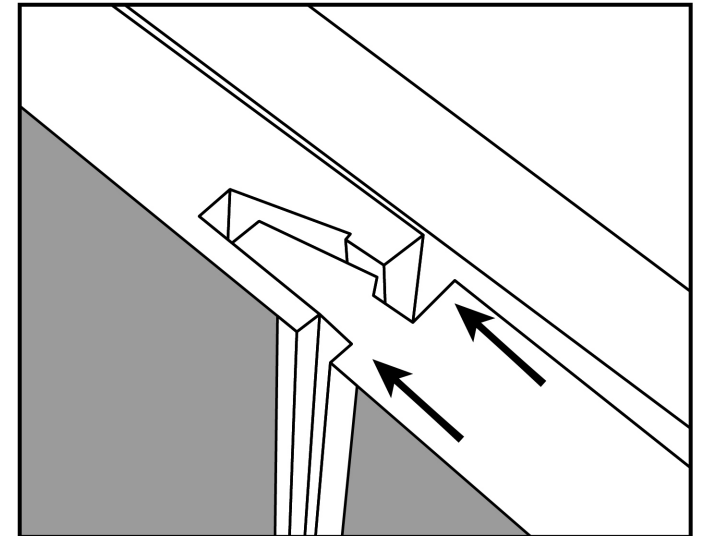
STEP 33: : Lightly tap into place with rubber mallet.



STEP 34: Cut fourth sidewall panel to fit.

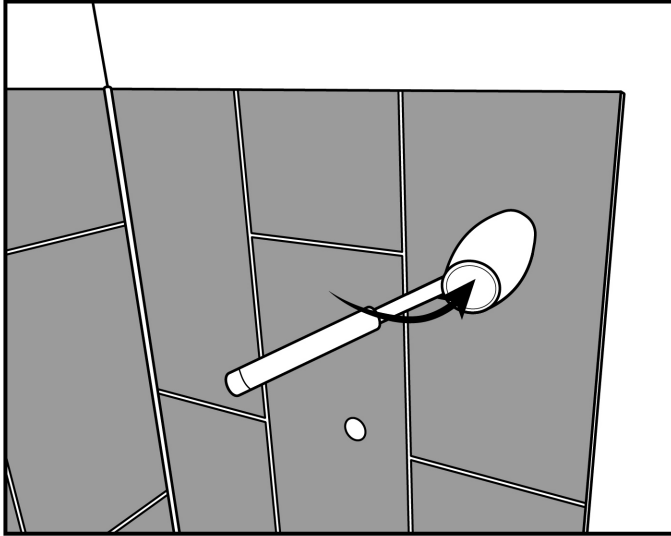


STEP 35: Apply double-sided tape and adhesive to reverse side of panel, leaving a 2" gap around the edge of the fourth sidewall panel.

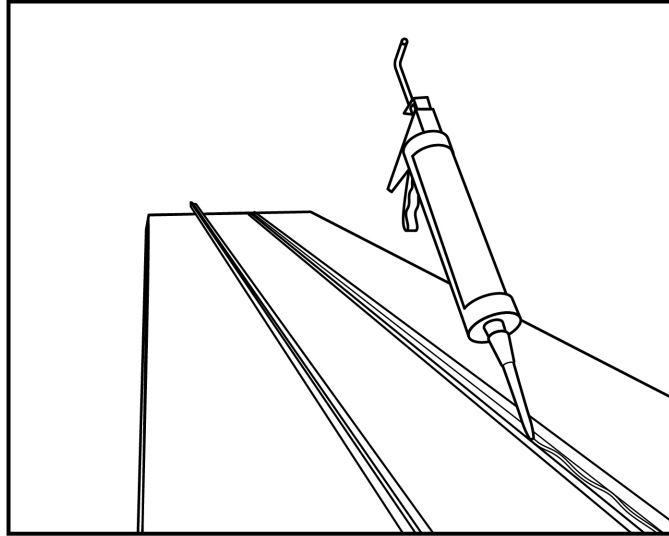


STEP 36: Repeat step 19.

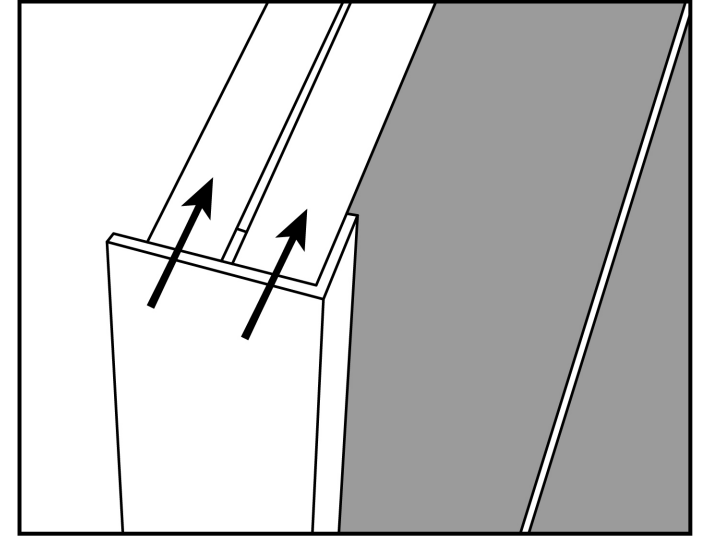
Installation Process



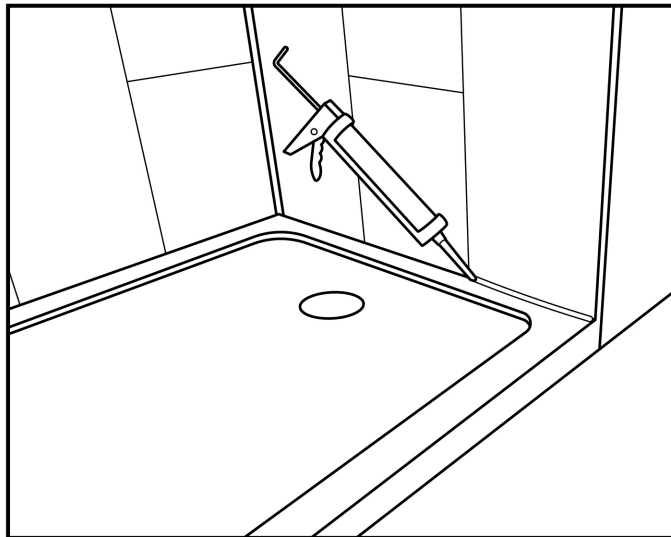
STEP 37: Lightly tap into place with rubber mallet.



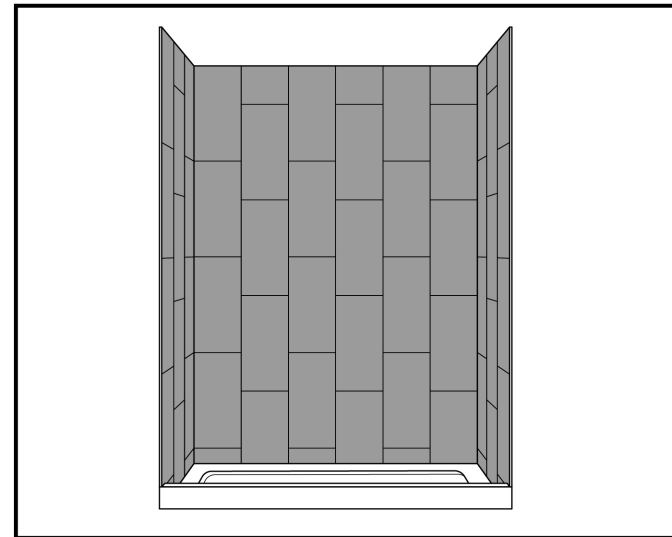
STEP 38: Fill in channels of F or U trim edge pieces with silicone.



STEP 39: Push edge pieces into place.



STEP 40: Properly caulk around the entire wall top and bottom to ensure fit



FINAL NOTE: Allow 24 hours to dry before use.