

WIRED / WIRELESS DOOR CHIME PUSHBUTTON

To register this product, visit: www.nutone.com

THIS PACKAGE INCLUDES:

- Cast Metal Escutcheon
- Wired Pushbutton
- Wireless Pushbutton and Battery
- Mounting Hardware

WIRED PUSHBUTTON INSTALLATION

TURN OFF POWER AT SERVICE ENTRANCE.

ALL ELECTRICAL WORK MUST BE DONE IN ACCORDANCE WITH LOCAL AND/OR NATIONAL ELECTRICAL CODE AS APPLICABLE.

1. Select pushbutton location and drill a straight and level 3/4" (19 mm) hole, 1" (25 mm) deep.
2. Make sure that push button assembly (A) is inserted fully into escutcheon (B). (Figure 1) Connect wires per installation instructions provided with chime.
3. Install escutcheon/pushbutton assembly into hole and secure with hardware provided.
4. Restore power at service entrance and press pushbutton to sound chime.

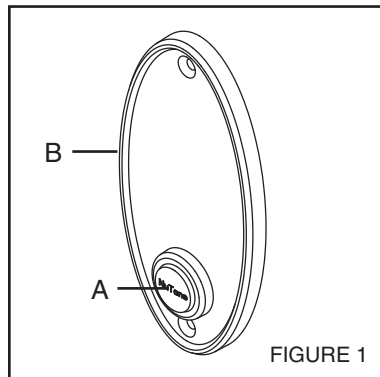


FIGURE 1

WIRELESS PUSHBUTTON INSTALLATION

The wireless pushbutton (C) is compatible with NuTone wireless chimes. (Purchase separately) Refer to installation instructions provided with wireless chime.

1. Open battery cover (D) by sliding it in direction indicated by arrow. (Figure 2)

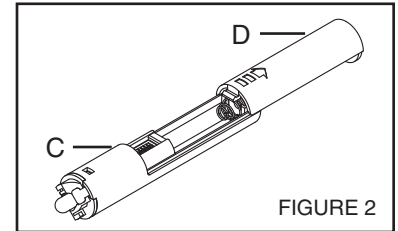


FIGURE 2

2. Install battery (E) into wireless pushbutton. (Figure 3)

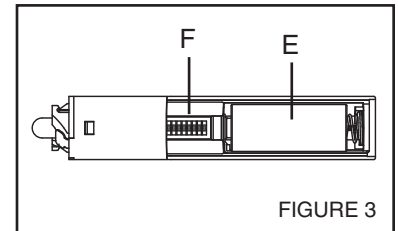


FIGURE 3

3. Remove wired pushbutton mechanism from pushbutton / escutcheon assembly by turning pushbutton mechanism counterclockwise and pulling it out. (Figure 4)

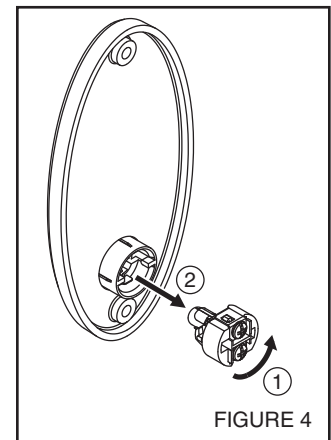


FIGURE 4

4. Insert wireless pushbutton mechanism and twist clockwise. (Figure 5)

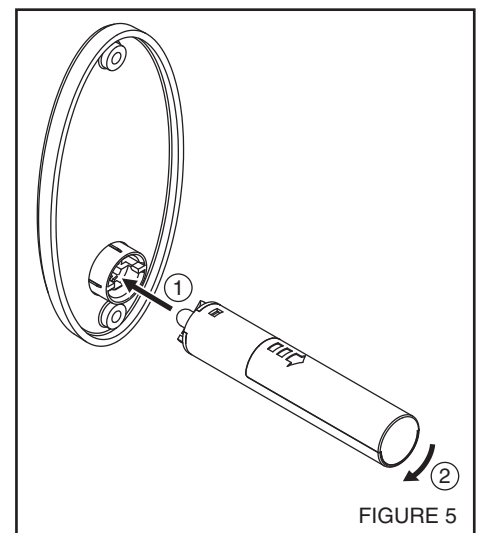


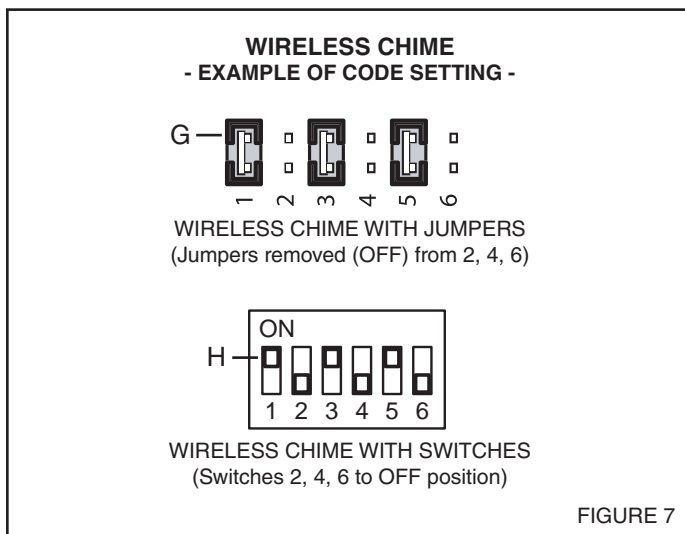
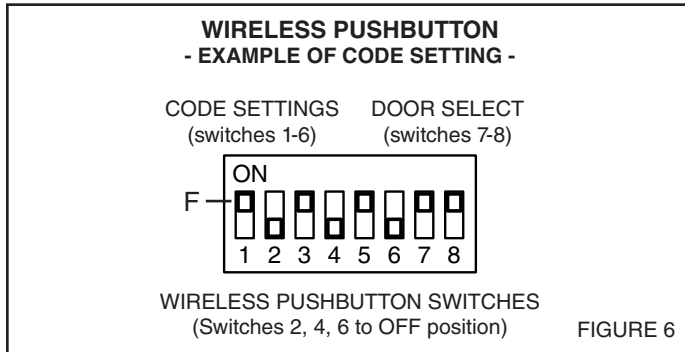
FIGURE 5

5. Test operation. Hold wireless pushbutton near chime and press pushbutton. If chime does not sound - see a. through c. on page 2.

If chime does not sound when wireless pushbutton is pushed:

- a. **Confirm that code settings on chime mechanism and wireless pushbutton are the same.** Jumpers (G) installed on numbered contacts or switches (H) on chime mechanism must match switch (F) positions on wireless pushbutton. (Figures 3, 6 & 7)

NOTE: WIRELESS PUSHBUTTON SWITCHES ARE ALL FACTORY-SET TO "ON" POSITION.



- b. Verify proper installation batteries in chime mechanism and pushbutton. (Figure 3)
 - c. Check condition of batteries in chime mechanism and pushbutton. Replace if required.
6. The wireless pushbutton can be programmed to play front door sound by turning ON switch number 8 - or rear door sound by turning OFF switch number 8. (Figure 6)
 7. Close battery cover on wireless pushbutton.
 8. To install wireless pushbutton / escutcheon assembly, drill a straight and level 3/4" diameter x 3-1/2" deep hole.
 9. Insert wireless pushbutton / escutcheon assembly into hole and secure to wall using hardware provided.

BATTERY REPLACEMENT

Wireless Chime

Replace batteries following door chime instructions.

Wireless Pushbutton

Remove wireless pushbutton / escutcheon assembly from wall and follow Step 1 in section titled "Wireless Pushbutton Installation." Replace battery with one N Cell, 1.5V alkaline battery. Close battery cover and re-install wireless pushbutton / escutcheon assembly with hardware.

ADDITIONAL DOOR CHIMES

When installing other Wireless Door Chime sets, remember to set switches to different settings to avoid interference. If you want them to all ring at the same time, set them to the same frequency code.

TROUBLESHOOTING

The range of the door chime depends on location, temperature and battery condition. If you are having problems with this product, please try the solutions listed below.

Chime rings on its own:

- A neighbor may have a wireless chime set with the same frequency jumper settings. Change the chime and button frequency jumpers.

Chime doesn't sound:

- Make sure the button and the chime jumpers are set the same.
- Replace the button battery. Also check chime batteries.

Batteries are OK, but chime does not work when installed:

- Mounting the chime or button directly on metal, concrete or near metal studs reduces the range.
- Do not mount the chime too close to ground level concrete slabs which may also reduce the range. Mount the chime away from the floor.
- Try different locations for the chime closer to the button. Also, try to orient the chime at a different angle to increase the range. Range is most effective to the sides of the button.

Regulatory Information

The user is cautioned that changes or modifications not expressly approved by the party responsible for regulatory compliance could void the user's authority to operate this equipment.

WARRANTY

NUTONE ONE YEAR LIMITED WARRANTY

NuTone warrants to the original consumer purchaser of its products that such products will be free from defects in materials or workmanship for a period of one year from the date of original purchase. THERE ARE NO OTHER WARRANTIES, EXPRESS OR IMPLIED, INCLUDING, BUT NOT LIMITED TO, IMPLIED WARRANTIES OF MERCHANTABILITY OR FITNESS FOR A PARTICULAR PURPOSE.

During this one-year period, NuTone will, at its option, repair or replace, without charge, any product or part which is found to be defective under normal use and service.

THIS WARRANTY DOES NOT EXTEND TO FLUORESCENT LAMP STARTERS, TUBES, HALOGEN AND INCANDESCENT BULBS, FUSES, FILTERS, DUCTS, ROOF CAPS, WALL CAPS AND OTHER ACCESSORIES FOR DUCTING. This warranty does not cover (a) normal maintenance and service or (b) any products or parts which have been subject to misuse, negligence, accident, improper maintenance or repair (other than by NuTone), faulty installation or installation contrary to recommended installation instructions.

The duration of any implied warranty is limited to the one-year period as specified for the express warranty. Some states do not allow limitation on how long an implied warranty lasts, so the above limitation may not apply to you.

NUTONE'S OBLIGATION TO REPAIR OR REPLACE, AT NUTONE'S OPTION, SHALL BE THE PURCHASER'S SOLE AND EXCLUSIVE REMEDY UNDER THIS WARRANTY. NUTONE SHALL NOT BE LIABLE FOR INCIDENTAL, CONSEQUENTIAL OR SPECIAL DAMAGES ARISING OUT OF OR IN CONNECTION WITH PRODUCT USE OR PERFORMANCE. Some states do not allow the exclusion or limitation of incidental or consequential damages, so the above limitation or exclusion may not apply to you.

This warranty gives you specific legal rights, and you may also have other rights, which vary from state to state. This warranty supersedes all prior warranties.

To qualify for warranty service, you must (a) notify NuTone at the address or telephone number below, (b) give the model number and part identification and (c) describe the nature of any defect in the product or part. At the time of requesting warranty service, you must present evidence of the original purchase date.

Broan-NuTone LLC, 926 W. State Street, Hartford, Wisconsin 53027
www.nutone.com 888-336-6151

Broan-NuTone Canada, Inc., 1140 Tristar Drive, Mississauga, Ontario L5T 1H9
www.nutone.ca 877-896-1119