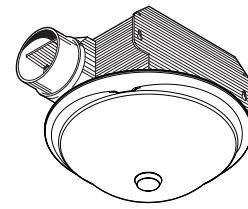


## DECORATIVE VENTILATION FAN WITH LIGHT



### READ AND SAVE THESE INSTRUCTIONS

#### WARNING

TO REDUCE THE RISK OF FIRE, ELECTRIC SHOCK, OR INJURY TO PERSONS, OBSERVE THE FOLLOWING:

1. Use this unit only in the manner intended by the manufacturer. If you have questions, contact the manufacturer at the address or telephone number listed in the warranty.
2. Before servicing or cleaning unit, switch power off at service panel and lock the service disconnecting means to prevent power from being switched on accidentally. When the service disconnecting means cannot be locked, securely fasten a prominent warning device, such as a tag, to the service panel.
3. Installation work and electrical wiring must be done by a qualified person(s) in accordance with all applicable codes and standards, including fire-rated construction codes and standards.
4. Sufficient air is needed for proper combustion and exhausting of gases through the flue (chimney) of fuel burning equipment to prevent backdrafting. Follow the heating equipment manufacturer's guideline and safety standards such as those published by the National Fire Protection Association (NFPA), and the American Society for Heating, Refrigeration and Air Conditioning Engineers (ASHRAE), and the local code authorities.
5. When cutting or drilling into wall or ceiling, do not damage electrical wiring and other hidden utilities.
6. Ducted fans must always be vented to the outdoors.
7. DO NOT install in a tub or shower enclosure.
8. This unit must be grounded.
9. This unit is U.L. listed. Type I.C. inherently protected.

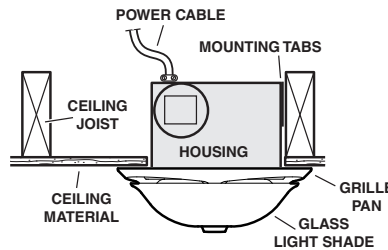
#### CAUTION

1. For general ventilating use only. Do not use to exhaust hazardous or explosive materials and vapors.
2. This product is designed for installation in FLAT CEILINGS ONLY. Do not mount this product in a wall.
3. The light fixture assembly must be mounted to the fan housing assembly included with this product. Do not mount the light fixture assembly to a wiring outlet box.
4. To avoid motor bearing damage and noisy and/or unbalanced impellers, keep drywall spray, construction dust, etc. off power unit.
5. Please read specification label on product for further information and requirements.

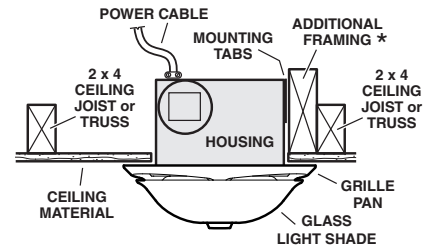
**Installer:**  
Leave this manual with the homeowner.

**Homeowner:**  
Use and Care information on page 4.

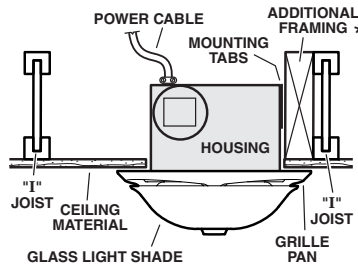
#### TYPICAL INSTALLATIONS



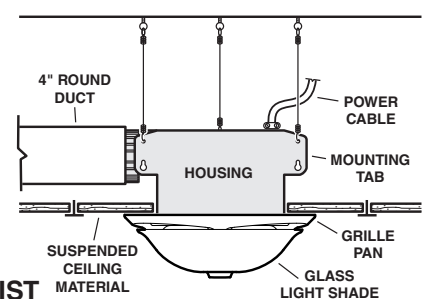
**HOUSING MOUNTED DIRECTLY TO JOIST**  
2x6 (or larger)  
*Discharge parallel to joists.*



**HOUSING MOUNTED TO 2x4 TRUSS**  
*Requires additional framing for mounting tabs.*  
*Discharge parallel to joists.*



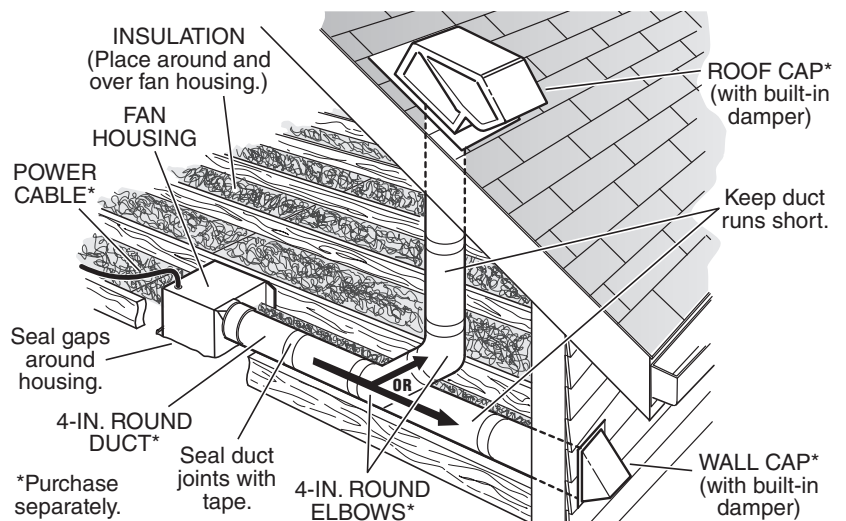
**HOUSING MOUNTED TO "1" JOIST**  
*Requires additional framing for mounting tabs.*  
*Discharge parallel to joists.*



**SUSPENDED CEILING**  
*Housing hung with wires - 3-point mount.*

\* Additional framing must be a 2x6 (minimum height)

#### PLAN THE INSTALLATION



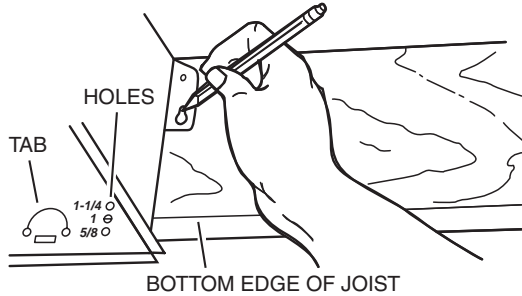
\*Purchase separately.

## INSTALL THE HOUSING

- PLEASE NOTE -

THE FOLLOWING INSTALLATION ILLUSTRATIONS SHOW 2 X 6 JOISTS. IF YOU HAVE A TRUSS OR "I"-JOIST INSTALLATION, MOUNT THE VENTILATOR TO THE ADDITIONAL FRAMING IN THE SAME MANNER. (Additional framing must be a 2x6 (minimum height).

### New Construction



1. Choose the location for your fan in the ceiling. For best possible performance, use the shortest possible duct run and a minimum number of elbows.
2. Position mounting brackets against joist so that bottom edge of housing will be flush with finished ceiling.

**Additional positioning feature for 5/8", 1", & 1-1/4" thick ceiling material:**

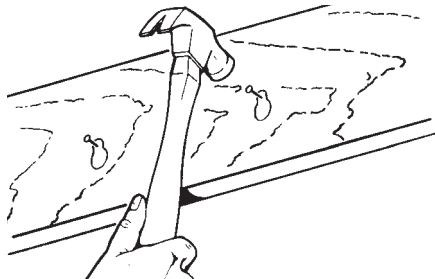
Holes in corners of housing are labeled with various ceiling material thicknesses. Position housing so bottom edge of joist is visible through a matched set of holes. The housing is now in the proper position for that ceiling material thickness.

**Additional positioning feature for 1/2" thick ceiling material:**

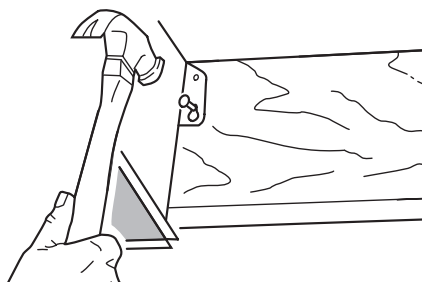
Bend two tabs, on side of housing, 90° outward. Lift housing until tabs contact underside of joist.

Mark the keyhole slot on both mounting brackets.

3. Set housing aside and drive nails partially into joist at the top of both keyhole marks.

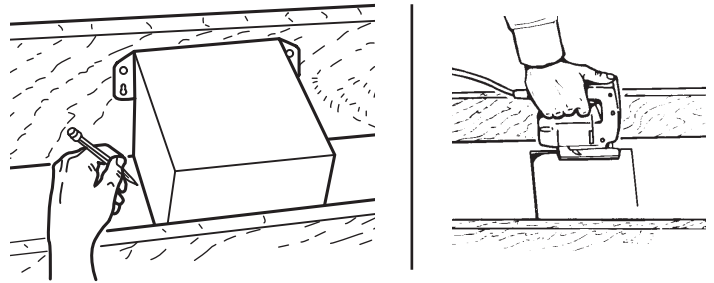


4. Hang housing from nails and pound nails tight. To ensure a noise-free mount, pound another nail through the top hole of each mounting tab.

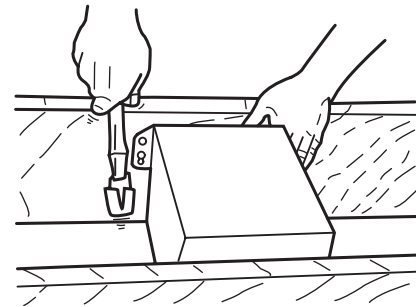


### Existing Construction

1. Choose the location for your fan/light in the ceiling. For best possible performance, use the shortest possible duct run and a minimum number of elbows.

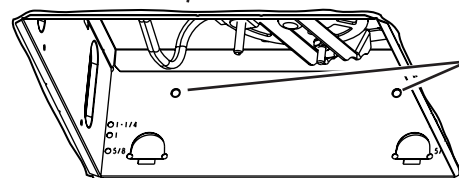


2. In attic, position mounting brackets against joist. Trace outline of housing on ceiling material.
3. Set housing aside and cut ceiling opening slightly larger than marked.



4. Place housing in opening so that its bottom edge is flush with finished ceiling. Nail to joist through keyhole on both sides. To ensure a noise-free installation, drive another nail through the top hole of each mounting bracket.

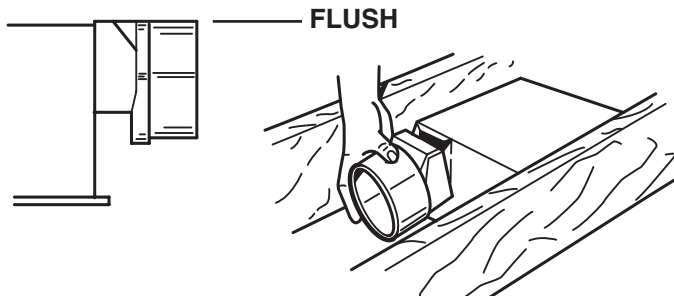
RECOMMENDED: SEAL BETWEEN CEILING MATERIAL & HOUSING (4 SIDES)



5. Additional mounting holes are provided for installations where access from above is inconvenient or not possible. Nail or screw housing directly to joists or framing.

Recommended: Seal between ceiling material & housing on all 4 sides to prevent air leakage.

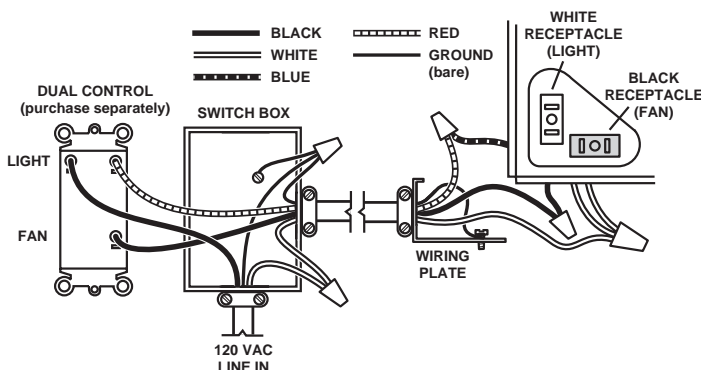
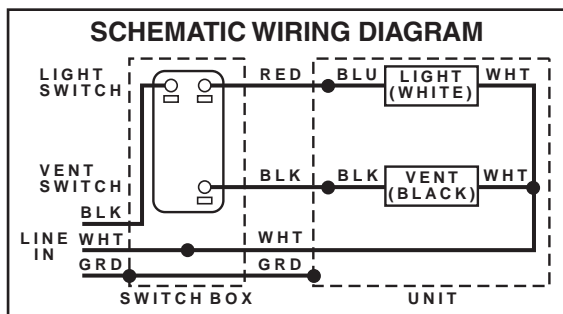
## INSTALL THE DUCTWORK



**NOTE:** The duct connector has a counter-balanced damper flap. The flap will be “open” approx. 1” when duct connector is attached to housing. This design permits insulation to be in direct contact with fan/light housing per UL (Underwriters Laboratories) standards. The slightest backdraft, however, will close the damper flap, preventing air from entering unit or finished space.

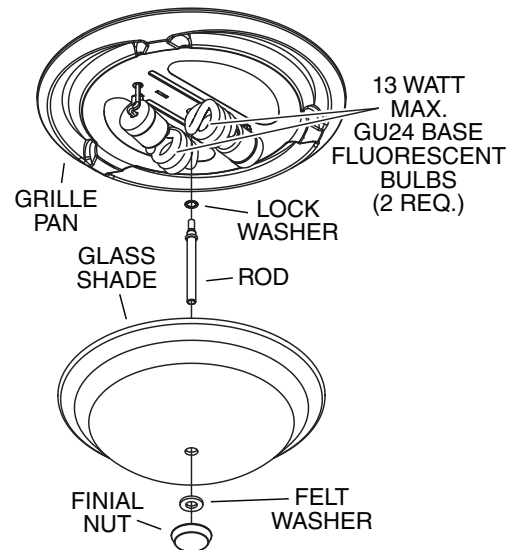
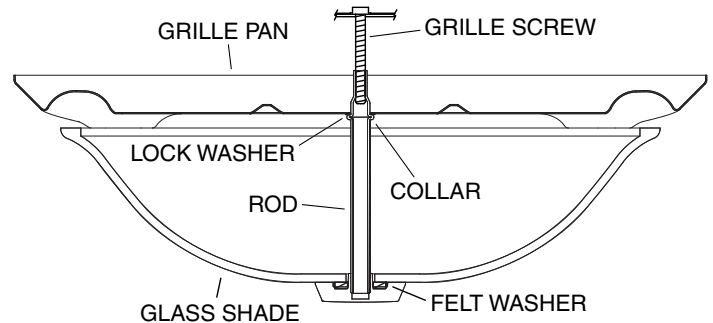
1. Snap the damper/duct connector onto housing. Make sure that tabs on the connector lock into slots in housing. Top of damper/duct connector should be flush with top of housing.
2. Connect 4” round duct to damper/duct connector and extend duct to outside through a roof or wall cap. Check damper to make sure that it opens freely. Tape all duct connections to make them secure and air tight.

## CONNECT THE WIRING



1. Wire unit following diagram above. Run electrical cable as direct as possible to unit. Do not allow cable to touch sides or top of unit after installation is complete.

## ATTACH THE GRILLE PAN AND GLASS SHADE



1. Locate the grille pan over the fan housing and connect the wiring harness plug into white receptacle in the fan housing.
2. Insert rod through center hole of grille pan. Use lock washer between collar on rod and pan.
3. Thread rod onto grille screw in housing, until pan is tight against ceiling. Do not over-tighten mounting rod.
4. Install bulbs. Use 13-watt (maximum), GU24 base, fluorescent bulbs with a M.O.L. (maximum overall length) of 4.8 inches or less.
5. Place glass shade over mounting rod and align shade over grille pan. Secure glass shade to grille pan with felt washer and finial nut as shown.
6. Restore electrical power and check operation of the unit.

## USE AND CARE

**WARNING: DISCONNECT ELECTRICAL POWER SUPPLY AND LOCK OUT SERVICE PANEL BEFORE CLEANING OR SERVICING THIS UNIT.**

### BULB REPLACEMENT

Remove glass shade. Replace bulbs as required. Replace glass shade.

Use 13 Watt (maximum), GU24 base, fluorescent bulbs with a M.O.L. (maximum overall length) of 4.8 inches or less.

### MOTOR LUBRICATION

The motor is permanently lubricated. Do not oil or disassemble motor.

## SERVICE PARTS

KEY	PART NO.	DESCRIPTION
1	99527648	Glass Shade
2	97018635	Shade Mounting Hardware
3	99271452	Lamp, 13 W GU24 Type Fluorescent
4	99260425	Motor Nut, Hex Keps
5	97018311	Motor Plate
6	99150583	Grille Screw
7	99080634	Motor
8	99020300	Blower Wheel
9	99270981	Lamp Receptacle, White
10	99270982	Motor Receptacle, Black
11	98009612	Wiring Panel
12	99150471	Ground Screw
13	99170245	Screw, #8-18 X 3/8"
14	98008868	Wiring Plate
15	97014185	Damper / Duct Connector
16	97014922	Housing Assembly
A	97018630	Light Fixture Assembly (Includes Key Nos. 1, 2 and B)
B	97018733	Grille Pan Assembly (Includes Key No. 3)
C	97018327	Blower Assembly (Includes Key Nos. 4 thru 8)
D	97015171	Wire Panel Assembly (Includes Key Nos. 9, 10, 11)

Order replacement parts by "PART NO." - not by "KEY NO."

## WARRANTY

### NuTone Ventilation Fan/Lights - Limited Warranty

**WARRANTY PERIOD:** NuTone warrants to the original consumer purchaser of its NuTone Ventilation Fan/light (the "Fan") that your Fan, including lamps/bulbs, will be materially free from defects in materials or workmanship for a period of one (1) years from the date of original purchase. The warranty on the lamps/bulbs provided with the Fan does not cover lamp/bulb breakage. This warranty does not cover accessories, such as speed controls, that may be purchased separately and installed with the Fan. The limited warranty period for replacement parts, and for Fans repaired or replaced under this limited warranty, shall continue for the remainder of the original warranty period.

**NO OTHER WARRANTIES:** THE FOREGOING WARRANTIES ARE EXCLUSIVE AND IN LIEU OF ANY OTHER WARRANTIES, EXPRESS OR IMPLIED. NUTONE DISCLAIMS AND EXCLUDES ALL OTHER EXPRESS WARRANTIES, AND DISCLAIMS AND EXCLUDES ALL WARRANTIES IMPLIED BY LAW, INCLUDING WITHOUT LIMITATION THOSE OF MERCHANTABILITY AND FITNESS FOR A PARTICULAR PURPOSE. TO THE EXTENT THAT APPLICABLE LAW PROHIBITS THE EXCLUSION OF IMPLIED WARRANTIES, THE DURATION OF ANY APPLICABLE IMPLIED WARRANTY IS LIMITED TO THE PERIOD SPECIFIED FOR THE EXPRESS WARRANTY. Some states do not allow limitations on how long an implied warranty lasts, so the above limitation may not apply to you. Any oral or written description of the Fan is for the sole purpose of identifying it and shall not be construed as an express warranty.

**REMEDY:** During the applicable limited warranty period, NuTone will, at its option, provide replacement parts for, or repair or replace, without charge, any Fan or part thereof, to the extent NuTone finds it to be covered by and in breach of this limited warranty. NuTone will ship the repaired or replaced Fan or replacement parts to you at no charge. You are responsible for all costs for removal, reinstallation and shipping, insurance or other freight charges incurred in the shipment of the Fan or part to NuTone. This warranty does not cover (a) normal maintenance and service, (b) normal wear and tear, (c) any Fans or parts which have been subject to misuse, abuse, abnormal usage, negligence, accident, improper or insufficient maintenance, storage or repair (other than repair by NuTone), (d) damage caused by faulty installation, or installation or use contrary to recommendations or instructions, (e) any Fan that has been moved from its original point of installation, (f) damage caused by environmental or natural elements, (g) damage in transit, (h) natural wear of finish, (i) Fans in commercial or nonresidential use, or (j) damage caused by fire, flood or other act of God. This warranty covers only Fans sold in the United States or Canada or through distributors authorized by NuTone.

**EXCLUSION OF DAMAGES:** NUTONE'S OBLIGATION TO PROVIDE REPLACEMENT PARTS, OR REPAIR OR REPLACE, AT NUTONE'S OPTION, SHALL BE YOUR SOLE AND EXCLUSIVE REMEDY UNDER THIS LIMITED WARRANTY AND NUTONE'S SOLE AND EXCLUSIVE OBLIGATION. NUTONE SHALL NOT BE LIABLE FOR INCIDENTAL, INDIRECT, CONSEQUENTIAL OR SPECIAL DAMAGES ARISING OUT OF OR IN CONNECTION WITH THE FAN, ITS USE OR PERFORMANCE. Incidental damages include but are not limited to such damages as loss of time and loss of use. Consequential damages include but are not limited to the cost of repairing or replacing other property which was damaged if the Fan does not work properly. Some states do not allow the exclusion or limitation of incidental or consequential damages, so the above limitation or exclusion may not apply to you. This warranty gives you specific legal rights, and you may also have other rights, which vary from state to state.

This warranty supersedes all prior warranties and is not transferable from the original consumer purchaser.

**NUTONE SHALL NOT BE LIABLE TO YOU, OR TO ANYONE CLAIMING UNDER YOU, FOR ANY OTHER OBLIGATIONS OR LIABILITIES, INCLUDING, BUT NOT LIMITED TO, OBLIGATIONS OR LIABILITIES ARISING OUT OF BREACH OF CONTRACT OR WARRANTY, NEGLIGENCE OR OTHER TORT OR ANY THEORY OF STRICT LIABILITY, WITH RESPECT TO THE FAN OR NUTONE'S ACTS OR OMISSIONS OR OTHERWISE.**

This warranty covers only replacement or repair of defective Fans or parts thereof at NuTone's main facility and does not include the cost of field service travel and living expenses.

Any assistance NuTone provides to or procures for you outside the terms, limitations or exclusions of this limited warranty will not constitute a waiver of such terms, limitations or exclusions, nor will such assistance extend or revive the warranty.

NuTone will not reimburse you for any expenses incurred by you in repairing or replacing any defective Fan, except for those incurred with NuTone's prior written permission.

**HOW TO OBTAIN WARRANTY SERVICE:** To qualify for warranty service, you must (a) notify NuTone at the address or telephone number stated below within seven (7) days of discovering the covered defect, (b) give the model number and part identification and (c) describe the nature of any defect in the Fan or part. At the time of requesting warranty service, you must present evidence of the original purchase date.

Broan-NuTone LLC, 926 West State Street, Hartford, WI 53027 (1-800-637-1453)

If you must send the Fan or part to NuTone, as instructed by NuTone, you must properly pack the Fan or part—NuTone is not responsible for damage in transit.

## USE AND CARE

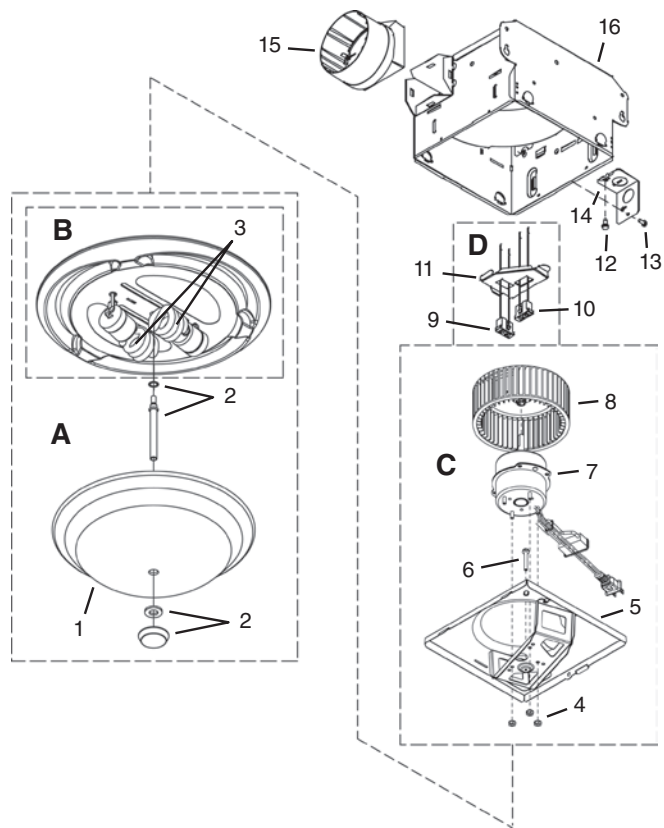
### CLEANING

#### TO CLEAN GLASS SHADE AND GRILLE PAN:

Remove glass shade. Shade can be wiped clean with a mild detergent solution or glass cleaner and dried with a soft cloth. Remove 2 bulbs. Grille pan may be gently vacuumed and wiped clean with a soft cloth. Never use abrasive cloth, steel wool pads or scouring powders on glass shade or grille pan. METAL AND ELECTRICAL PARTS SHOULD NEVER BE IMMERSSED IN WATER.

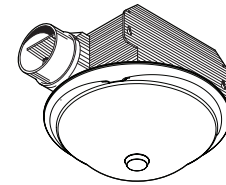
#### TO CLEAN FAN ASSEMBLY:

Remove grille pan and unplug fan assembly (black receptacle). Gently vacuum fan, motor and interior of housing. METAL AND ELECTRICAL PARTS SHOULD NEVER BE IMMERSSED IN WATER.





## VENTILADOR DECORATIVA CON LA LUZ



### LEA Y CONSERVE ESTAS INSTRUCCIONES

#### ADVERTENCIA



#### PARA REDUCIR EL RIESGO DE INCENDIO, DESCARGA ELÉCTRICA O LESIONES PERSONALES, OBSERVE LO SIGUIENTE:

1. Utilice esta unidad solamente de acuerdo con las instrucciones del fabricante. Si tiene preguntas comuníquese con el fabricante a la dirección o al número telefónico que se indica en la garantía.
2. Antes de dar servicio o limpiar la unidad, interrumpa el suministro de energía en el panel de servicio y bloquee los dispositivos de desconexión para evitar la reinstalación accidental de la energía. Cuando no se puedan bloquear los dispositivos de desconexión, fije seguramente en el panel de servicio un medio de advertencia que sea visible, como por ejemplo una etiqueta.
3. Una persona o personas calificadas deben realizar el trabajo de instalación y el cableado eléctrico, de acuerdo con todos los códigos y normas aplicables, inclusive los códigos y normas de construcción para evitar incendios.
4. Se necesita suficiente aire para que se realice la combustión y la descarga de gases adecuadas a través de la chimenea del equipo para quemar combustible a fin de evitar las corrientes de inversión. Observe los lineamientos del fabricante del equipo de calefacción y las normas de seguridad, como por ejemplo las publicadas por la Asociación Nacional de Protección contra Incendios (National Fire Protection Association: NFPA), y la Sociedad Americana de Ingenieros en Calefacción, Refrigeración y Sistemas de Acondicionamiento de Aire (American Society for Heating, Refrigeration and Air Conditioning Engineers: ASHRAE), y los códigos locales. ditioning Engineers (ASHRAE), y las autoridades de los códigos locales.
5. Cuando corte o perfora la pared o el cielo raso, tenga cuidado de no dañar el cableado eléctrico ni otras conexiones de servicios que se encuentren ocultas.
6. Los ventiladores con conductos siempre deben tener salida hacia el exterior.
7. NO instale el aparato en una caja de bañera o ducha.
8. Esta unidad se debe conectar a tierra.
9. Esta unidad está incluida en la lista de U.L. Tipo I.C. proteger inherente.

#### PRECAUCIÓN

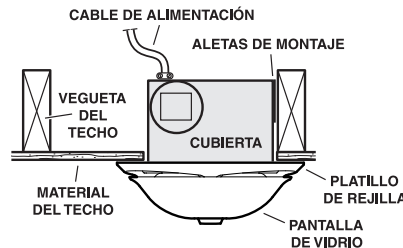


1. Esta unidad debe usarse solamente para ventilación general. No la utilice para la descarga de materiales ni vapores peligrosos o explosivos.
2. Este producto está diseñado SOLAMENTE PARA INSTALARSE EN EL CIELO RASO. No monte este producto en la pared.
3. El conjunto de la luz se debe montar al montaje de la cubierta del ventilador incluido con este producto. **No monte el conjunto de la luz a una caja del enchufe del cableado.**
4. Para evitar causar daño a los cojinetes del motor y pistones impulsores ruidosos y/o no balanceados, mantenga los aerosoles para pirca, el polvo de construcción, etc. lejos del motor.
5. Por favor consulte la información y los requerimientos adicionales contenidos en la etiqueta de especificaciones que se encuentra en el producto.

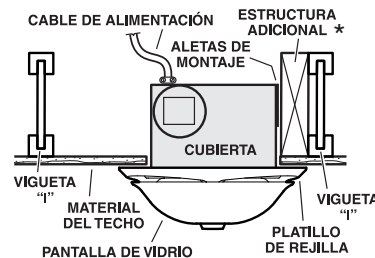
A la persona que realiza la instalación:  
Deje este manual con el dueño de la casa.

Al dueño de la casa:  
Las instrucciones de operación y limpieza se encuentran en la página 12.

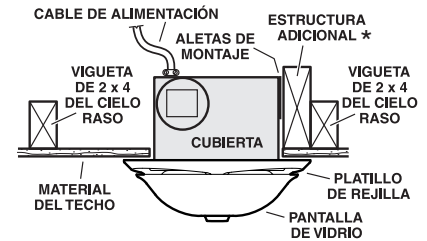
#### INSTALACIONES TÍPICAS



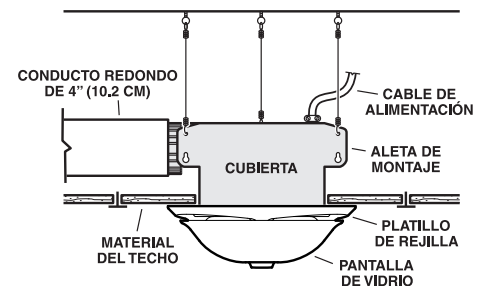
**CUBIERTA MONTADA DIRECTAMENTE EN LA VIGUETA 2x6 (o más grande).  
Descarga paralela a las viguetas.**



**CUBIERTA MONTADA EN UNA VIGUETA "1"  
Se requiere una estructura adicional para las aletas de montaje. Descarga paralela a las viguetas.**



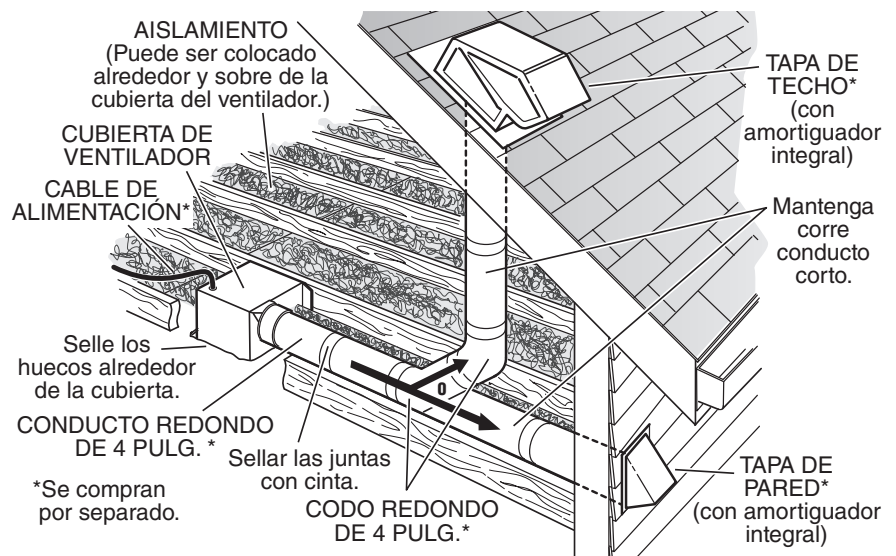
**CUBIERTA MONTADA EN UNA VIGA DE 2x4  
Se requiere una estructura adicional para las aletas de montaje. Descarga paralela a las viguetas.**



**TECHOS SUSPENDIDOS  
Cubierta montada con cables.  
Montaje de tres puntos.**

\* La estructura adicional debe ser un tramo de 2x6 (altura mínima).

#### PLANIFICACIÓN DE LA INSTALACIÓN



\*Se compran por separado.

## INSTALACIÓN DE LA CUBIERTA

- POR FAVOR NOTE -

LAS SIGUIENTES ILUSTRACIONES DE LA INSTALACIÓN MUESTRAN VIGUETAS DE 2 X 6. SI LA INSTALACIÓN ES EN UNA VIGA O EN UNA VIGUETA EN "I"; MONTE EL VENTILADOR EN LA ESTRUCTURA ADICIONAL DE LA MISMA MANERA. (La estructura adicional debe ser un tramo de 2x6 (altura mínima).

### Construcción nueva

1. Seleccione la ubicación del ventilador con lámpara en el cielo raso. Para obtener el mejor rendimiento posible, utilice un tramo de conductos lo más corto posible y un número mínimo de codos.



2. Coloque las abrazaderas de montaje contra la vigueta, de manera que el borde inferior de la cubierta quede al ras del cielo raso terminado.

**Característica adicional para la colocación en material de cielo raso de 5/8" (1.6 cm), 1" (2.5 cm) y 1 1/4" (3.2 cm):**

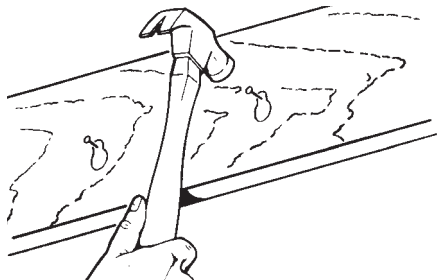
Los orificios que se encuentran en las esquinas de la cubierta están marcados con varios espesores del material del cielo raso. Coloque la cubierta de manera que el borde inferior de la vigueta sea visible a través del conjunto de orificios que coinciden. Ahora la cubierta se encuentra en la posición adecuada para ese espesor del material del cielo raso.

**Característica adicional para la colocación en material de cielo raso de 1/2" (1.3 cm):**

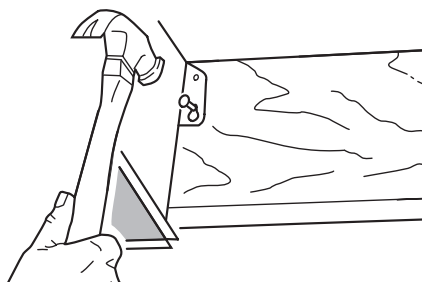
Doble a 90° y hacia afuera las dos aletas que se encuentran a los costados de la cubierta. Levante la cubierta hasta que las aletas entren en contacto con la cara inferior de la vigueta.

Marque el orificio con forma de cerradura de ambas abrazaderas de montaje.

3. Coloque la cubierta a un lado e introduzca parcialmente los clavos en la vigueta, en la parte superior de ambas marcas de los orificios en forma de cerradura.

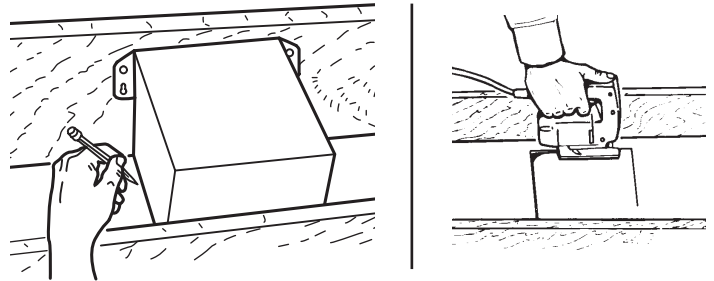


4. Suspenda la cubierta con los clavos e introduzca los clavos completamente. Para asegurar un montaje sin ruido, coloque otro clavo en el orificio superior de cada aleta de montaje.

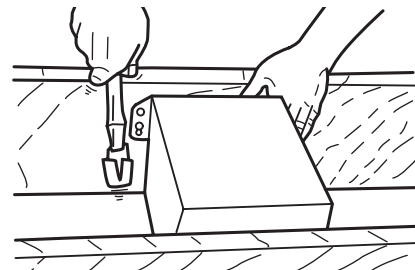


### Construcción existente

1. Seleccione la ubicación del ventilador con lámpara en el cielo raso. Para obtener el mejor rendimiento posible, utilice un tramo de conductos lo más corto posible y un número mínimo de codos.

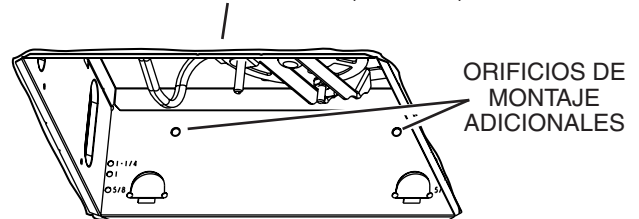


2. En el entretecho, coloque las abrazaderas de montaje contra la vigueta. Trace el perímetro de la cubierta en el material del techo.
3. Coloque la cubierta a un lado y haga una abertura en el techo ligeramente más grande que el perímetro marcado.



4. Coloque la cubierta en la abertura de manera que su borde inferior quede al ras del cielo raso terminado. Clave la cubierta en la vigueta a través del orificio en forma de cerradura, en ambos lados. Para asegurar un montaje sin ruido, coloque otro clavo en el orificio superior de cada aleta de montaje.

RECOMENDADO: SELLO ENTRE EL MATERIAL DEL TECHO Y LA VIVIENDA (4 LADOS)



5. En la cubierta se pueden encontrar orificios de montaje adicionales para aquellas instalaciones en las que es inconveniente o imposible el acceso desde arriba. Clave o atornille la cubierta directamente en las viguetas o el armazón.

Recomendado: Sello entre el material del techo y la vivienda en los 4 lados para evitar las fugas de aire.

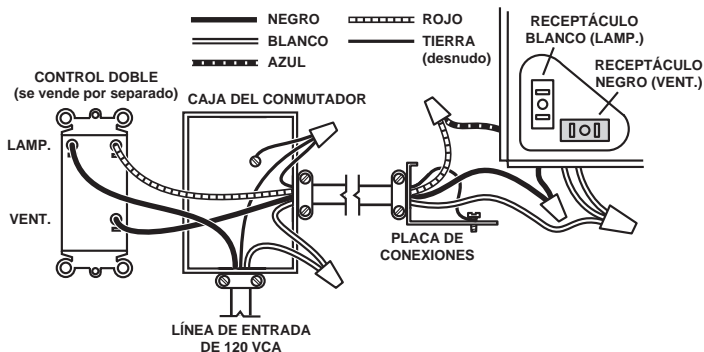
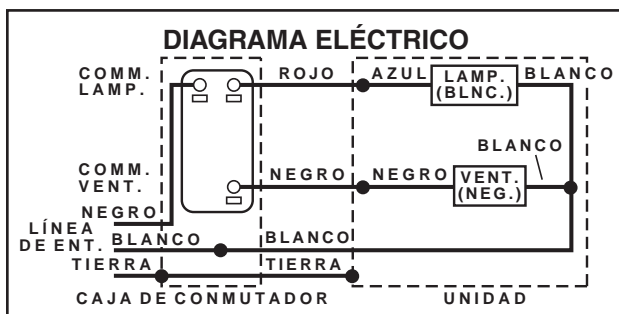
## INSTALACIÓN DEL SISTEMA DE CONDUCTOS



**NOTA:** El conector del conducto tiene una aleta compensadora para el regulador de tiro. La aleta estará "abierta" aproximadamente 1" (2.5 cm) cuando el conector del conducto se sujete a la cubierta. Este diseño permite que el material de aislamiento esté en contacto directo con la cubierta del ventilador con lámpara de acuerdo con las normas de UL (Underwriters Laboratories). Sin embargo, la más ligera corriente invertida cerrará la aleta del regulador de tiro, evitando así la entrada de aire a la unidad o al espacio terminado.

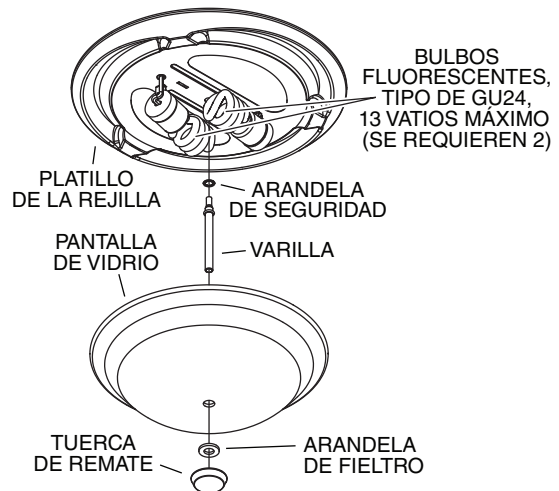
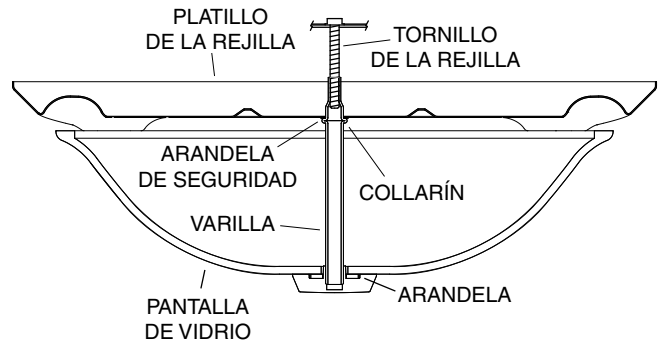
1. Conecte a presión el conector del regulador de tiro/conducto en la cubierta. Asegúrese de que las aletas del conector queden fijadas en las ranuras de la cubierta. La parte superior del conector del regulador de tiro/conducto debe quedar al ras de la parte superior de la cubierta.
2. Conecte el conducto redondo de 4" (10.2 cm) en el conector del regulador de tiro/conducto y extienda el conducto hasta el exterior a través de una tapa de techo o de pared. Revise el regulador de tiro para asegurarse de que abre libremente. Coloque cinta en todas las conexiones de los conductos para asegurarlas y hacerlas herméticas.

## CONEXIÓN ELÉCTRICA



1. Conecte la unidad de acuerdo con este diagrama. Extienda el cable eléctrico a la unidad tan directamente como sea posible. No permita que el cable toque los costados ni la parte superior de la unidad después de que la instalación esté terminada.

## ACOPLE EL PLATILLO DE LA REJILLA Y LA PANTALLA DE VIDRIO



1. Coloque el platillo de la rejilla sobre la caja del ventilador y conecte el enchufe del arnés de cables en el receptáculo blanco de la caja del ventilador.
2. Introduzca la varilla por el orificio central del platillo de la rejilla. Coloque la arandela de seguridad entre el collar de la varilla y el platillo.
3. Enrosque la varilla en el tornillo de la rejilla de la caja hasta apretar el platillo contra el techo. No apriete en exceso la varilla de montaje.
4. Instale las bombillas. Utilice bombillas fluorescentes, tipo de GU24, 13 vatios máximo a un M.O.L. (longitud total máxima) de 4,8 pulgadas o menos.
5. Coloque la pantalla de vidrio sobre la varilla de montaje y alinee la pantalla sobre el platillo de la rejilla. Fije la pantalla de vidrio sobre el platillo de la rejilla con arandelas de fieltro y la tuerca remate, como se ilustra.
6. Restablezca la energía eléctrica y compruebe el funcionamiento de la unidad.

## USO Y CUIDADO

**ADVERTENCIA: DESCONECTE LA CORRIENTE ELECTRICA Y BLOQUEE EL TABLERO DE SERVICIO ANTES DE LIMPIAR OR REPARAR LA UNIDAD.**

### REEMPLAZO DEL FOCO

Quite la pantalla de vidrio. Reemplace los bulbos como necesarios. Utilice bombillas fluorescentes, tipo de GU24, 13 vatios máximo con un M.O.L. (longitud total máxima) de 4,8 pulgadas o menos.

### LUBRICACIÓN DEL MOTOR

El motor lleva lubricación permanente. No lo enaceite o desarme.

## LIMPIEZA

### PARA LIMPIAR ELLENTE Y LA REJILLA:

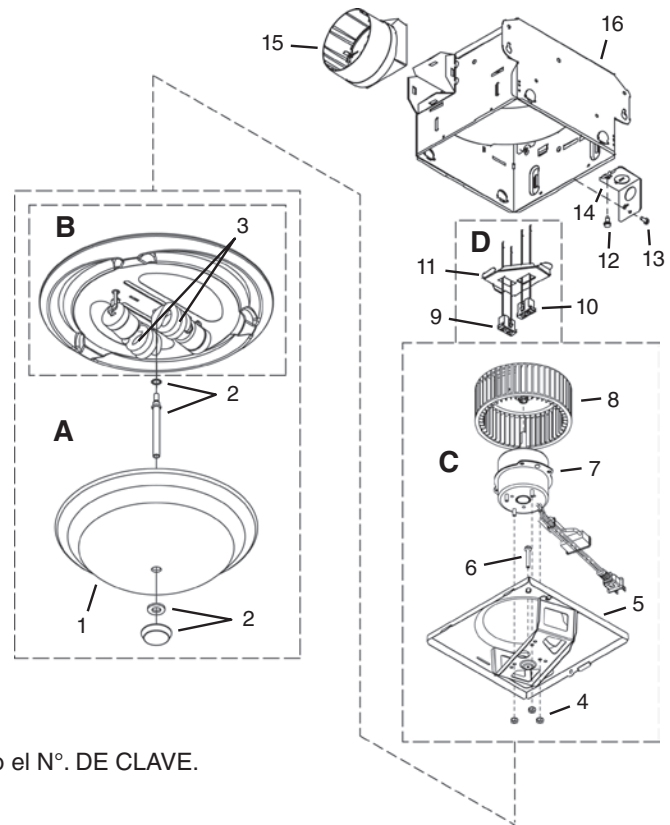
Saque la tuerca de remate y sombrero y quite la pantalla. La cortinilla puede limpiarse con una ligera solución detergente o limpiavidrio y secarse con un trapo suave. Saque los 4 focos y desconecte el enchufe del portalámpara. El tacho de rejilla puede limpiarse cuerdosamente con la aspiradora de polvo y secarse con un trapo suave. Nunca use telas abrasivas o estropajo de acero o polvos para frejar cuando limpie la cortinilla o el tacho de rejilla. LAS PIEZAS METALICAS Y ELECTRICAS NUNCA DEBEN SUMERGIRSE EN AGUA.

### PARA LIMPIAR EL VENTILADOR:

Saque la placa de la rejilla y desenchufe el ventilador (receptáculo NEGRO). Con la aspiradora limpie cuidadosamente el ventilador, motor, e interior de la caja. LAS PIEZAS METALICAS Y ELECTRICAS NUNCA DEBEN SUMERGIR EN AGUA.

## PIEZAS DE SERVICIO

CLAVE	PIEZA N.º	DESCRIPCIÓN
1	99527648	Pantalla de vidrio
2	97018635	Herrajes de montaje de la pantalla
3	99271452	Bombilla fluorescente, 13 W tipo GU24
4	99260425	Tuerca para motor, hexagonal Keps
5	97018311	Placa del motor
6	99150583	Tornillo de la rejilla
7	99080634	Motor
8	99020300	Rueda del soplador
9	99270981	Receptáculo de la lámpara, blanco
10	99270982	Receptáculo del motor, negro
11	98009612	Panel de cableado
12	99150471	Tornillo de puesta a tierra
13	99170245	Tornillo, #8-18 x 3/8 pulg.
14	98008868	Placa de cableado
15	97014185	Conector del regulador de tiro/conducto
16	97014922	Conjuntor de la cubierta
A	97018630	Conjunto del accesorio de la luz (incluye claves n.º 1, 2 y B)
B	97018733	Conjunto del platillo de la rejilla (incluye clave n.º 3)
C	97018327	Conjunto del ventilador (incluye claves n.º 4 a 8)
D	97015171	Conjunto del panel de cableado (incluye claves n.º 9, 10, 11)



Pida piezas de repuesto dando como referencia el N.º. DE PIEZA, no el N.º. DE CLAVE.

## GARANTIA

PERIODO DE GARANTÍA: NuTone garantiza al consumidor comprador original del ventilador/lámpara de NuTone - Garantía limitada. Ventiladores/lámparas de NuTone - Garantía limitada. El ventilador, incluso las lámparas/bombillas, estará libre de defectos de materiales o mano de obra durante un período de un (1) año a partir de la fecha de la compra original. La garantía en las bombillas/lámparas provista con el ventilador no cubre el rompimiento de las bombillas/lámparas. Esta garantía no cubre accesorios, como controles de velocidad, que pueden comprarse por separado e instalarse con el ventilador.

El período de garantía limitada para las piezas de repuesto y para los ventiladores reparados o reemplazados bajo esta garantía limitada continuará durante el resto del período de garantía original. NO HAY OTRAS GARANTÍAS: LAS GARANTÍAS ANTERIORES SON EXCLUSIVAS Y EN LUGAR DE CUALQUIER OTRA GARANTÍA, EXPRESA O IMPLÍCITA. NUTONE NIEGA Y EXCLUYE CUALQUIER OTRA GARANTÍA EXPRESA Y NIEGA Y EXCLUYE TODAS LAS GARANTÍAS IMPLÍCITAS POR LEY, INCLUYENDO SIN LIMITACIONES, LAS DE COMERCIALIZACIÓN Y APTITUD PARA UN PROPOSITO EN PARTICULAR. HASTA EL GRADO QUE LA LEY APLICABLE PROHIBA LA EXCLUSIÓN DE GARANTÍAS LIMITADAS. LA DURACIÓN DE CUALQUIER GARANTÍA IMPLÍCITA APLICABLE ESTÁ LIMITADA AL PERIODO ESPECIFICADO PARA LA GARANTÍA EXPRESA. Algunos estados no permiten limitaciones en la duración de una garantía implícita, así que la limitación anterior tal vez no aplique en su caso. Cualquier descripción verbal o escrita del ventilador es para el único propósito de identificarlo y no deberá considerarse como una garantía expresa.

RECURSO: Durante el período de garantía limitada aplicable, NuTone, a su opción, suministrará piezas de repuesto, o reparará o reemplazará, sin cargo alguno, cualquier ventilador o pieza del mismo, hasta el grado en que NuTone lo encuentre cubierto bajo esta garantía limitada y en cumplimiento de la misma. NuTone le enviará el ventilador reparado o reemplazado o las piezas de repuesto sin cargo. Usted es responsable de todos los costos de retiro, reinstalación y envío, seguro u otros cargos de flete incurridos en el envío del ventilador o la pieza a NuTone. Esta garantía no cubre (a) mantenimiento y servicio normal, (b) uso y desgaste normal, (c) ventiladores o piezas sujetos a mal uso, abuso, uso anormal, negligencia, accidente, mantenimiento inadecuado o insuficiente, almacenamiento o reparación (que no sea reparación por parte de NuTone), (d) daños causados por instalación defectuosa, o bien instalación o uso contrario a las recomendaciones o instrucciones, (e) cualquier ventilador que se haya movido de su punto de instalación original, (f) daños ocasionados por el medio ambiente o los elementos naturales, (g) daños en tránsito, (h) desgaste natural del acabado, (i) ventiladores en uso comercial o no residencial, o (j) daños ocasionados por incendio, inundación u otro caso fortuito. Esta garantía cubre únicamente los ventiladores vendidos en Estados Unidos o Canadá o a través de distribuidores autorizados por NuTone.

EXCLUSIÓN DE DAÑOS: LA OBLIGACIÓN DE NUTONE DE SUMINISTRAR PIEZAS DE REPUESTO, O DE REPARAR O REEMPLAZAR, A OPCIÓN DE NUTONE, SERÁ SU ÚNICO Y EXCLUSIVO REMEDIO BAJO ESTA GARANTÍA LIMITADA, Y LA ÚNICA Y EXCLUSIVA OBLIGACIÓN DE NUTONE. NUTONE NO SERÁ RESPONSABLE POR DAÑOS INCIDENTALES, INDIRECTOS, RESULTANTES O ESPECIALES QUE SURJAN POR EL USO O DESEMPEÑO DEL VENTILADOR, O EN RELACIÓN CON EL MISMO. Los daños incidentales incluyen, entre otros, daños como la pérdida de tiempo y la pérdida de uso. Los daños resultantes incluyen, entre otros, el costo de reparar o reemplazar otros bienes que fueran dañados si el ventilador no funcionara adecuadamente. Algunos estados no permiten la exclusión o limitación de daños incidentales o resultantes, por lo que la limitación antes mencionada podría no aplicarse a usted. Esta garantía le otorga derechos legales específicos, y usted podría tener otros derechos que varían de un estado a otro.

Esta garantía sustituye todas las garantías anteriores y no es transferible del comprador consumidor original. NUTONE NO SERÁ RESPONSABLE ANTE USTED, O ANTE NADIE QUE RECLAME POR USTED, DE NINGUNA OTRA OBLIGACIÓN O RESPONSABILIDAD QUE INCLUYEN, ENTRE OTRAS, OBLIGACIONES O RESPONSABILIDADES QUE SURJAN POR INCUMPLIMIENTO DE CONTRATO O GARANTÍA, NEGLIGENCIA U OTRO ACTO ILÍCITO O CUALQUIER TEORÍA DE RESPONSABILIDAD ESTRUCTA, CON RESPECTO AL VENTILADOR O A LOS ACTOS U OMISIONES DE NUTONE O DE CUALQUIER OTRA INDOLE. Esta garantía cubre únicamente el reemplazo o la reparación de ventiladores o piezas de los mismos con defectos en la planta principal de NuTone, y no incluye el costo del viaje para el servicio de campo ni los viáticos.

Cualquier asistencia que proporcione o procure NuTone para usted fuera de los términos, limitaciones o exclusiones de esta garantía limitada no constituirá una renuncia a dichos términos, limitaciones o exclusiones, ni dicha asistencia extenderá o renovará la garantía. NuTone no le reembolsará ningún gasto en el que usted haya incurrido al reparar o reemplazar cualquier ventilador defectuoso, excepto los incurridos con el permiso previo por escrito de NuTone.

CÓMO OBTENER EL SERVICIO CUBIERTO POR LA GARANTÍA: Para tener derecho al servicio cubierto por la garantía, usted debe (a) notificar a NuTone a la dirección o número de teléfono que aparecen abajo en un plazo de siete (7) días después de descubrir el defecto cubierto, (b) proporcionar el número de modelo y la identificación de la pieza y (c) describir la naturaleza de cualquier defecto en el ventilador o la pieza. En el momento de solicitar el servicio cubierto por la garantía, debe presentar un comprobante de la fecha original de compra.

Broan-NuTone LLC, 926 West State Street, Hartford, WI 53027 (1-800-637-1453)

Si debe enviar el ventilador o la pieza a NuTone y tal como lo indique NuTone, debe empaquetar adecuadamente el ventilador o la pieza; NuTone no se hace responsable por los daños en tránsito.