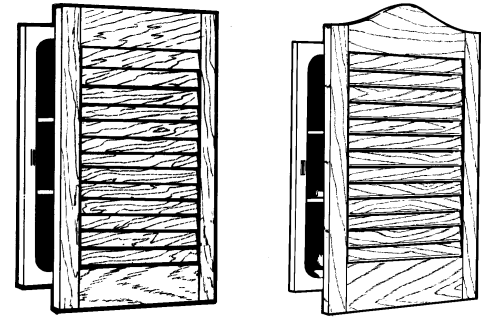


LOUVER DOOR SERIES STEEL BODY BATHROOM CABINETS



FEATURES

- Recessed installation
- Easy to clean, heavy gauge steel construction
- Adjustable polystyrene shelves (609 has steel shelves)
- Unfinished pine door can be painted or stained
- Butt hinges (609 has piano hinge)
- Includes mounting hardware

TYPICAL SPECIFICATION

Bathroom storage cabinet shall be Broan Louver Door 602, (606), (609).

Recessed bathroom cabinet shall be of heavy gauge steel construction, finished in white baked-on paint after forming.

Louvered door shall be solid unfinished pine that can be painted or stained.

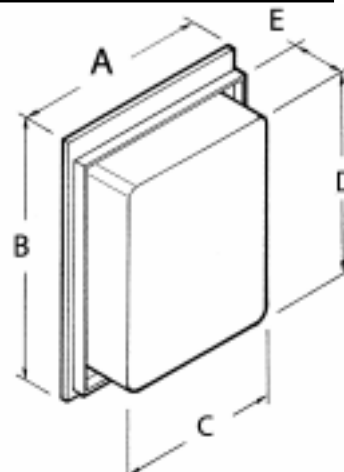
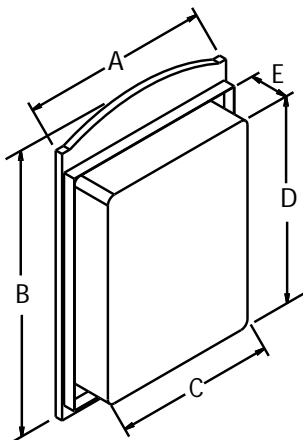
Cabinet shall have butt hinges (609 has piano hinge).

Cabinet shall include adjustable polystyrene shelves (609 has steel shelves).

STEEL BATHROOM CABINETS

MODEL NO.	OVERALL SIZE		WALL OPENING			HINGE	# SHELVES	DOOR STYLE
	A	B	C	D	E			
602	16	24	14	18	3½	Butt	2 (adj) poly	arch top
606*	16	22	14	18	3½	Butt	2 (adj) poly	flat top
609*	16	26	14	24	3½	Piano	3 (adj) steel	flat top

*Reversible body



Broan-NuTone LLC, 926 West State Street, Hartford, WI 53027 (1-800-637-1453)

REFERENCE	QTY.	REMARKS	Project
			Location
			Architect
			Engineer
			Contractor
			Submitted by Date