

NuTone®

READ AND SAVE THESE INSTRUCTIONS

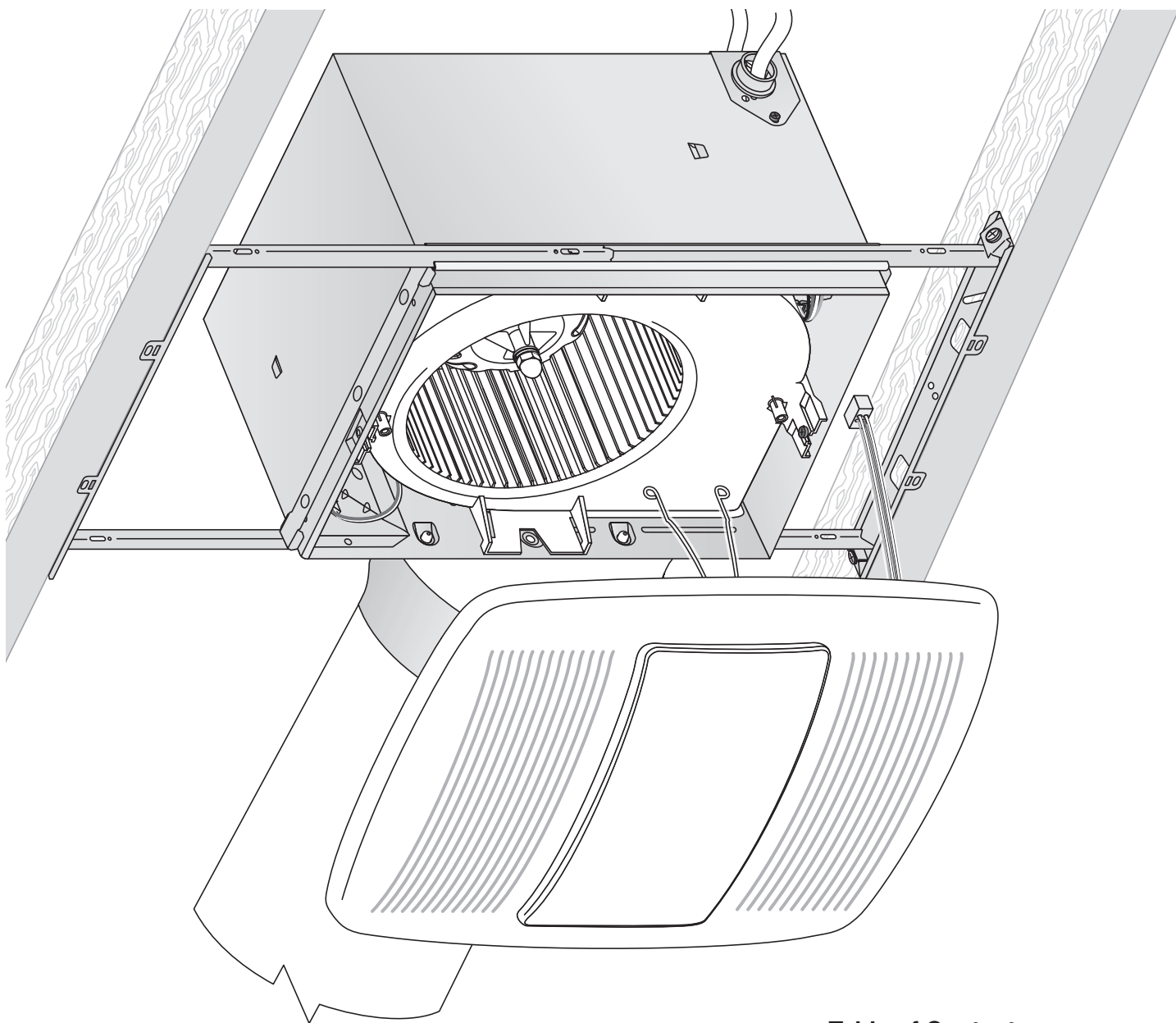
Installer: leave this guide with homeowner.

Register your product online at www.nutone.com/register.

ZN80L ■ ZN110L

X2 | Multi-Speed Ventilation
Fan with Light and Night Light

INSTALLATION GUIDE



**Easy installation in both
new construction and retrofit**

Table of Contents

Warnings and Cautions	2
Typical Installation	2
New Construction Installation	3
Retrofit Installation	7
Operation	12
Cleaning and Maintenance	12
Troubleshooting	12
Service Parts	13
Warranty	13

WARNING

TO REDUCE THE RISK OF FIRE, ELECTRIC SHOCK, OR INJURY TO PERSONS, OBSERVE THE FOLLOWING:

1. Use this unit only in the manner intended by the manufacturer. If you have questions, contact the manufacturer at the address or telephone number listed in the warranty.
2. Before servicing or cleaning unit, switch power off at service panel and lock the service disconnecting means to prevent power from being switched on accidentally. When the service disconnecting means cannot be locked, securely fasten a prominent warning device, such as a tag, to the service panel.
3. Installation work and electrical wiring must be done by a qualified person(s) in accordance with all applicable codes and standards, including fire-rated construction codes and standards.
4. Sufficient air is needed for proper combustion and exhausting of gases through the flue (chimney) of fuel burning equipment to prevent backdrafting. Follow the heating equipment manufacturer's guideline and safety standards such as those published by the National Fire Protection Association (NFPA), and the American Society for Heating, Refrigeration and Air Conditioning Engineers (ASHRAE), and the local code authorities.
5. When cutting or drilling into wall or ceiling, do not damage electrical wiring and other hidden utilities.
6. Ducted fans must always be vented to the outdoors.
7. Do not use this fan with any solid-state speed control device.
8. Acceptable for use over a tub or shower when connected to a GFCI (Ground Fault Circuit Interrupter) - protected branch circuit.
9. This unit must be grounded.

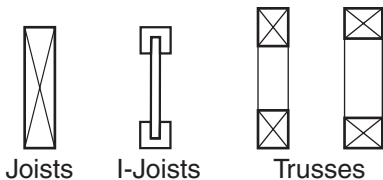
CAUTION

1. For general ventilating use only. Do not use to exhaust hazardous or explosive materials and vapors.
2. This product is designed for installation in ceilings up to a 12/12 pitch (45 degree angle). Duct connector must point up. **DO NOT MOUNT THIS PRODUCT IN A WALL.**
3. To avoid motor bearing damage and noisy and/or unbalanced impellers, keep drywall spray, construction dust, etc. off power unit.
4. Please read specification label on product for further information and requirements.

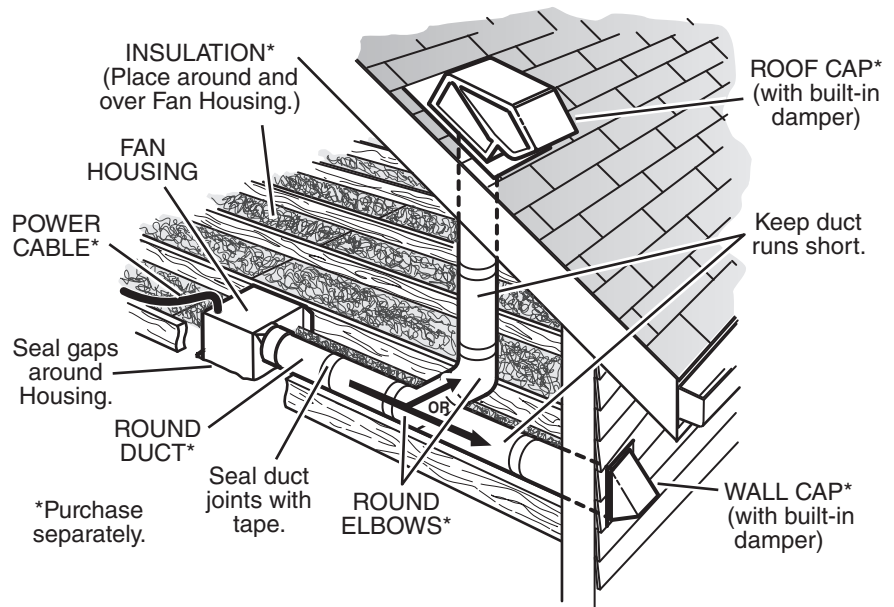


Typical Installation

- Installation is the same for:



- Fits in 2" x 8" ceiling construction.
- Infinitely adjust the fan position between joists from 14" to 24" on center.



New Construction Installation

Tools needed

- Power screwdriver with a Phillips bit
- Phillips screwdriver
- Flathead screwdriver
- Pliers
- Wire insulation stripper
- Wire cutter

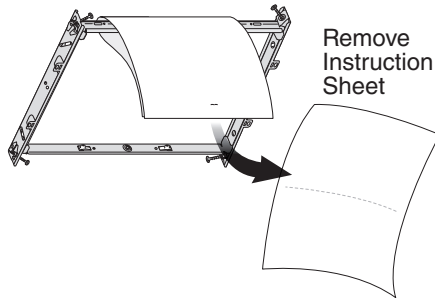
Materials needed

- 6" round metal ducting recommended for best performance.
Use of other ducting is acceptable but may impact performance.
- Roof cap or wall cap (built-in damper recommended)
- Tape to seal duct connections
- Electrical wiring and supplies per local code requirements
- 4W (max.) C7-type night light bulb

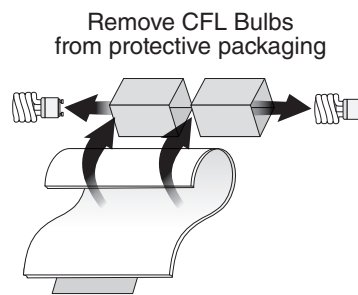
1 Remove Packaging



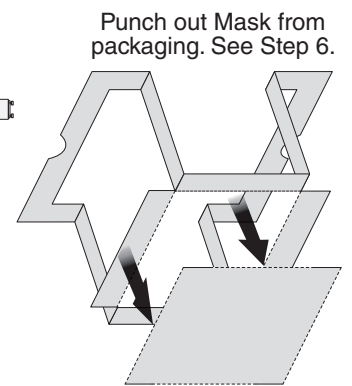
Parts Bag holds Knockout Plate and six (6) screws



Remove Instruction Sheet

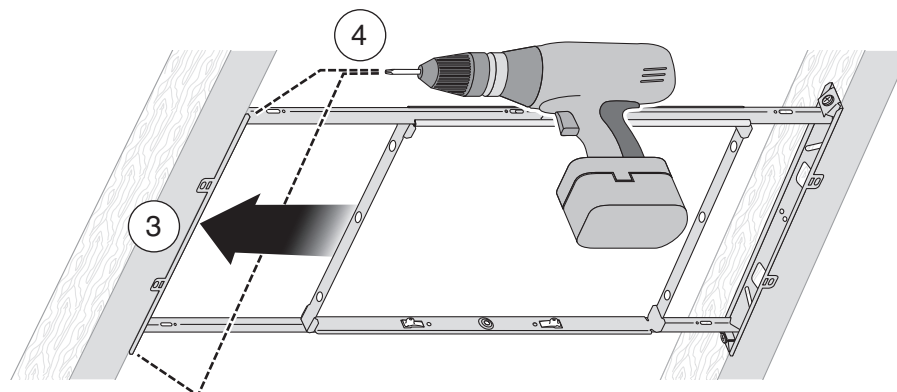
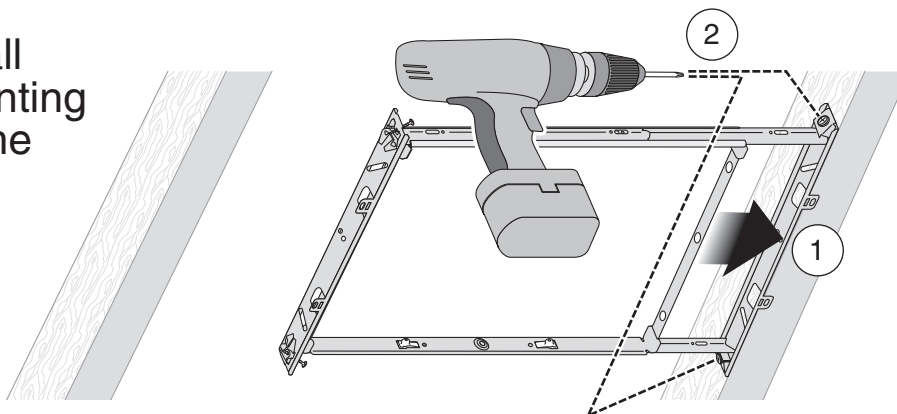


Remove CFL Bulbs from protective packaging



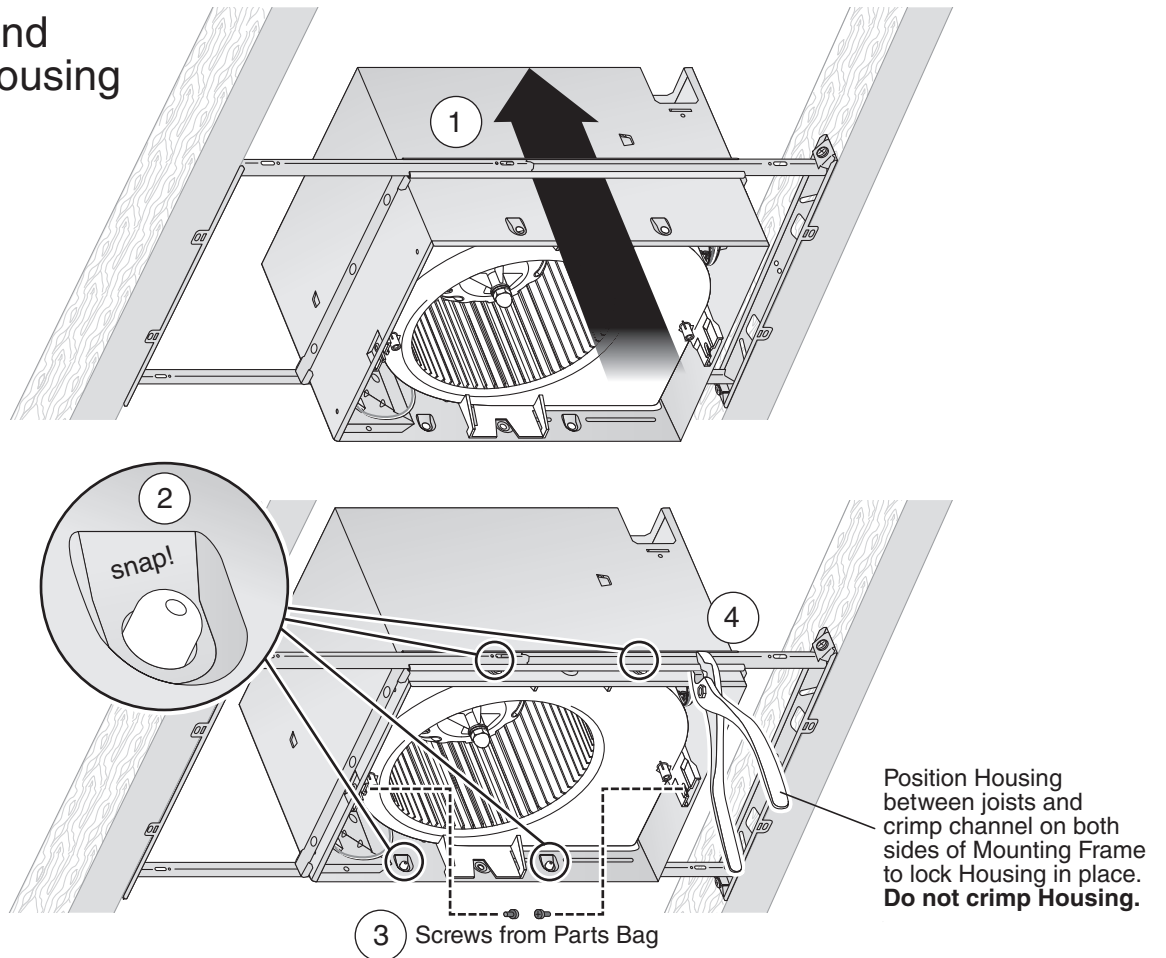
Punch out Mask from packaging. See Step 6.

2 Install Mounting Frame

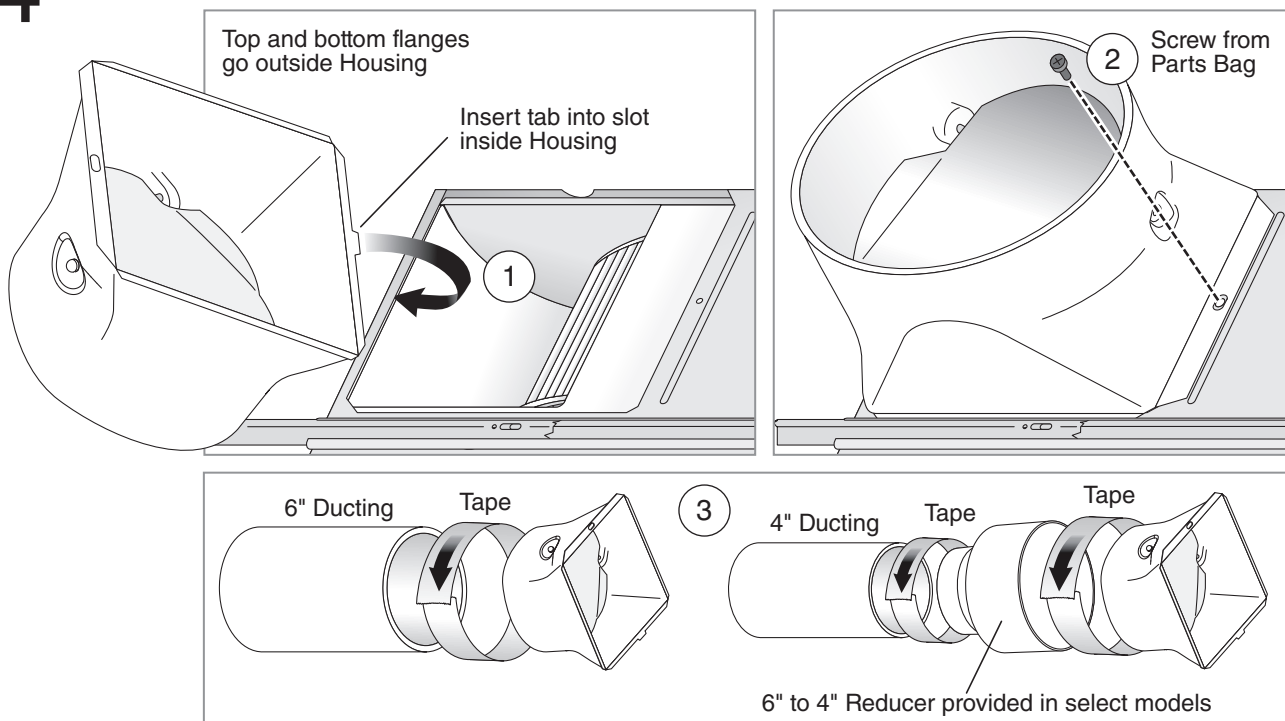


New Construction Installation

3 Snap-in and Secure Housing



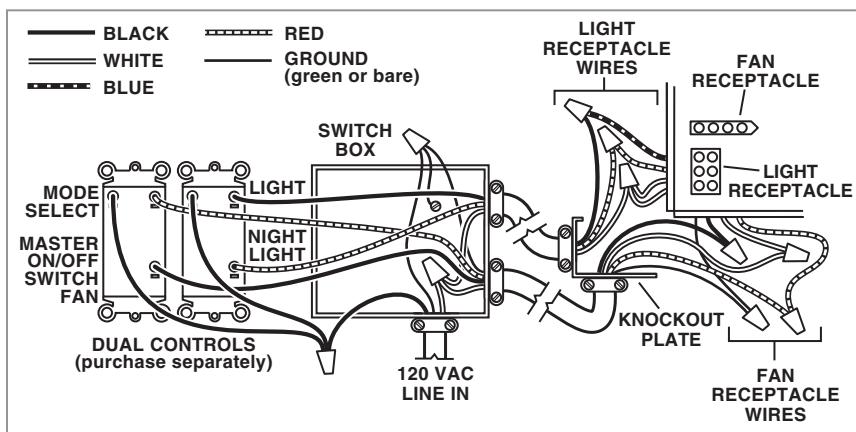
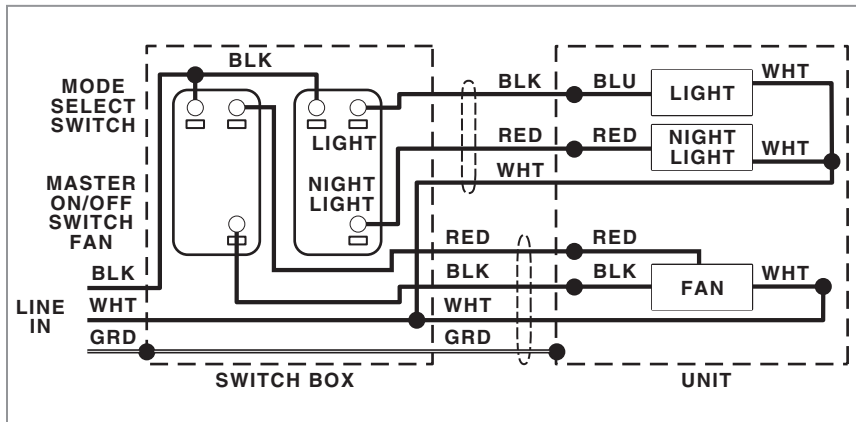
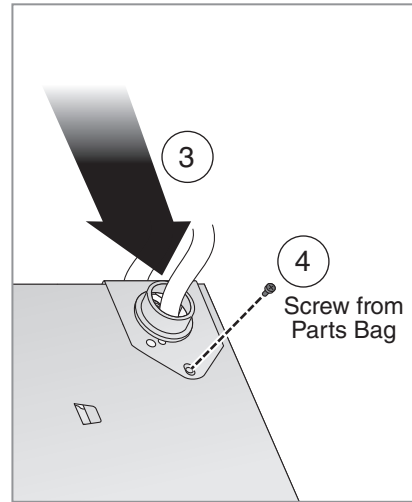
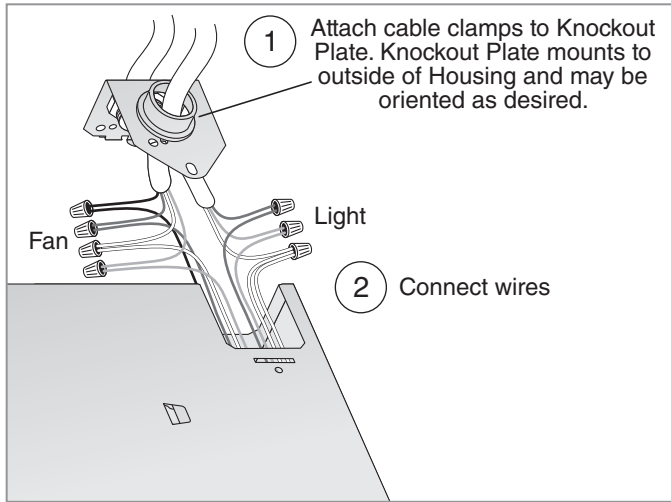
4 Attach Duct Connector and Ducting



New Construction Installation

5 Connect Wires and Install Knockout Plate

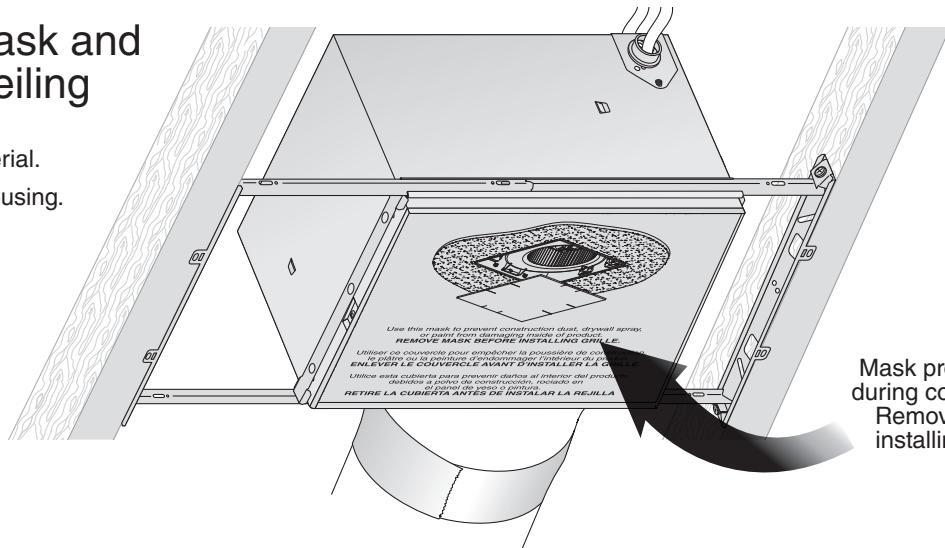
- Run 120VAC electrical wiring to the installation location.
- Use proper UL-approved connectors to secure wiring to the Knockout Plate provided in Parts Bag.
- Connect wires as shown in wiring diagram.
- Do not use a dimmer switch to operate the light.



New Construction Installation

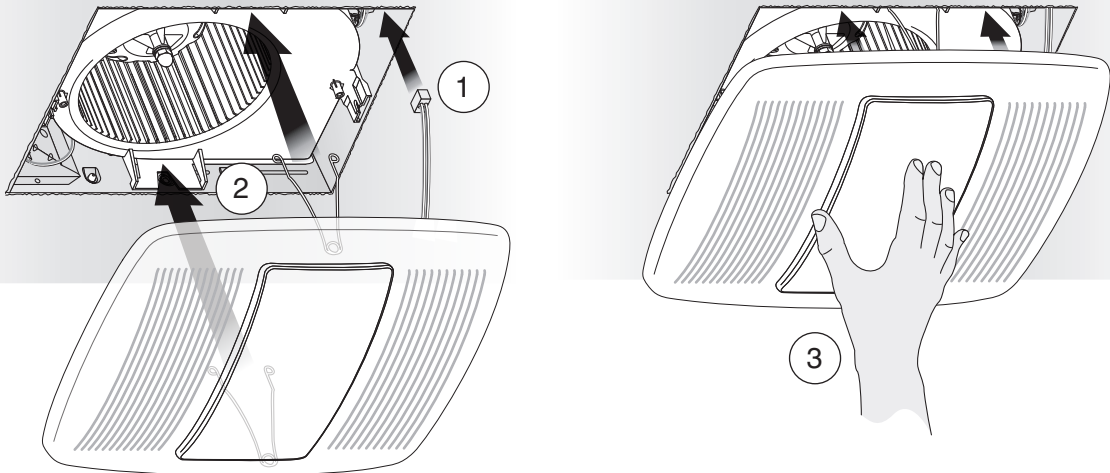
6 Insert Mask and Finish Ceiling

- Install ceiling material.
- Cut out around Housing.

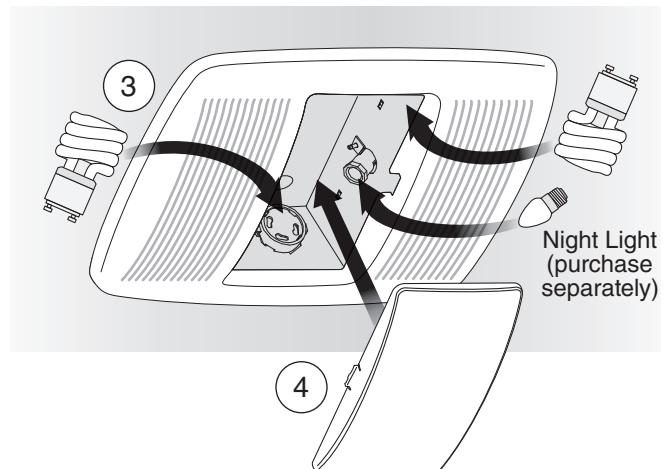
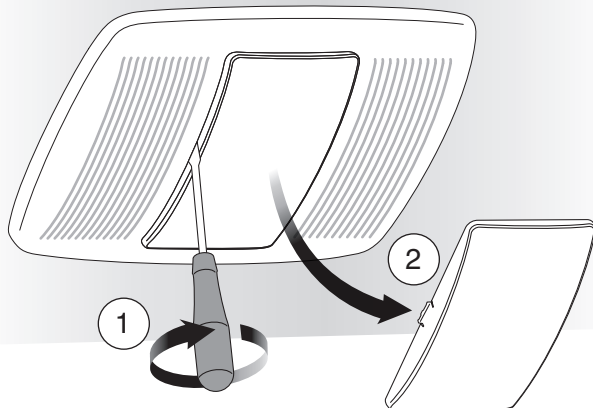


Mask protects unit during construction. Remove before installing Grille.

7 Install Grille



8 Install Bulbs



Retrofit Installation

Tools needed

- Power screwdriver with a Phillips bit
- Phillips screwdriver
- Flathead screwdriver
- Pliers
- Wire insulation stripper
- Wire cutter
- Ruler
- Pencil
- Drywall saw
- Claw hammer or pry bar
- Utility knife

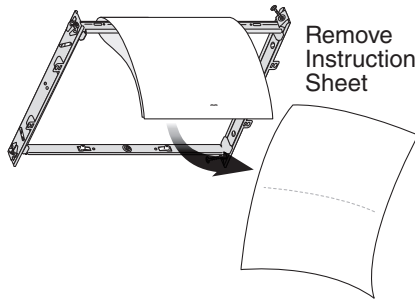
Materials needed

- Tape to seal duct connections
- Existing rigid duct will require the addition of a short length of flexible duct
- Electrical wiring and supplies per local code requirements
- 4W (max.) C7-type night light bulb

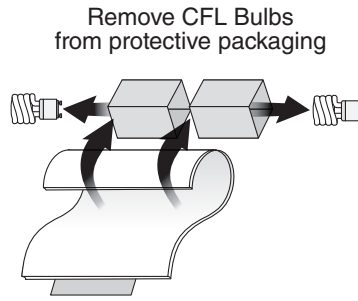
1 Remove Packaging



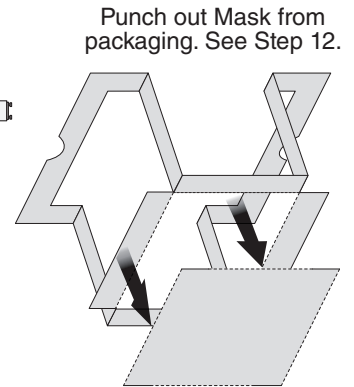
Parts Bag holds Knockout Plate and six (6) screws



Remove Instruction Sheet



Remove CFL Bulbs from protective packaging



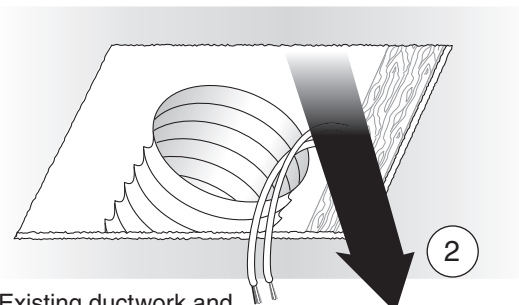
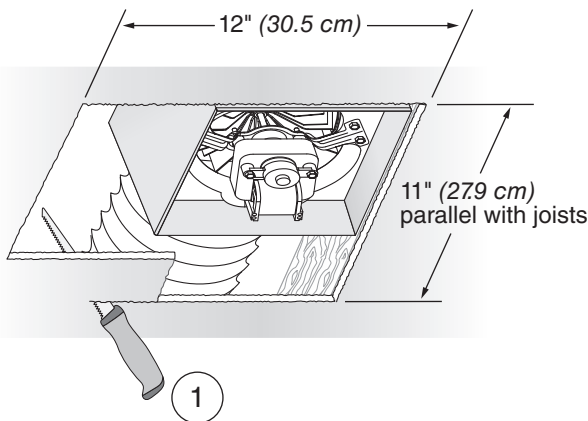
Punch out Mask from packaging. See Step 12.

2 Switch Off Power

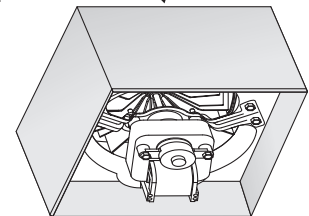
WARNING ⚡

Before removing existing fan, switch power off at service panel and lock the service disconnecting means to prevent power from being switched on accidentally. When the service disconnecting means cannot be locked, securely fasten a prominent warning device, such as a tag, to the service panel.

3 Enlarge Ceiling Opening and Remove Existing Fan



Existing ductwork and wiring left in place

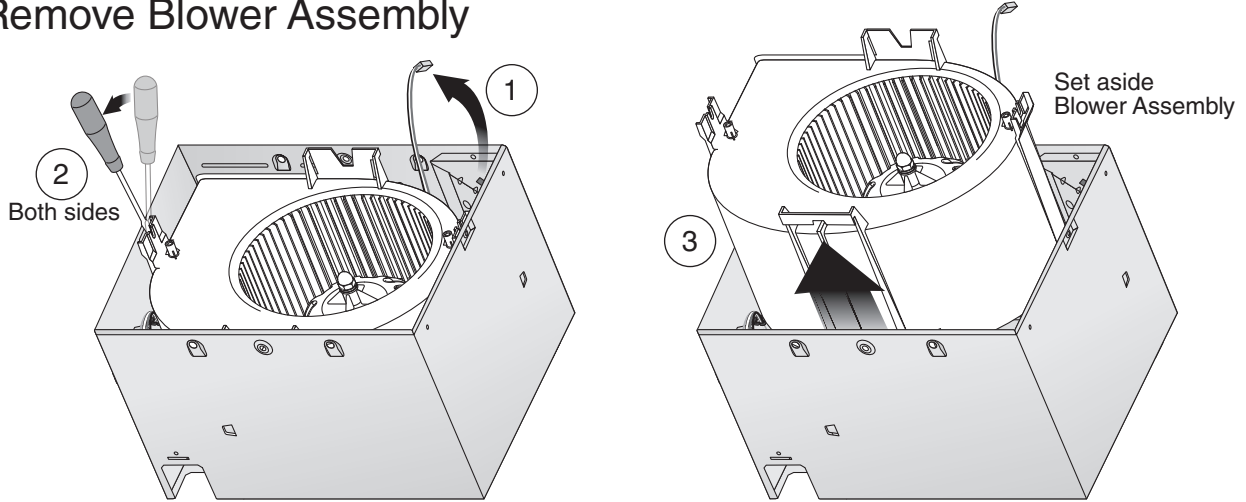


4 Examine Wiring

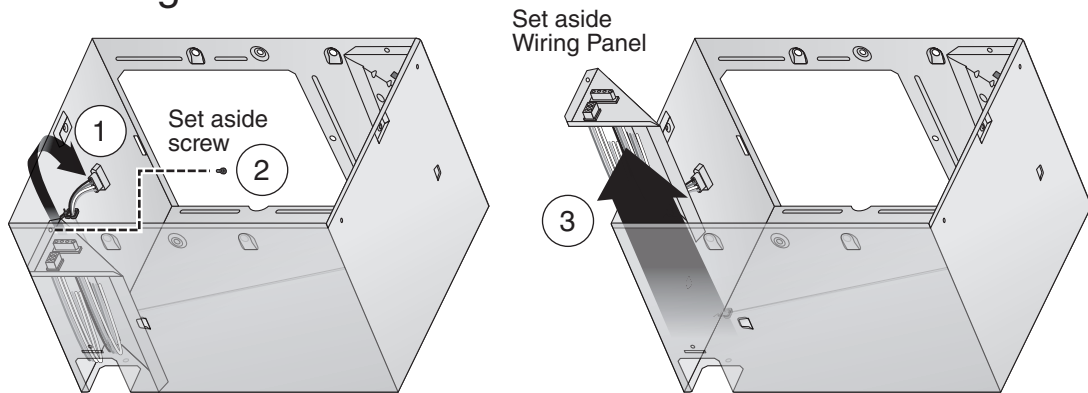
Examine the existing wiring to make sure it is not damaged. If any damage is found, **DO NOT CONTINUE INSTALLATION** of this product. Contact a qualified person(s) for repair.

Retrofit Installation

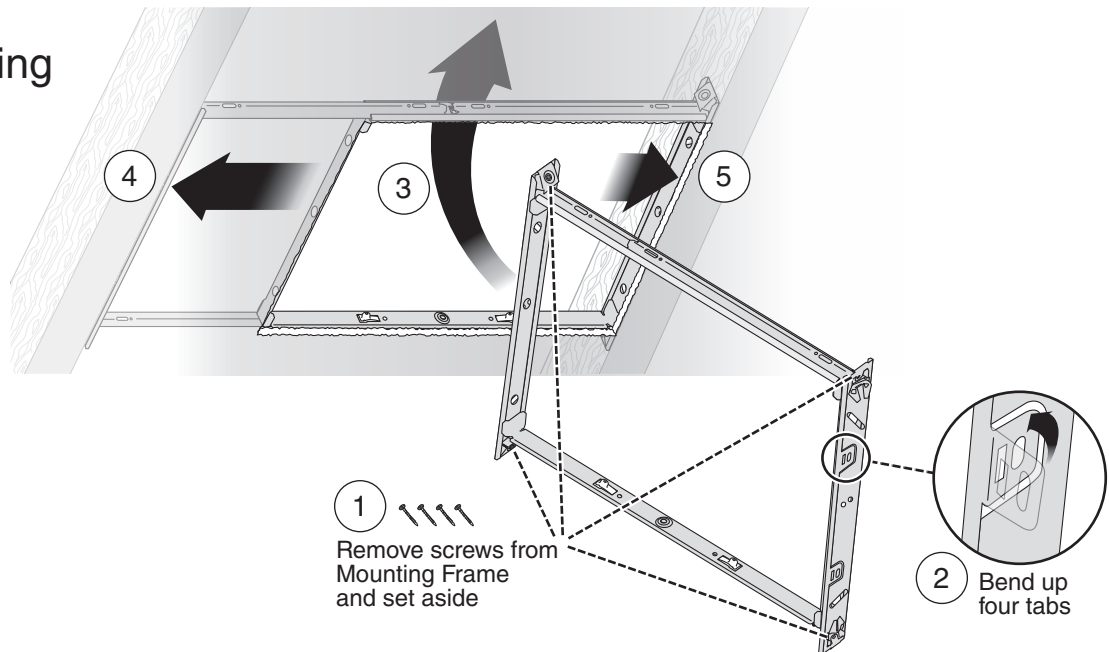
5 Remove Blower Assembly



6 Remove Wiring Panel

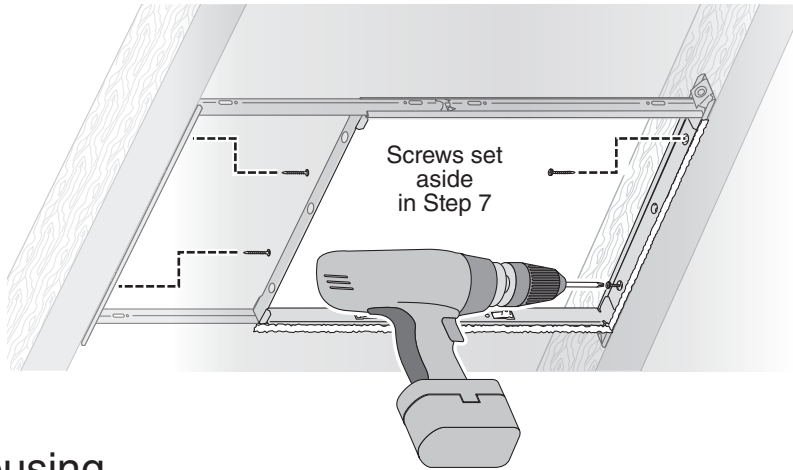


7 Insert Mounting Frame

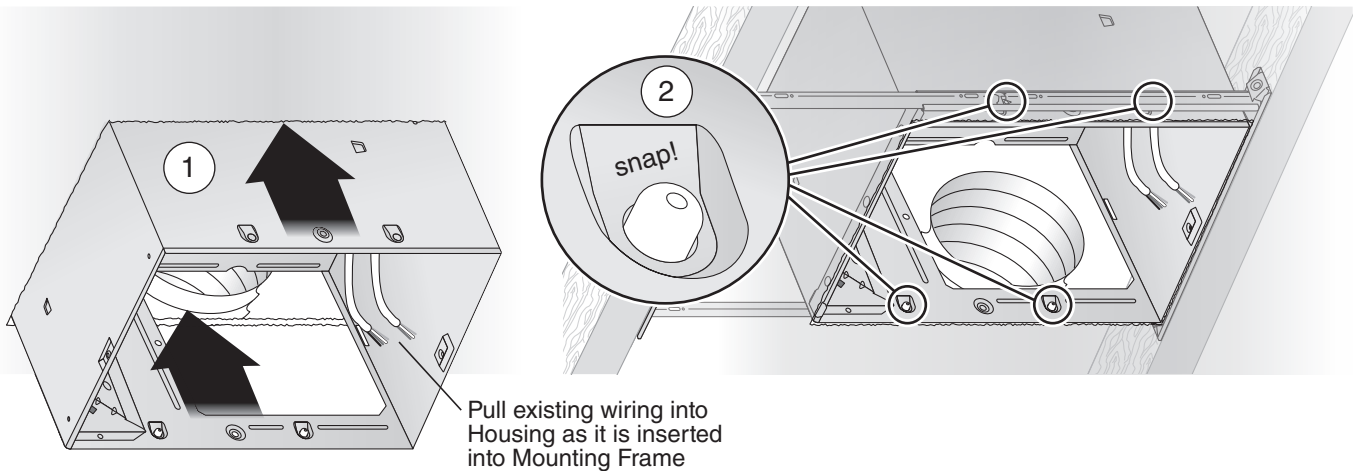


Retrofit Installation

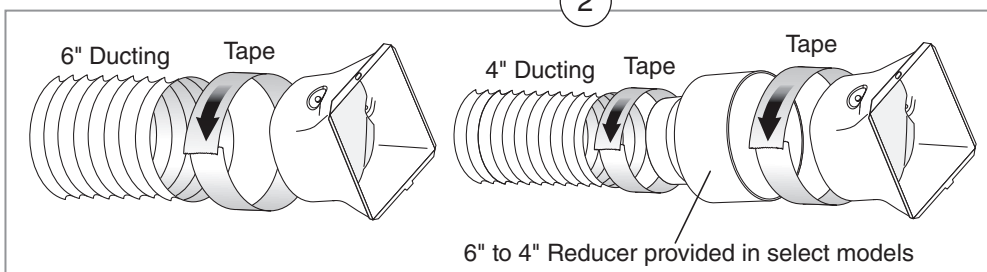
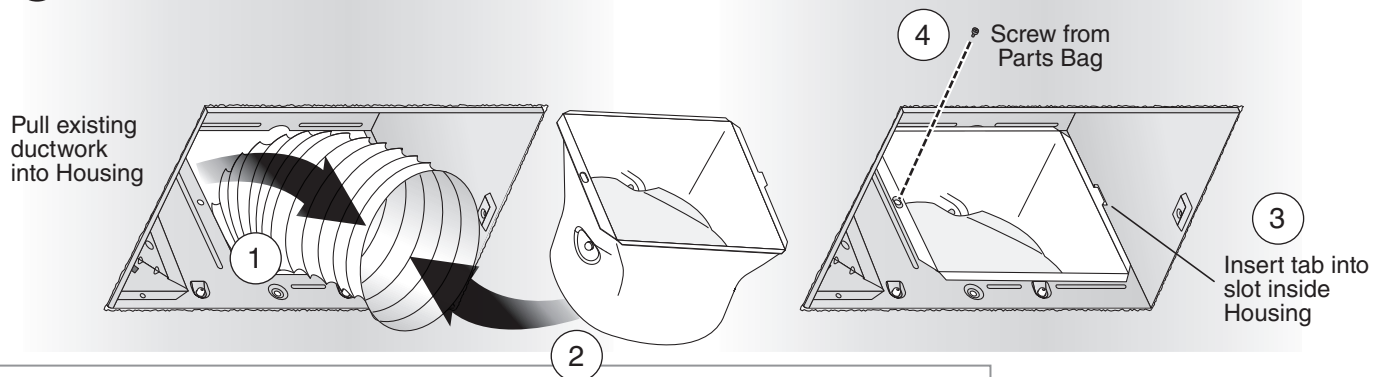
8 Secure Mounting Frame



9 Snap-in Housing



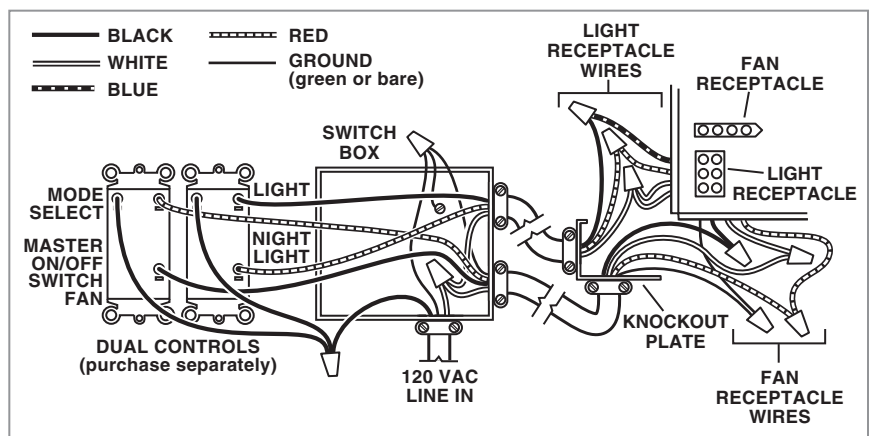
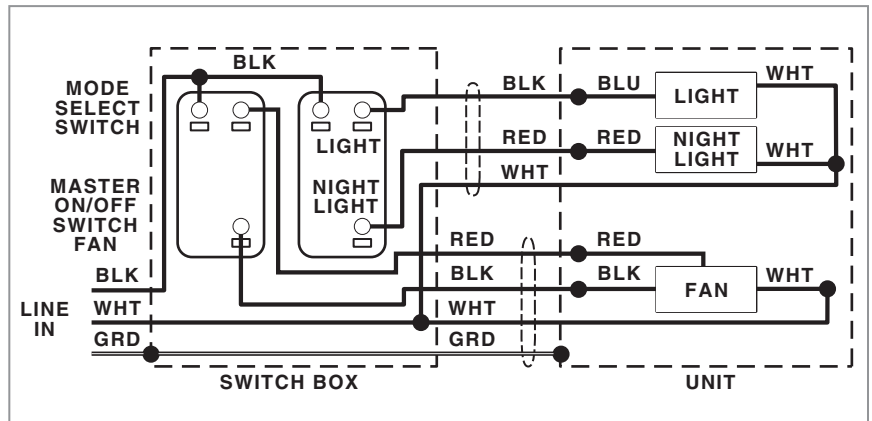
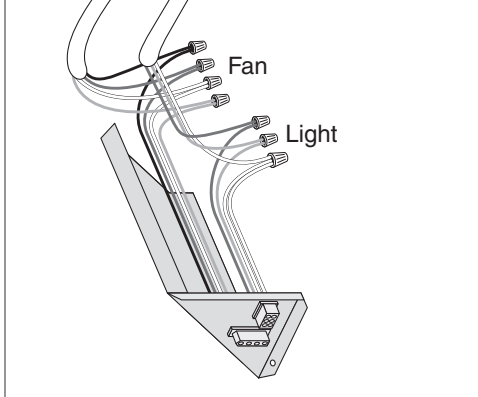
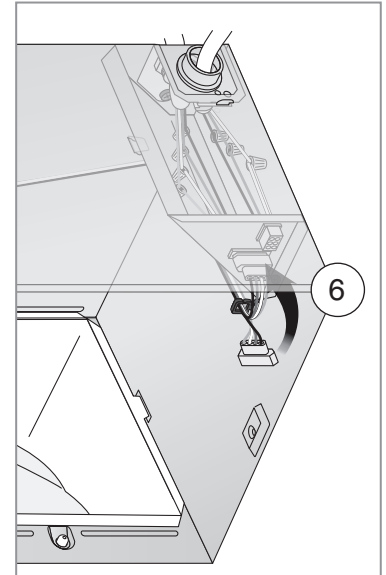
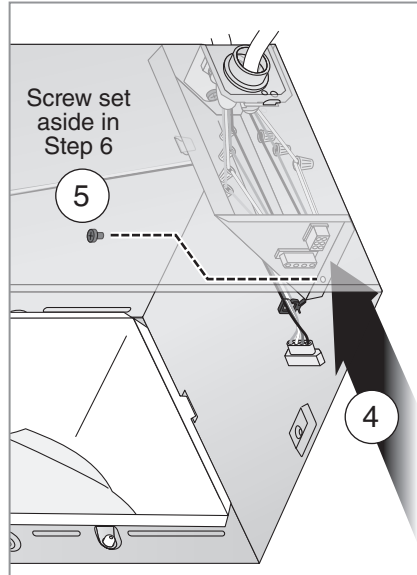
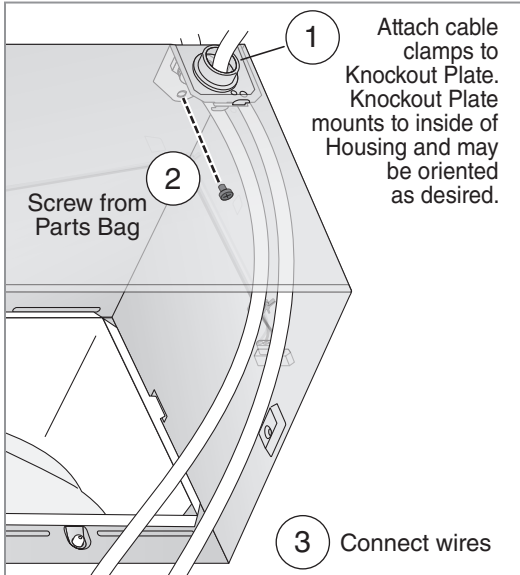
10 Attach Ducting and Duct Connector



Retrofit Installation

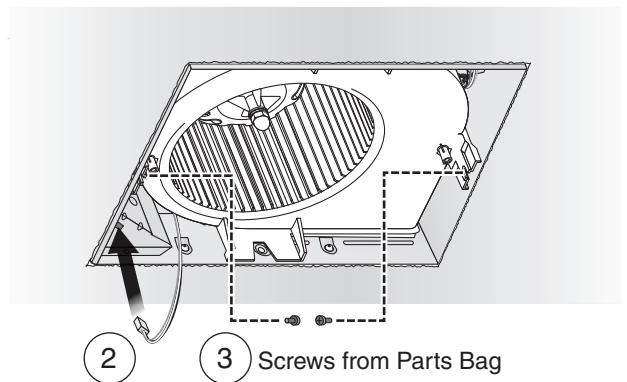
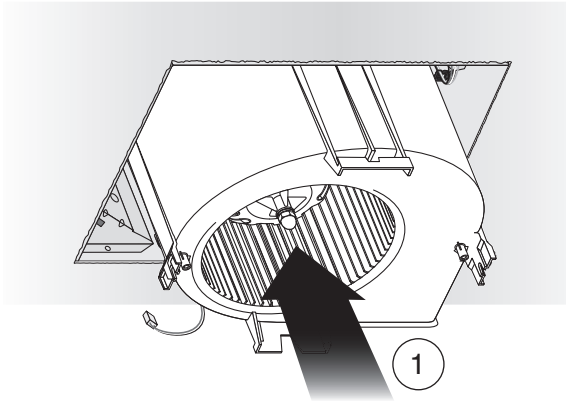
11 Install Knockout Plate, Connect Wires and Install Wiring Panel

- Use proper UL-approved connectors to secure wiring to the Knockout Plate provided in Parts Bag.
- Connect wires as shown in wiring diagram.
- Do not use a dimmer switch to operate the light.



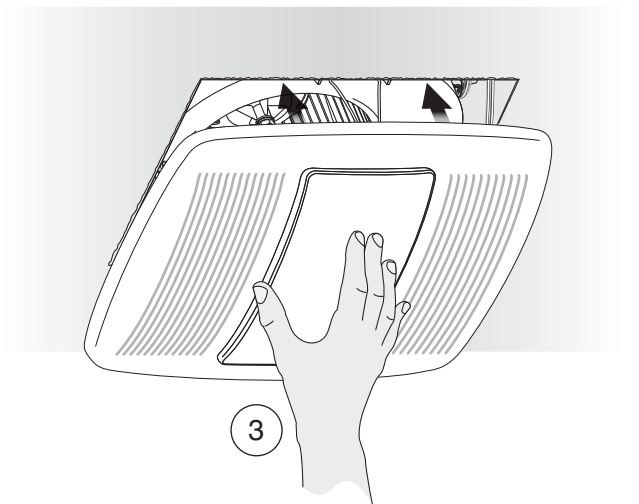
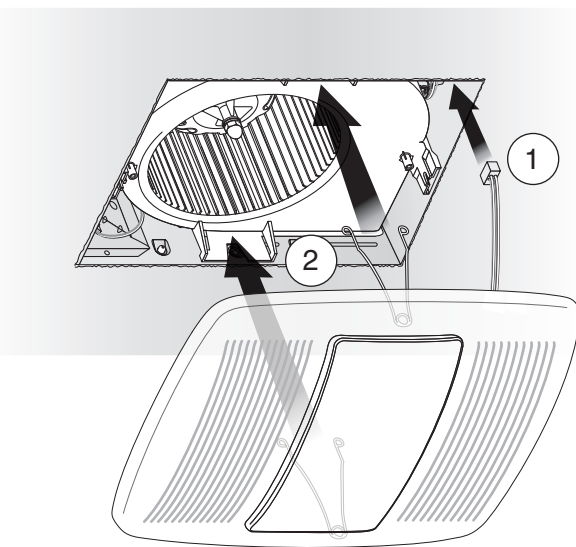
Retrofit Installation

12 Insert and Secure Blower Assembly

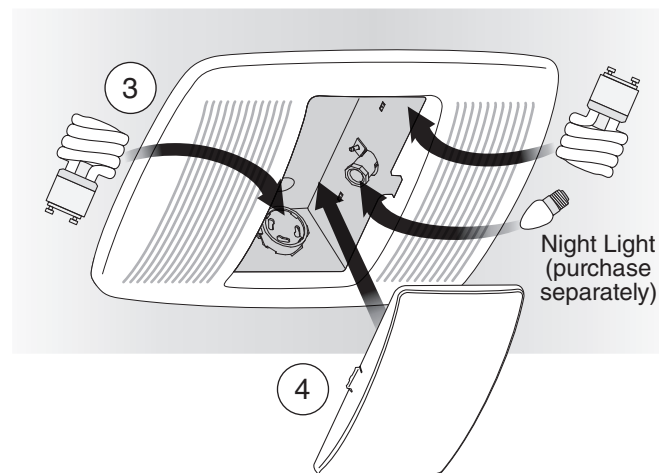
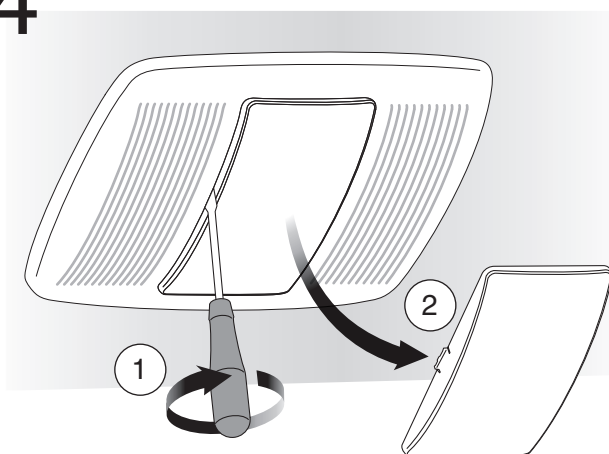


If ceiling repairs are needed, place Mask in Housing after Blower Assembly is secured. See New Construction Installation Step 6. Remove Mask before installing Grille.

13 Install Grille



14 Install Bulbs



WARNING ⚡ Before servicing or cleaning unit, switch power off at service panel and lock the service disconnecting means to prevent power from being switched on accidentally. When the service disconnecting means cannot be locked, securely fasten a prominent warning device, such as a tag, to the service panel.

Operation

To Turn Fan ON

Turn the master switch ON.

- Fan will run at the certified airflow rate if the mode select switch is ON.
- Fan will run at the user-adjustable airflow rate if the mode select switch is OFF.

To Use Fan Time Delay Airflow Rate Change

1. Turn the master switch ON.
2. Turn the mode select switch ON - fan will run at the certified airflow rate.
3. When the mode select switch is turned OFF, fan will continue to run at the certified airflow rate until the user-adjustable time delay has elapsed, and then will automatically change to the user-adjustable airflow rate.

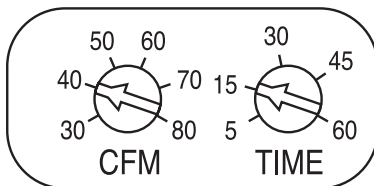
To Set the User-Adjustable Airflow Rate*

Using a small, flat-blade screwdriver, carefully rotate the CFM adjustment until the arrow points to the desired airflow rate.

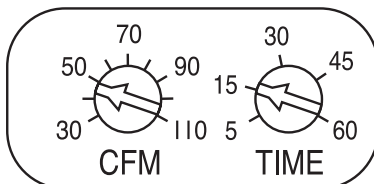
To Set the User-Adjustable Time Delay*

Using a small, flat-blade screwdriver, carefully rotate the TIME adjustment until the arrow points to the desired time delay, shown in minutes.

* The user-adjustable controls are located in one corner of the Fan Housing, behind the Grille.



ZN80L User-adjustable controls



ZN110L User-adjustable controls

To Turn Fan OFF

Turn the master switch OFF.

To Operate Lights

The light and night light can be operated independently, using separate on/off switches.

Cleaning and Maintenance

To Clean

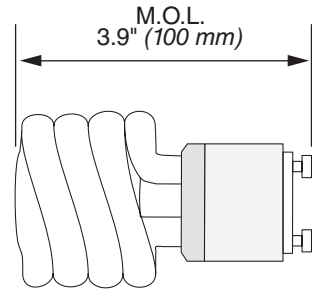
For quiet and efficient operation, long life and attractive appearance, remove Grille and vacuum interior of unit with a dusting brush attachment.

The Motor is permanently lubricated and never needs oiling. If the motor bearings are making excessive or unusual noises, replace the Control Assembly and Motor.

To Change Bulbs

Refer to Retrofit Installation Step 14 (page 11).

1. Carefully insert a small flathead screwdriver between the Grille and Lens, then twist to remove Lens.
2. Purchase two (2) 18W (max.) type GU24 fluorescent lamps with Maximum Overall Length (MOL) of 3.9" (100 mm). Purchase a 4W (max.) C7-type incandescent night light bulb.
3. Insert bulbs into their sockets. Replace Lens.



Troubleshooting

Symptom: The fan does not run.

- Check for an open fuse or circuit breaker in the building's service panel.
- Check that the two (2) plug-in connections for the Motor and the Control are seated firmly in place.
- Check that the Blower Wheel spins freely.

Symptom: The fan runs erratically.

- Check that the Blower Wheel is firmly attached to the Motor shaft and both spin freely.

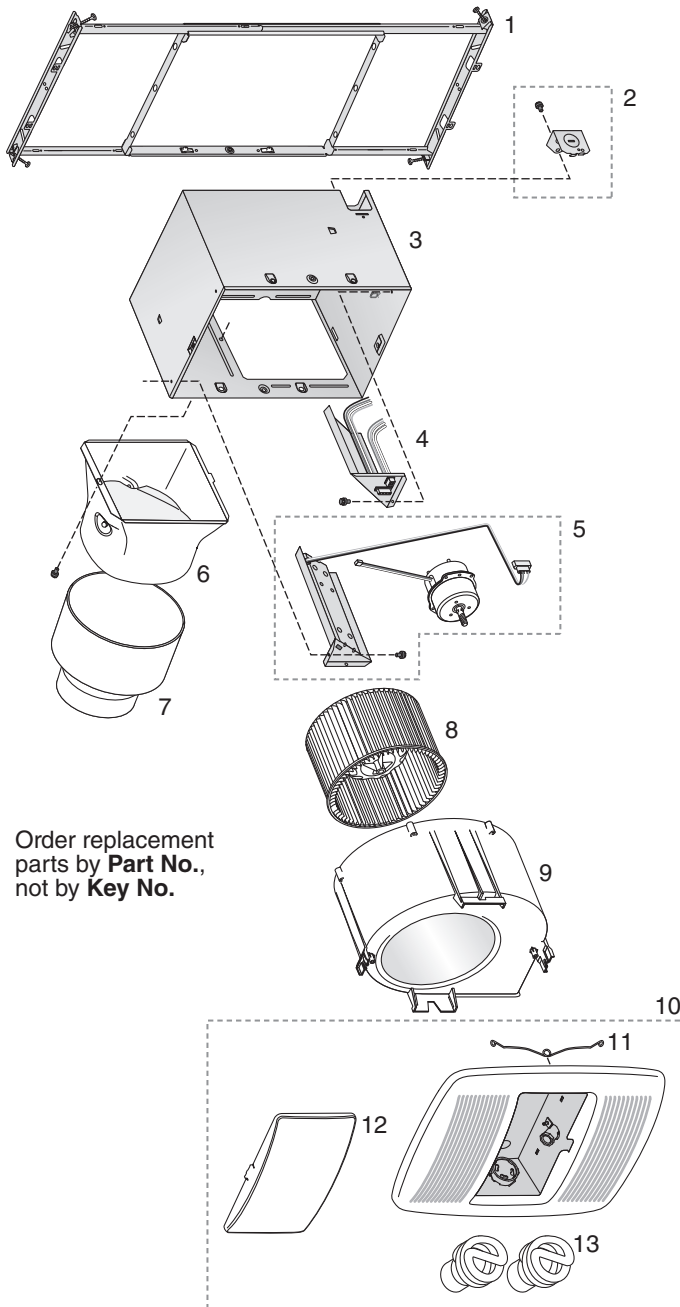
Symptom: The fan seems noisy.

- Check that the back draft damper in the fan's Duct Connector pivots freely. Screws used to attach the duct to the Duct Connector may be preventing the damper from opening.
- Check that the back draft damper in the wall or roof cap pivots freely. These dampers are sometimes mistakenly painted shut or obstructed by bird and insect debris.

Symptom: The fan does not properly ventilate the room.

- For spot ventilation, turn both the master switch and the mode select switch ON to enable the fan to run at the certified airflow rate.
- For spot ventilation followed by continuous ventilation, increase the "TIME" setting of the user-adjustable time delay.
- For continuous ventilation, increase the "CFM" setting of the user-adjustable airflow rate.

Service Parts



Order replacement parts by **Part No.**, not by **Key No.**

Key No.	Part No.	Description
1	97018349	Mounting Frame
2	97018721	Knockout Plate & Screws
3	97018382	Housing
4	97018473	Wiring Panel/Harness Assembly
5	97018758	Control Assembly & Motor (ZN80L)
	97018756	Control Assembly & Motor (ZN110L)
6	97018331	Duct Connector - 6"
7	99111513	6" to 4" Reducer (<i>model ZN80L only</i>)
8	99020301	Blower Wheel
9	97018768	Scroll Assembly
10	97018533	Grille Assembly (<i>includes 11, 12, 13</i>)
11	99140208	Grille Spring (<i>2 req'd</i>)
12	99111400	Lens
13	99271381	Bulb, GU24 18W 3500K Fluorescent (<i>2 req'd</i>)

Warranty

NuTone Ventilation Fan/Lights Limited Warranty

WARRANTY PERIOD: NuTone warrants to the original consumer purchaser of its NuTone Ventilation Fan/Light (the "Fan") that your Fan (excluding lamps/bulbs) will be materially free from defects in materials or workmanship for a period of three (3) years from the date of original purchase. The warranty on the lamps/bulbs provided with the Fan is one (1) year and does not cover lamp/bulb breakage. This warranty does not cover accessories, such as speed controls, that may be purchased separately and installed with the Fan. The limited warranty period for replacement parts, and for Fans repaired or replaced under this limited warranty, shall continue for the remainder of the original warranty period.

NO OTHER WARRANTIES: THE FOREGOING WARRANTIES ARE EXCLUSIVE AND IN LIEU OF ANY OTHER WARRANTIES, EXPRESS OR IMPLIED. NUTONE DISCLAIMS AND EXCLUDES ALL OTHER EXPRESS WARRANTIES, AND DISCLAIMS AND EXCLUDES ALL WARRANTIES IMPLIED BY LAW, INCLUDING WITHOUT LIMITATION THOSE OF MERCHANTABILITY AND FITNESS FOR A PARTICULAR PURPOSE. TO THE EXTENT THAT APPLICABLE LAW PROHIBITS THE EXCLUSION OF IMPLIED WARRANTIES, THE DURATION OF ANY APPLICABLE IMPLIED WARRANTY IS LIMITED TO THE PERIOD SPECIFIED FOR THE EXPRESS WARRANTY. Some states do not allow limitations on how long an implied warranty lasts, so the above limitation may not apply to you. Any oral or written description of the Fan is for the sole purpose of identifying it and shall not be construed as an express warranty.

REMEDY: During the applicable limited warranty period, NuTone will, at its option, provide replacement parts for, or repair or replace, without charge, any Fan or part thereof, to the extent NuTone finds it to be covered by and in breach of this limited warranty. NuTone will ship the repaired or replaced Fan or replacement parts to you at no charge. You are responsible for all costs for removal, reinstallation and shipping, insurance or other freight charges incurred in the shipment of the Fan or part to NuTone. This warranty does not cover (a) normal maintenance and service, (b) normal wear and tear, (c) any Fans or parts which have been subject to misuse, abuse, abnormal usage, negligence, accident, improper or insufficient maintenance, storage or repair (other than repair by NuTone), (d) damage caused by faulty installation, or installation or use contrary to recommendations or instructions, (e) any Fan that has been moved from its original point of installation, (f) damage caused by environmental or natural elements, (g) damage in transit, (h) natural wear of finish, (i) Fans in commercial or nonresidential use, or (j) damage caused by fire, flood or other act of God. This warranty covers only Fans sold in the United States or through U.S. distributors authorized by NuTone.

EXCLUSION OF DAMAGES: NUTONE'S OBLIGATION TO PROVIDE REPLACEMENT PARTS, OR REPAIR OR REPLACE, AT NUTONE'S OPTION, SHALL BE YOUR SOLE AND EXCLUSIVE REMEDY UNDER THIS LIMITED WARRANTY AND NUTONE'S SOLE AND EXCLUSIVE OBLIGATION. NUTONE SHALL NOT BE LIABLE FOR INCIDENTAL, INDIRECT, CONSEQUENTIAL OR SPECIAL DAMAGES ARISING OUT OF OR IN CONNECTION WITH THE FAN, ITS USE OR PERFORMANCE. Incidental damages include but are not limited to such damages as loss of time and loss of use. Consequential damages include but are not limited to the cost of repairing or replacing other property which was damaged if the Fan does not work properly.

Some states do not allow the exclusion or limitation of incidental or consequential damages, so the above limitation or exclusion may not apply to you. This warranty gives you specific legal rights, and you may also have other rights, which vary from state to state.

This warranty supersedes all prior warranties and is not transferable from the original consumer purchaser.

NUTONE SHALL NOT BE LIABLE TO YOU, OR TO ANYONE CLAIMING UNDER YOU, FOR ANY OTHER OBLIGATIONS OR LIABILITIES, INCLUDING TO, OBLIGATIONS OR LIABILITIES ARISING OUT OF BREACH OF CONTRACT OR WARRANTY, NEGLIGENCE OR OTHER TORT OR ANY THEORY OF STRICT LIABILITY, WITH RESPECT TO THE FAN OR NUTONE'S ACTS OR OMISSIONS OR OTHERWISE.

This warranty covers only replacement or repair of defective Fans or parts thereof at NuTone's main facility and does not include the cost of field service travel and living expenses.

Any assistance NuTone provides to or procures for you outside the terms, limitations or exclusions of this limited warranty will not constitute a waiver of such terms, limitations or exclusions, nor will such assistance extend or revive the warranty.

NuTone will not reimburse you for any expenses incurred by you in repairing or replacing any defective Fan, except for those incurred with NuTone's prior written permission.

HOW TO OBTAIN WARRANTY SERVICE: To qualify for warranty service, you must (a) notify NuTone at the address or telephone number stated below within seven (7) days of discovering the covered defect, (b) give the model number and part identification and (c) describe the nature of any defect in the Fan or part. At the time of requesting warranty service, you must present evidence of the original purchase date.

Broan-NuTone LLC, 926 West State Street, Hartford, WI 53027
(1-888-336-6151)
www.nutone.com

If you must send the Fan or part to NuTone, as instructed by NuTone, you must properly pack the Fan or part—NuTone is not responsible for damage in transit.

NuTone®

LEA Y CONSERVE ESTAS INSTRUCCIONES

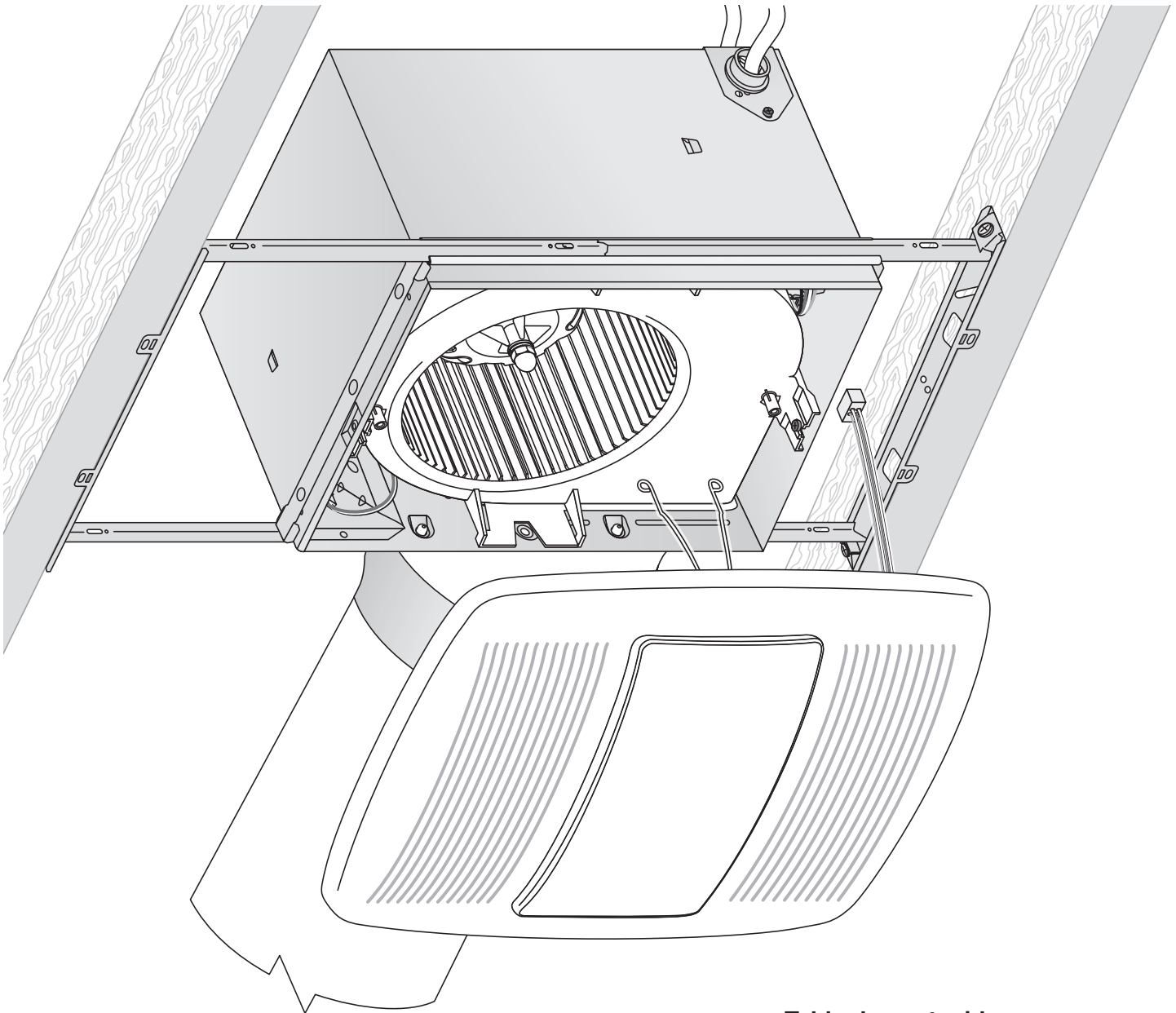
Instalador: entregue esta guía al dueño de casa.

Registre su producto en línea en el sitio www.nutone.com/register.

ZN80L ■ ZN110L

X2 | Ventilador para ventilación con distintas velocidades, con iluminación y luz nocturna

GUÍA PARA LA INSTALACIÓN



Instalación sencilla tanto en construcciones nuevas como en modernizaciones

Tabla de contenido

Advertencias y precauciones	2
Instalación típica	2
Instalación en una construcción nueva	3
Instalación en modernizaciones	7
Funcionamiento	12
Limpieza y mantenimiento	12
Identificación y solución de fallas	13
Repuestos	13
Garantía	14

ADVERTENCIA

PARA REDUCIR EL RIESGO DE INCENDIO, SHOCK ELÉCTRICO O DAÑOS A LAS PERSONAS, RESPETE LAS SIGUIENTES INSTRUCCIONES:

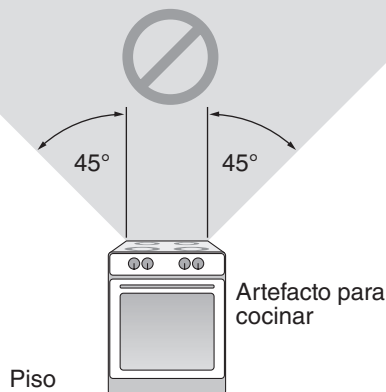
1. Utilice esta unidad sólo para el uso que describe el fabricante. Si tiene alguna pregunta, comuníquese con el fabricante a la dirección o al número de teléfono que aparece en la garantía.
2. Antes de realizar el servicio o de limpiar la unidad, corte el suministro eléctrico en el panel de servicio y bloquee el servicio desconectando los medios que evitan que se conecte la energía en forma accidental. Cuando no se puedan bloquear los medios que desconectan el servicio, coloque un dispositivo de alarma importante, como por ejemplo una etiqueta, en el panel de servicio.
3. Las tareas de instalación y el cableado eléctrico deben ser realizados por una persona/personas calificada/s según lo establecen todos los códigos y las normas aplicables, entre los que se incluyen códigos y normas para las construcciones con calificación contra incendios.
4. Se requiere suficiente aire para una correcta combustión y escape de gases a través del regulador de tiro (chimenea) del equipo que funciona a combustible para evitar contracorrientes. Siga las indicaciones del fabricante del equipo de calefacción y las normas de seguridad como las publicadas por la Asociación Nacional de Protección contra Incendios (NFPA) y la Sociedad Estadounidense de Ingenieros en Calefacción, Refrigeración y Aire Acondicionado (ASHRAE) y las autoridades locales regulatorias.
5. Al cortar o perforar las paredes o los techos, no dañe el cableado eléctrico u otros servicios que no se encuentran a la vista.
6. Los ventiladores conectados a conductos siempre deben tener ventilación hacia el exterior.
7. No utilice este ventilador con un dispositivo de control de velocidad de estado sólido.
8. La unidad sólo debe conectarse a un circuito de alimentación protegido por un interruptor de circuito para fallas con conexión a tierra (ICFT).
9. Esta unidad debe estar conectada a tierra.

PRECAUCIÓN

1. Sólo debe utilizarse para ventilación general. No utilizar para ventilar materiales y vapores peligrosos o explosivos.
2. Este producto está diseñado para instalarse en techos con una pendiente de hasta 12/12 (ángulo de 45 grados). El conector del conducto debe estar orientado hacia arriba. **NO MONTAR ESTE PRODUCTO SOBRE LA PARED.**
3. Para evitar daños en los cojinetes del motor y/o impulsores desbalanceados y ruidosos, mantenga el rociado para los paneles de yeso, el polvo de la construcción, etc., lejos de la unidad eléctrica.
4. Lea la etiqueta con las especificaciones del producto para obtener más información y conocer los requisitos.

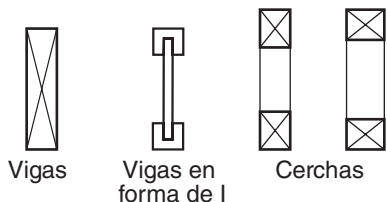
NO UTILIZAR EN UN ÁREA DONDE SE COCINA

No instalar sobre o dentro de esta área

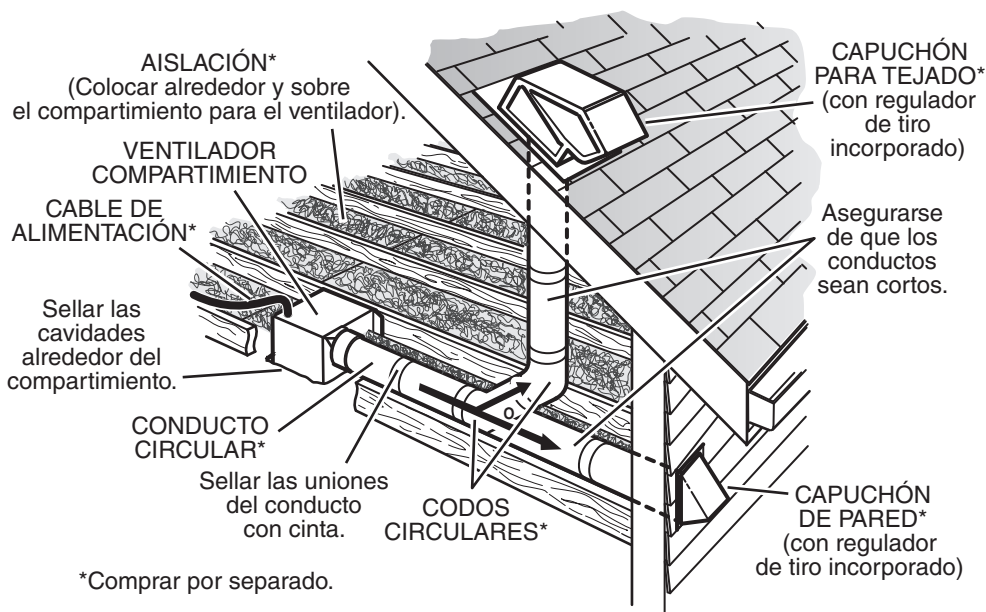


Instalación típica

- La instalación es similar para:



- Se adapta a la construcción de un techo de 5 cm x 20 cm (2 x 8 pulg.)
- Ajustar sin límite la posición del ventilador entre las vigas a una distancia de 35,5 cm a 61 cm (14 a 24 pulg.) del centro.



*Comprar por separado.

Instalación en una construcción nueva

Herramientas necesarias

- Destornillador eléctrico con punta Phillips
- Destornillador Phillips
- Destornillador de cabeza plana
- Pinza
- Pelacable para la aislación de los cables
- Pinza cortacable

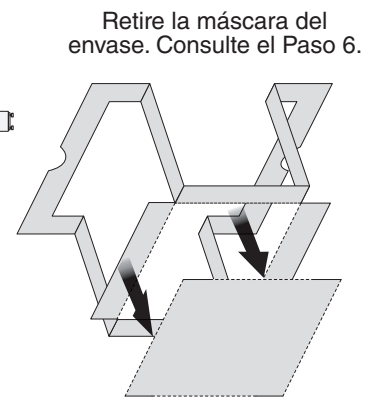
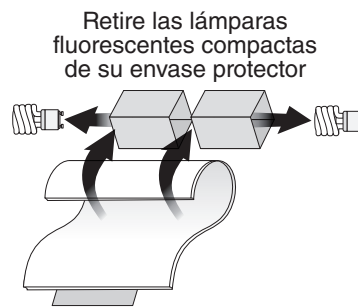
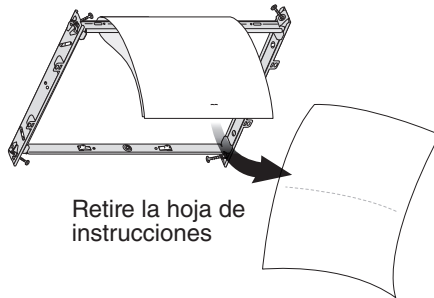
Materiales necesarios

- Conducto circular de metal de 6 pulg. recomendado para un mejor rendimiento. Se acepta el uso de otro tipo de conducto pero esto puede afectar el rendimiento.
- Capuchón para tejado o de pared (se recomienda utilizar uno con regulador de tiro incorporado)
- Cinta para sellar las conexiones de los conductos
- Cables y accesorios eléctricos en cumplimiento de la normativa local
- Lámpara nocturna tipo C7 de 4W (máx.)

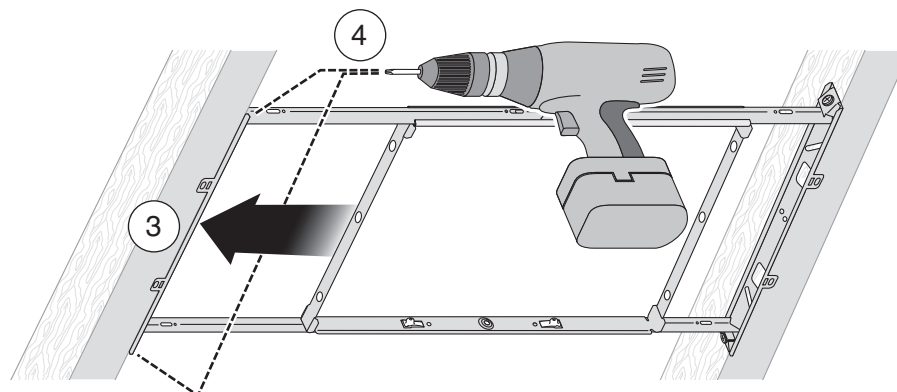
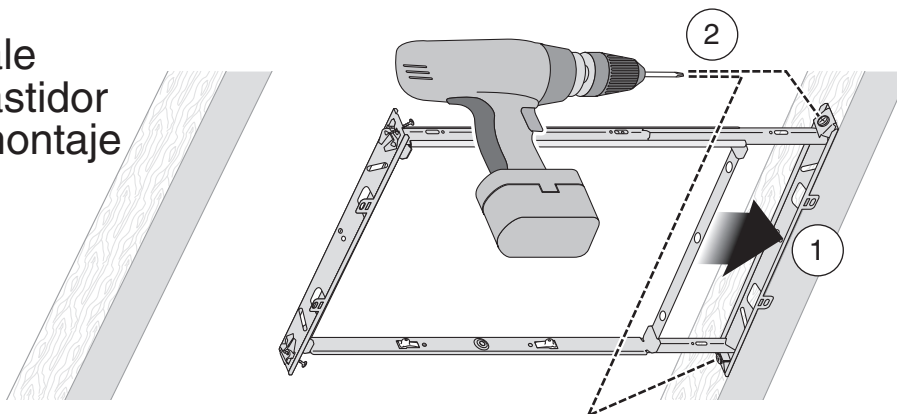
1 Retire el envase



La bolsa de las piezas contiene una placa metálica y seis (6) pernos

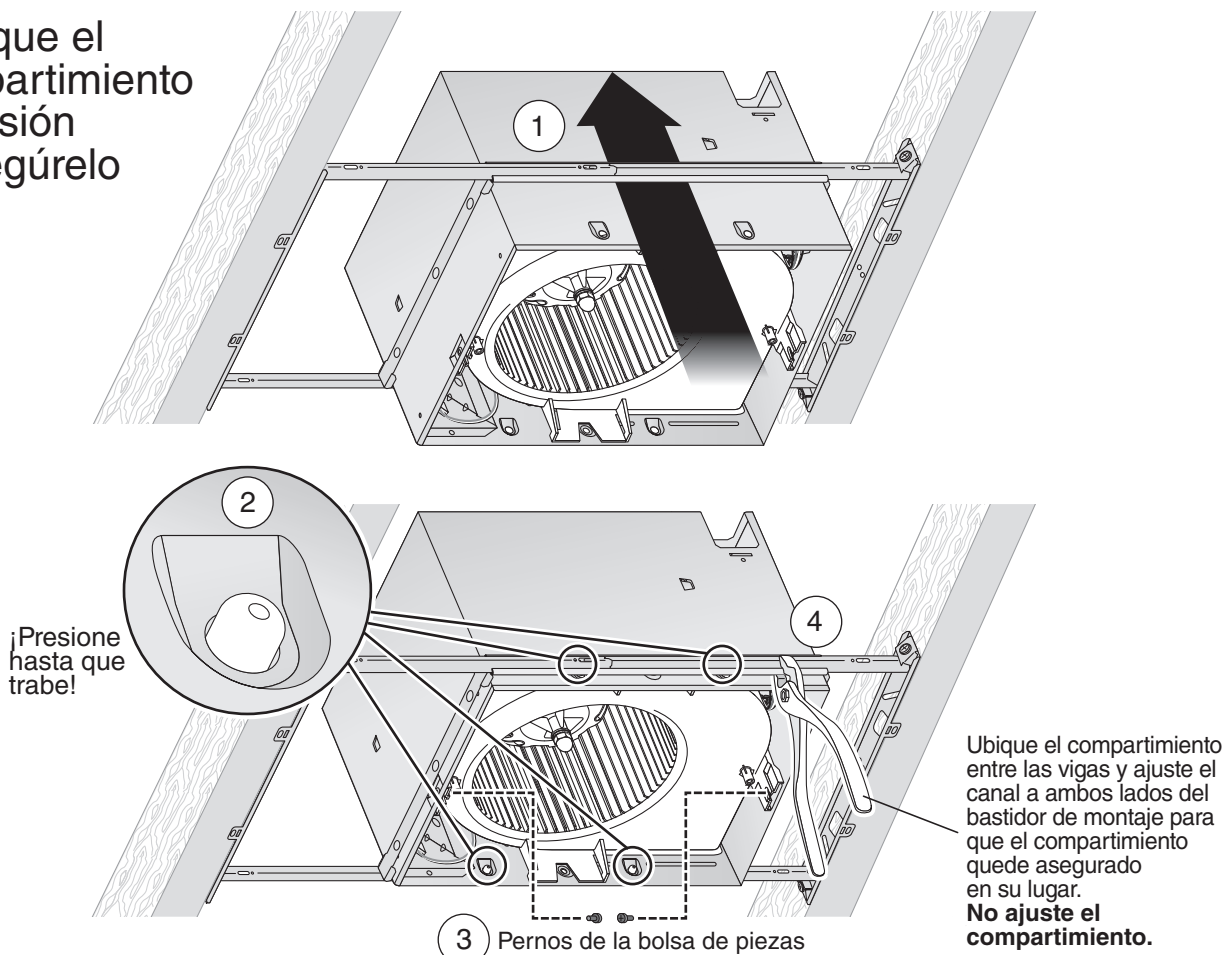


2 Instale el bastidor de montaje

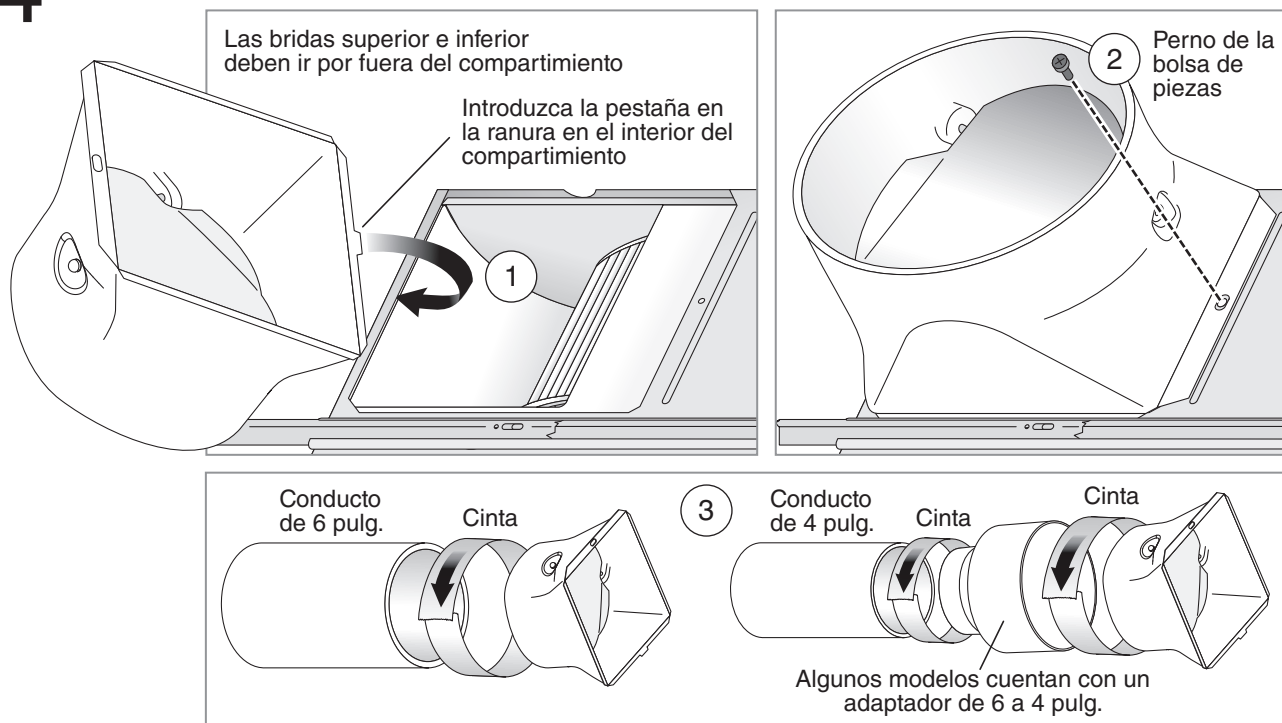


Instalación en una construcción nueva

3 Coloque el compartimento a presión y asegúrelo



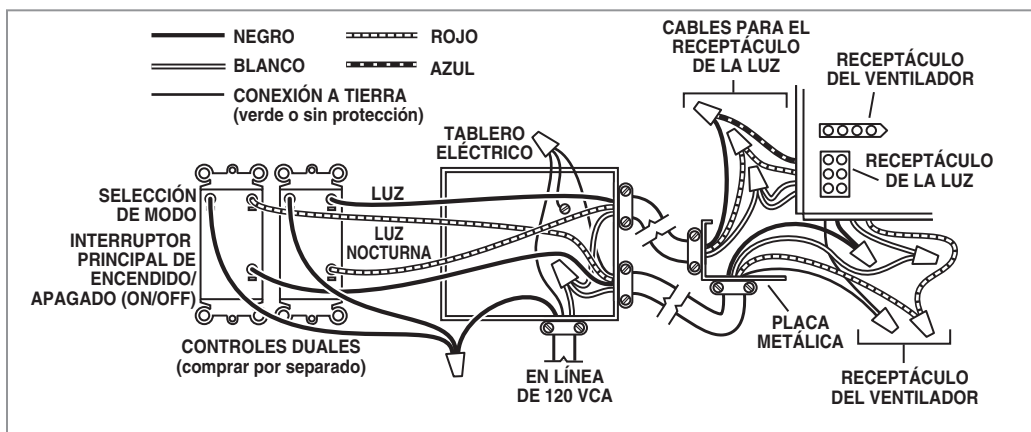
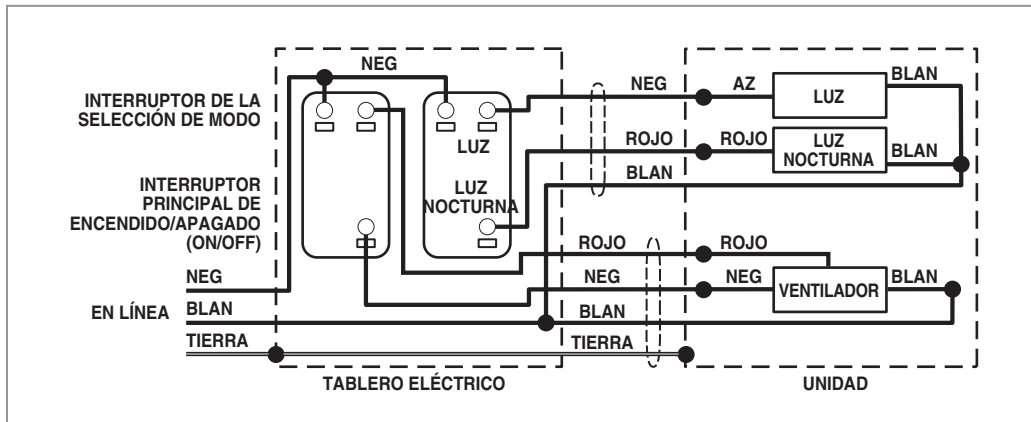
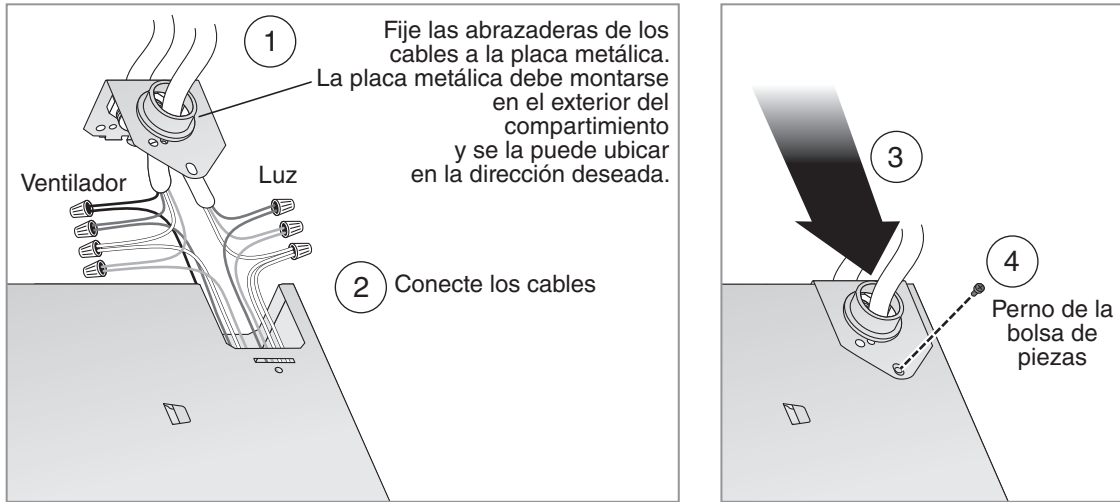
4 Fije el conector del conducto y los conductos



Instalación en una construcción nueva

5 Conecte los cables e instale la placa metálica

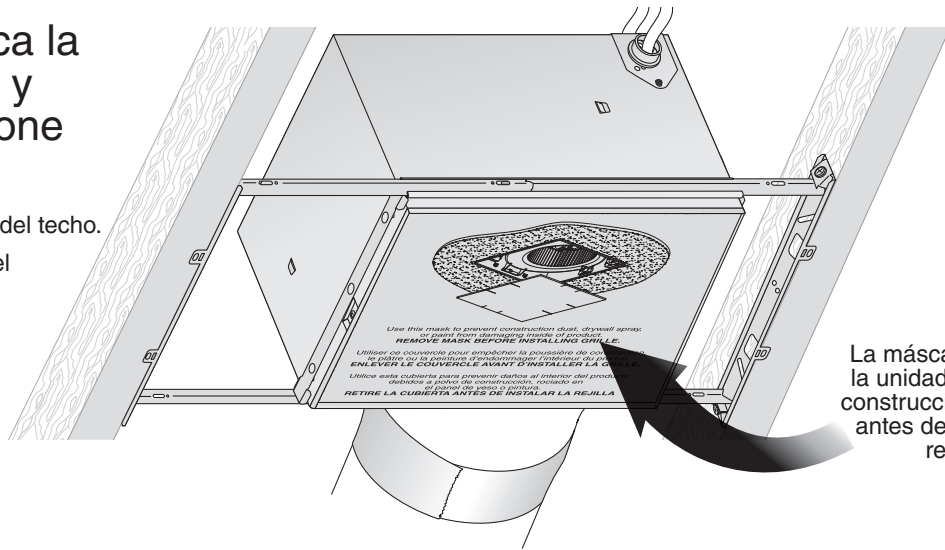
- Extienda un cableado eléctrico de 120 VCA hasta el sitio de la instalación.
- Utilice conectores aprobados por UL para asegurar el cableado hasta la placa metálica que se incluye en la bolsa de piezas.
- Conecte los cables como se muestra en el diagrama de cableado.
- No utilice un regulador de intensidad para hacer funcionar la luz.



Instalación en una construcción nueva

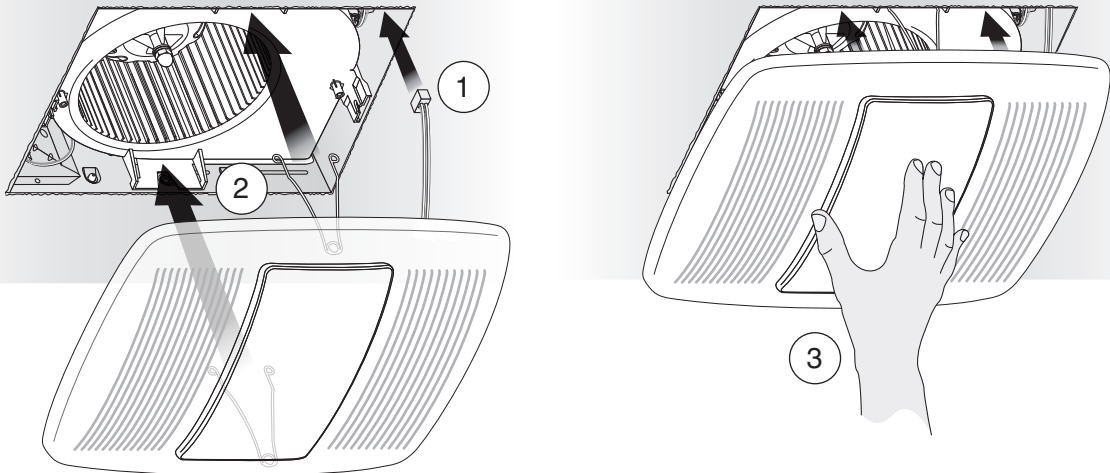
6 Introduzca la máscara y acondicione el techo

- Instale el material del techo.
- Corte alrededor del compartimiento.

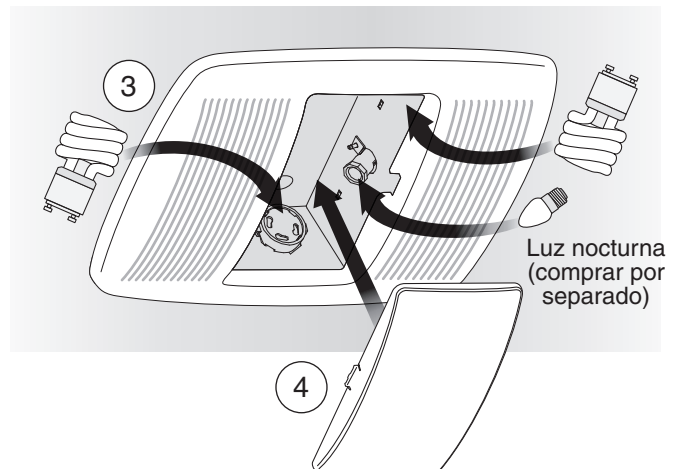
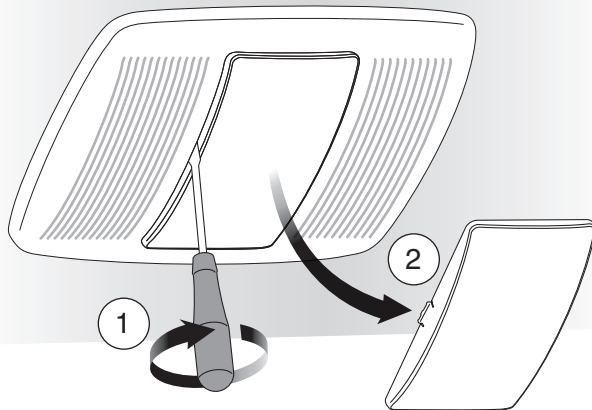


La máscara protege la unidad durante la construcción. Retírela antes de instalar la rejilla.

7 Instale la rejilla



8 Instale las lámparas



Instalación en modernizaciones

Herramientas necesarias

- Destornillador eléctrico con punta Phillips
- Destornillador Phillips
- Destornillador de cabeza plana
- Pinza
- Pelacable para la aislación de los cables
- Pinza cortacable
- Regla
- Lápiz
- Sierra para paneles de yeso
- Martillo de orejas o palanca
- Cuchillo multiuso

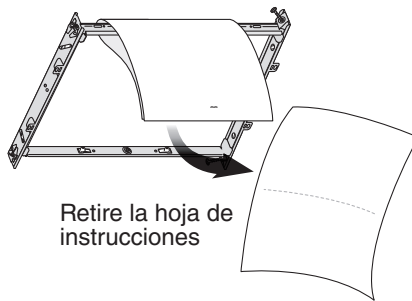
Materiales necesarios

- Cinta para sellar las conexiones de los conductos
- Los conductos rígidos existentes requerirán el agregado de tramos cortos de un conducto flexible
- Cables y accesorios eléctricos en cumplimiento de la normativa local
- Lámpara nocturna tipo C7 de 4W (máx.)

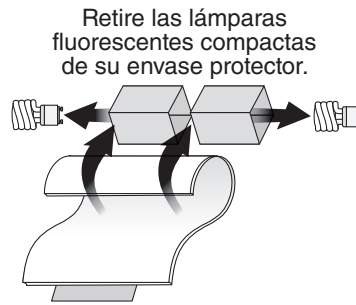
1 Retire el envase



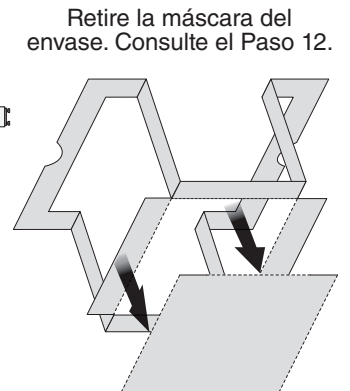
La bolsa de las piezas contiene una placa metálica y seis (6) pernos



Retire la hoja de instrucciones



Retire las lámparas fluorescentes compactas de su envase protector.



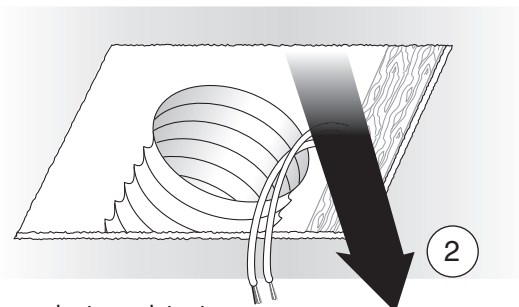
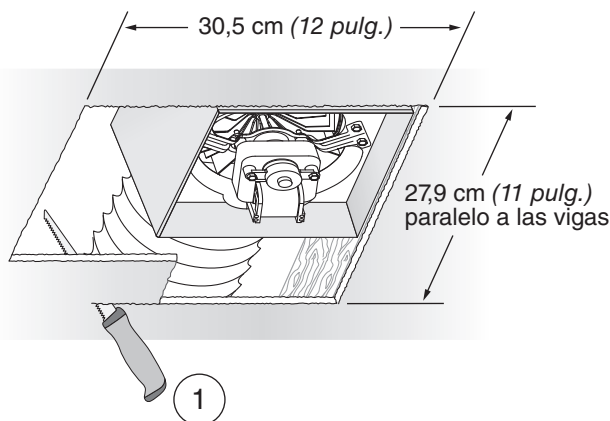
Retire la máscara del envase. Consulte el Paso 12.

2 Desconecte el suministro de energía

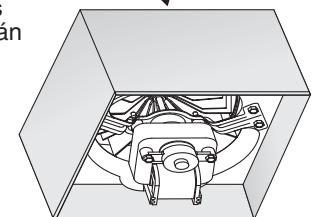
ADVERTENCIA ⚡

Antes de retirar el ventilador existente, desconecte el suministro eléctrico en el panel de servicio y bloquee el servicio desconectando los medios para evitar que se active el suministro de energía en forma accidental. Cuando no se puedan bloquear los medios que desconectan el servicio, coloque un dispositivo de alarma importante, como por ejemplo una etiqueta, en el panel de servicio.

3 Aumente la abertura del techo y retire el ventilador existente



Los conductos existentes y los cables permanecerán en su sitio

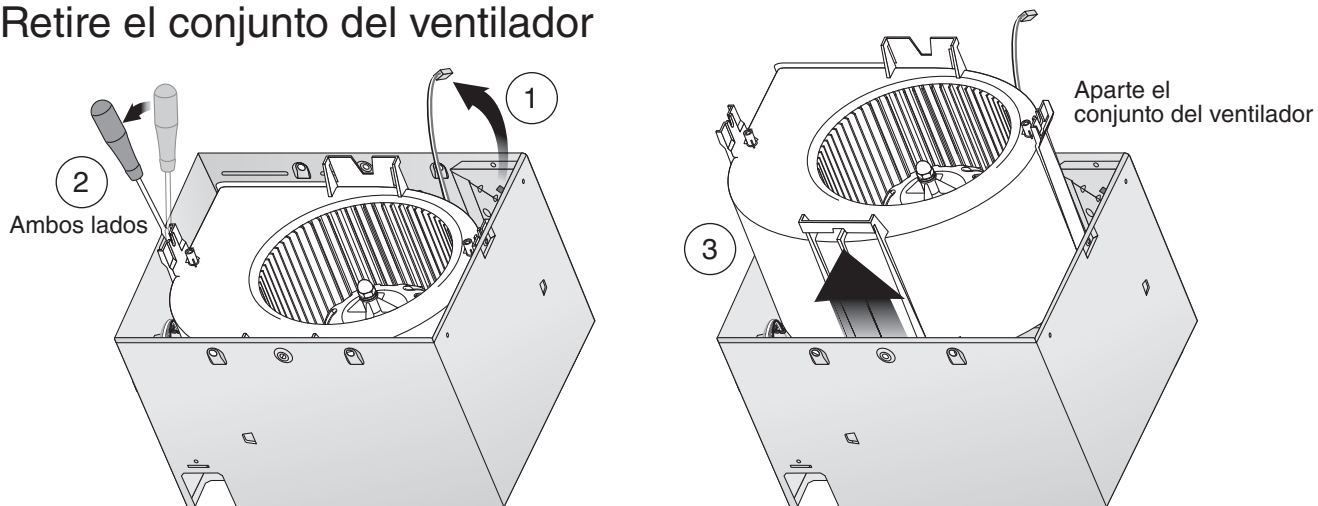


4 Verifique el cableado

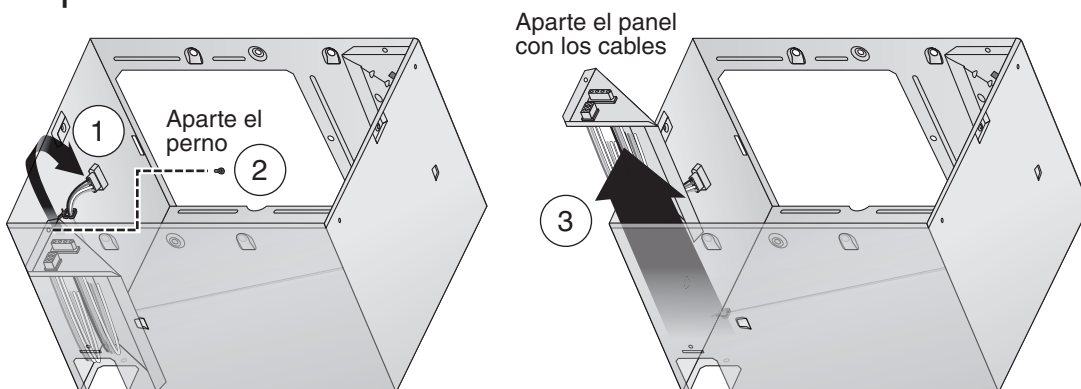
Verifique el cableado existente para asegurarse de que no esté dañado. En caso de determinar algún daño, **NO CONTINÚE CON LA INSTALACIÓN** de este producto. Comuníquese con la(s) persona(s) calificada(s) para realizar la reparación.

Instalación en modernizaciones

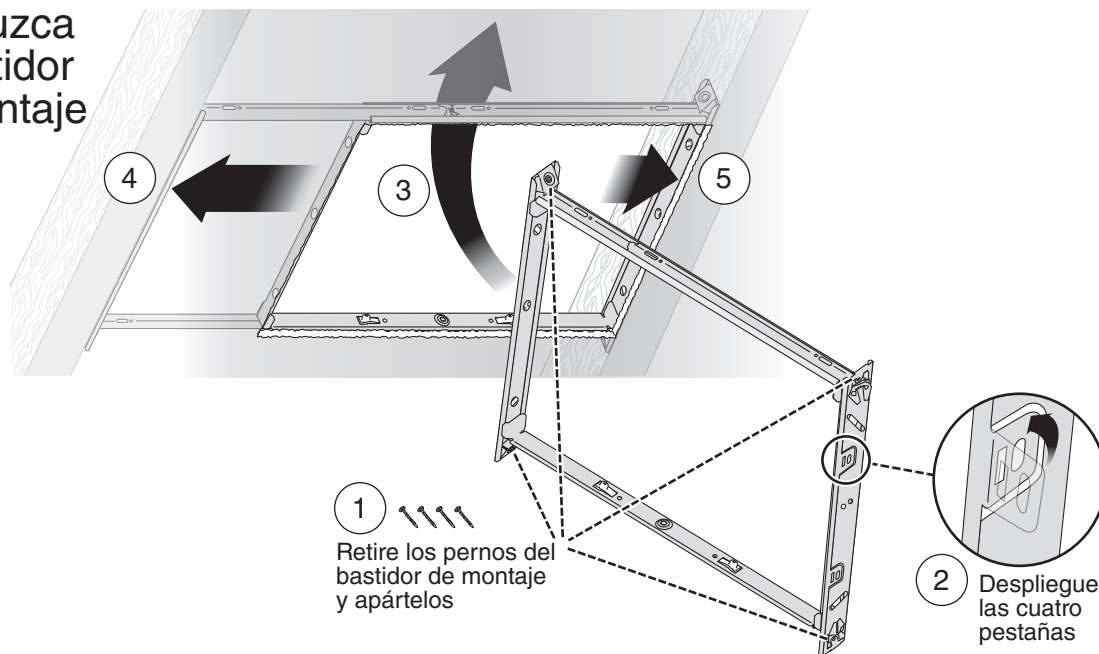
5 Retire el conjunto del ventilador



6 Retire el panel con los cables



7 Introduzca el bastidor de montaje

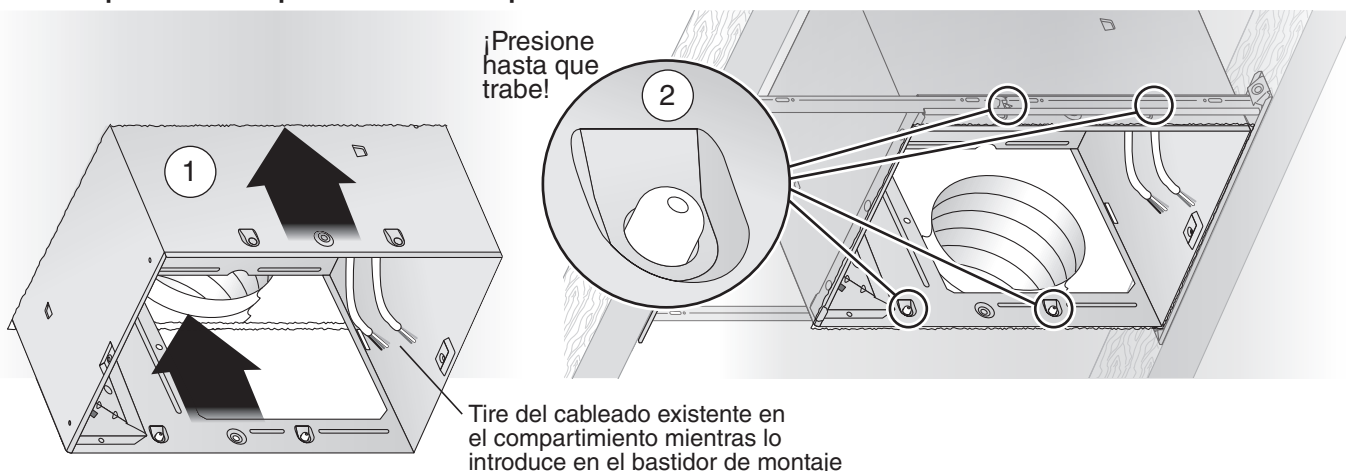


Instalación en modernizaciones

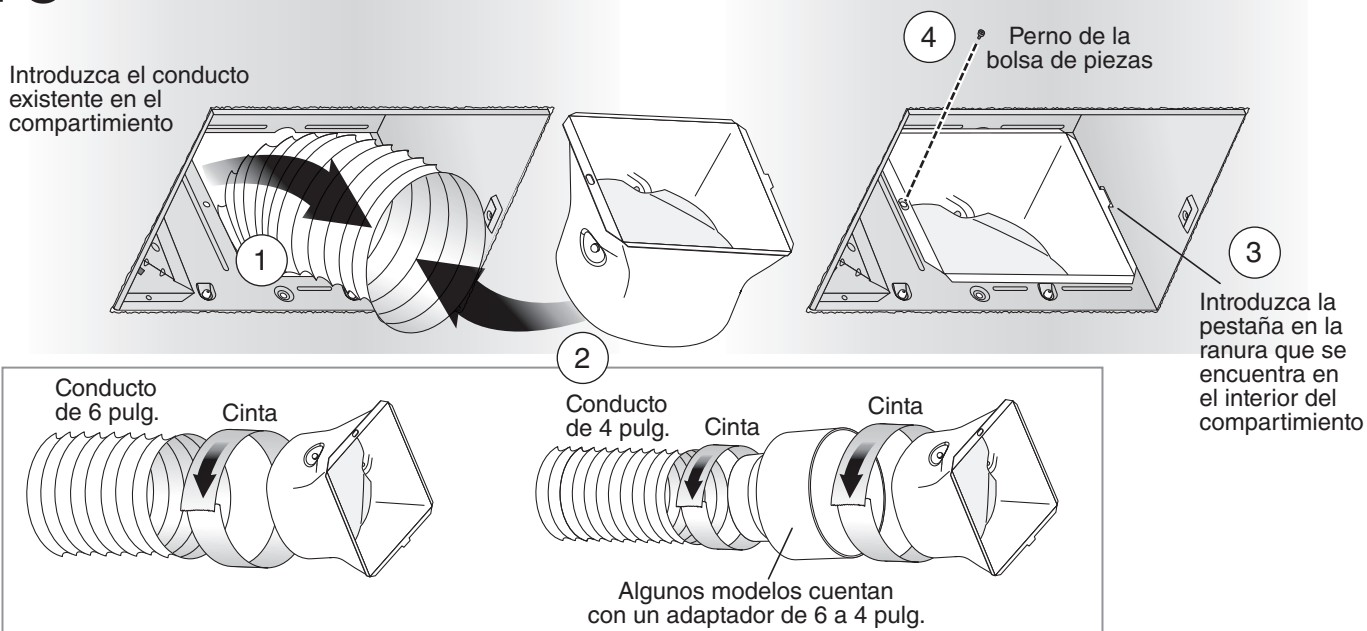
8 Asegure el bastidor de montaje



9 Coloque el compartimento a presión



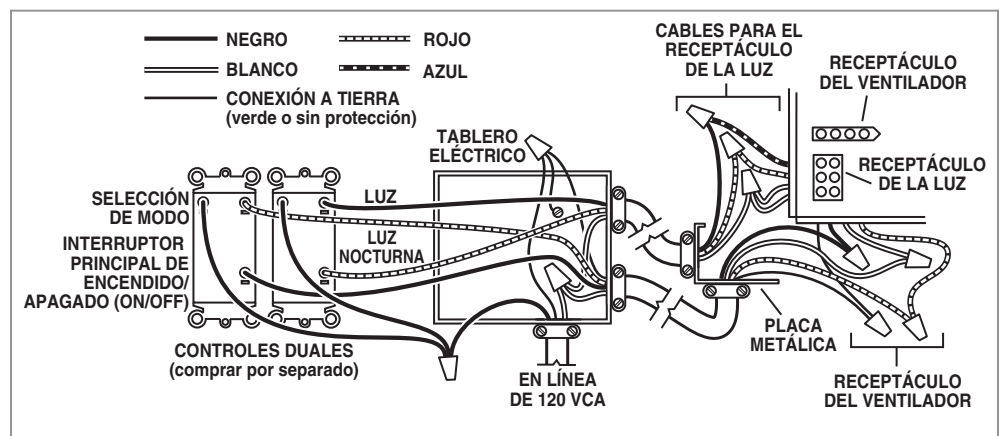
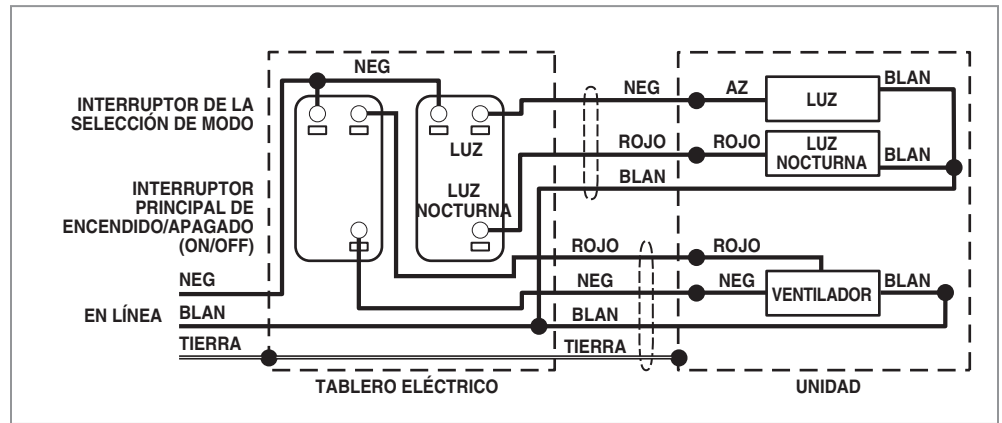
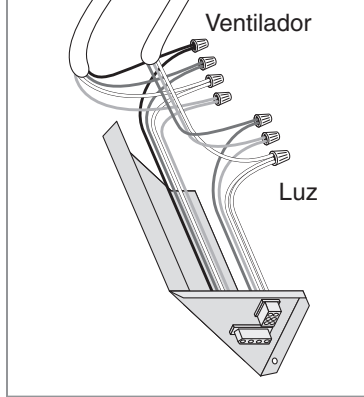
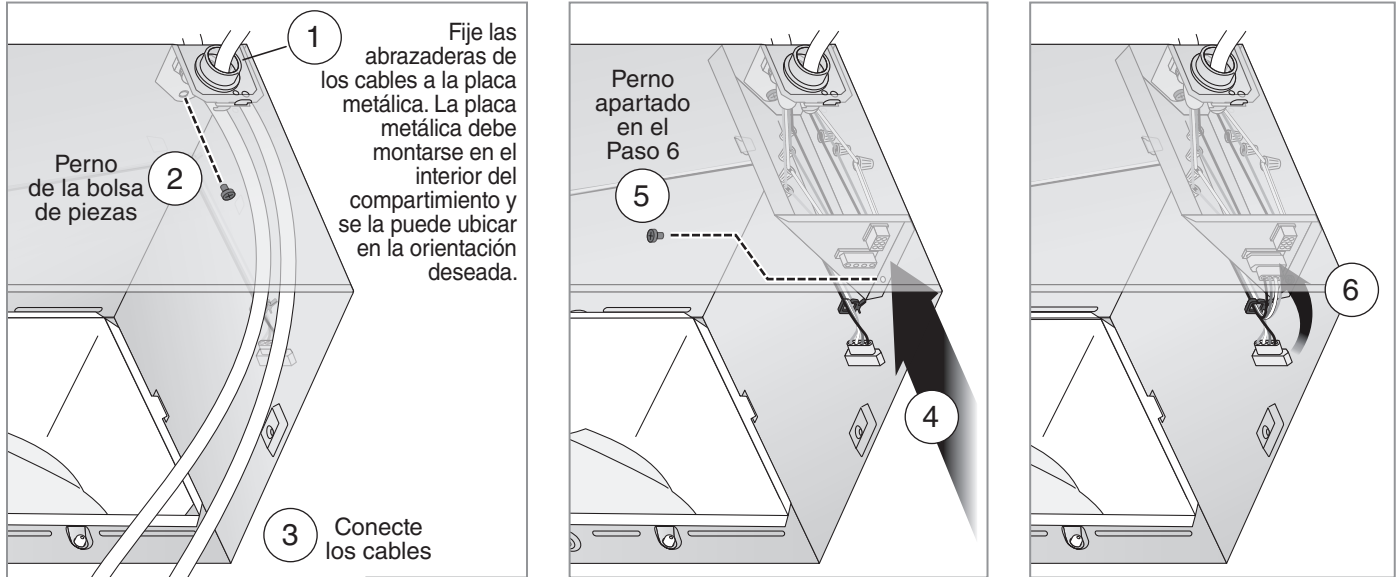
10 Fije el conector del conducto y los conductos



Instalación en modernizaciones

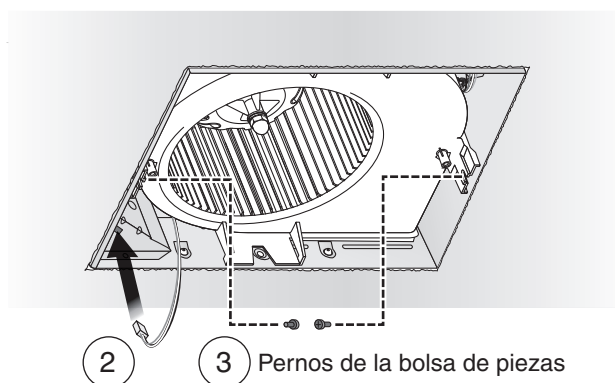
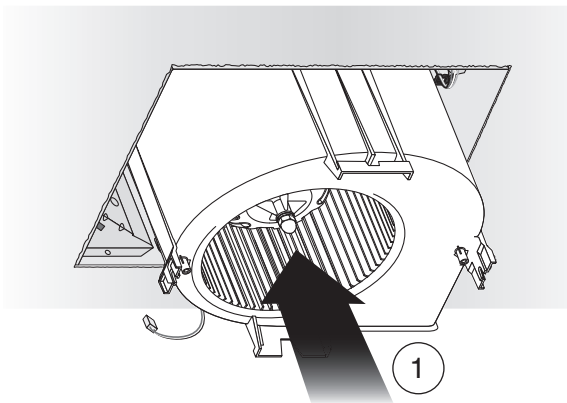
11 Instale la placa metálica, conecte los cables e instale el panel de cableado

- Utilice conectores aprobados por UL para asegurar el cableado hasta la placa metálica que se incluye en la bolsa de piezas.
- Conecte los cables como se muestra en el diagrama de cableado.
- No utilice un regulador de intensidad para hacer funcionar la luz.



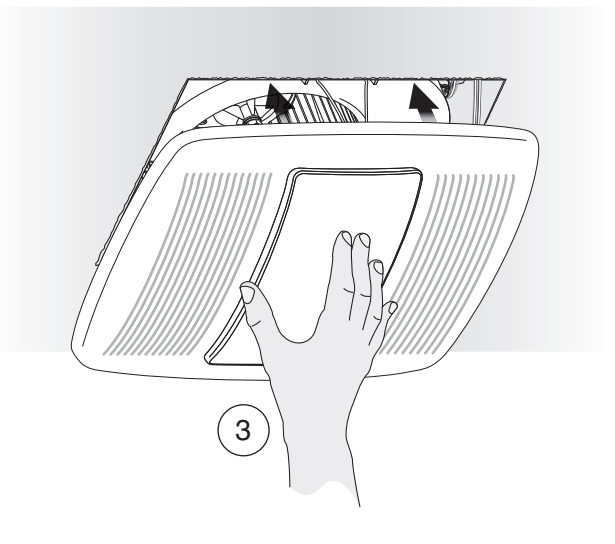
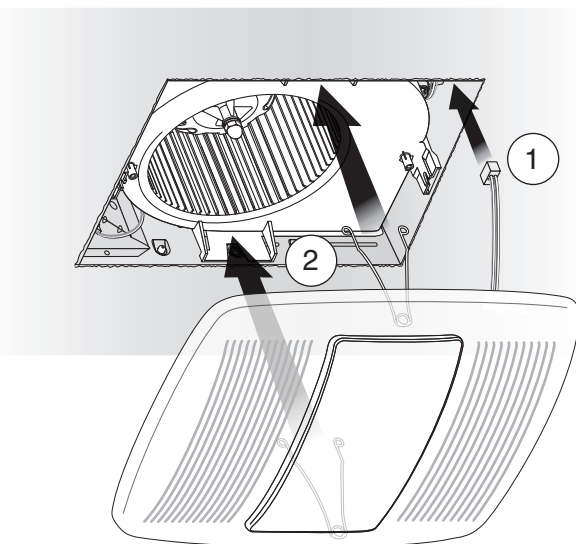
Instalación en modernizaciones

12 Introduzca y asegure el conjunto del ventilador

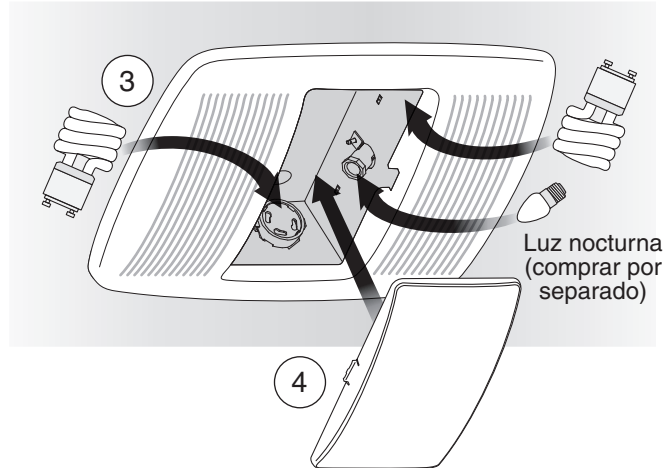
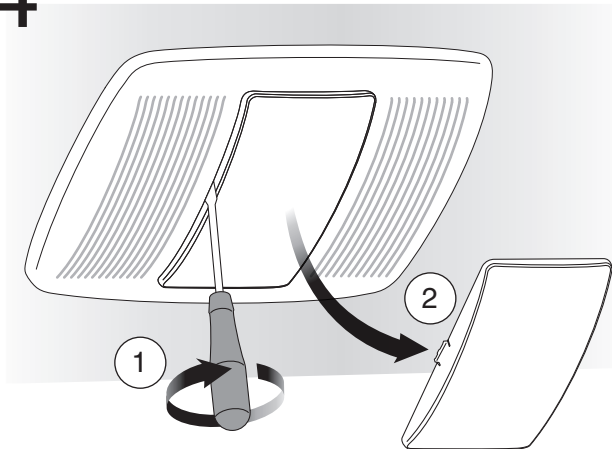


Si fuera necesario efectuar reparaciones en el techo, coloque la máscara en el compartimiento después de asegurar el conjunto del ventilador. Consulte el Paso 6 de Instalación en una construcción nueva. Retire la máscara antes de instalar la rejilla.

13 Instale la rejilla



14 Instale las lámparas



ADVERTENCIA ⚡ Antes de realizar el servicio o de limpiar la unidad, corte el suministro eléctrico en el panel de servicio y bloquee el servicio desconectando los medios que evitan que se conecte la energía en forma accidental. Cuando no se puedan bloquear los medios que desconectan el servicio, coloque un dispositivo de alarma importante, como por ejemplo una etiqueta, en el panel de servicio.

Funcionamiento

Encendido del ventilador

Encienda el interruptor principal.

- El ventilador comenzará a funcionar al índice de caudal de aire certificado, si el interruptor selector de modo se encuentra activado.
- El ventilador comenzará a funcionar al índice de caudal de aire ajustable por el usuario, si el interruptor selector de modo se encuentra desactivado.

Para utilizar el cambio en el índice de caudal de aire en el retardo del tiempo del ventilador

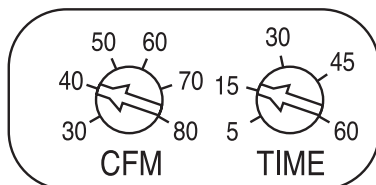
1. Encienda el interruptor principal.
2. Accione el interruptor selector de modo: el ventilador funcionará al índice de caudal de aire certificado.
3. Una vez desactivado el interruptor selector de modo, el ventilador seguirá funcionando al índice de caudal de aire certificado hasta que haya transcurrido el retardo del tiempo ajustable por el usuario y luego cambiará en forma automática al índice del caudal de aire ajustable por el usuario.

Determinación del índice del caudal de aire ajustable por el usuario*

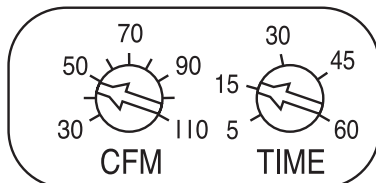
Utilizando un destornillador pequeño de punta plana, haga girar con cuidado el ajuste de pies cúbicos por minuto (CFM) hasta que la flecha indique el índice del caudal de aire deseado.

Determinación del retardo del tiempo ajustable por el usuario*

Utilizando un destornillador pequeño de punta plana, haga girar con cuidado el ajuste del tiempo (TIME) hasta



Controles ZN80L ajustables por el usuario



Controles ZN110L ajustables por el usuario

que la flecha indique el retardo de tiempo deseado, que se mostrará en minutos.

* Los controles ajustables por el usuario están ubicados en una de las esquinas del compartimiento del ventilador, detrás de la rejilla.

Desconexión del ventilador

Desconecte el interruptor principal.

Funcionamiento de las luces

Es posible hacer funcionar la iluminación y la luz nocturna en forma independiente mediante los interruptores de encendido/apagado.

Limpieza y mantenimiento

Limpieza

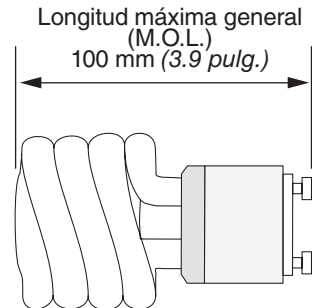
Para un funcionamiento silencioso y eficiente, una vida útil prolongada y una atractiva apariencia, retire la rejilla y aspire el interior de la unidad con un accesorio en forma de cepillo para eliminar el polvo.

El motor siempre permanecerá lubricado y no será necesario lubricarlo. Si los cojinetes del motor producen demasiado ruido o ruidos inusuales, reemplace el conjunto del control y el motor.

Cambio de lámparas

Consulte el Paso 14 para la Instalación en modernizaciones (página 11).

1. Con cuidado, introduzca un pequeño destornillador de cabeza plana entre la rejilla y la lente, luego gire para retirar la lente.
2. Compre dos (2) lámparas fluorescentes tipo GU24 de 18W (máx.), con una longitud máxima general (MOL) de 100 mm (3,9 pulg.). Compre una lámpara incandescente nocturna tipo C7 de 4W (máx.)
3. Coloque las lámparas en sus adaptadores. Vuelva a colocar la lente.



Identificación y solución de fallas

Síntoma: El ventilador no funciona.

- Verifique la presencia de un fusible o interruptor abierto en el panel de servicios del edificio.
- Verifique que las dos (2) conexiones del motor y del control estén bien unidas.
- Verifique que el ventilador centrífugo gire libremente.

Síntoma: El ventilador funciona en forma errática.

- Verifique que el ventilador centrífugo esté fijo al eje del motor y que ambos giren libremente.

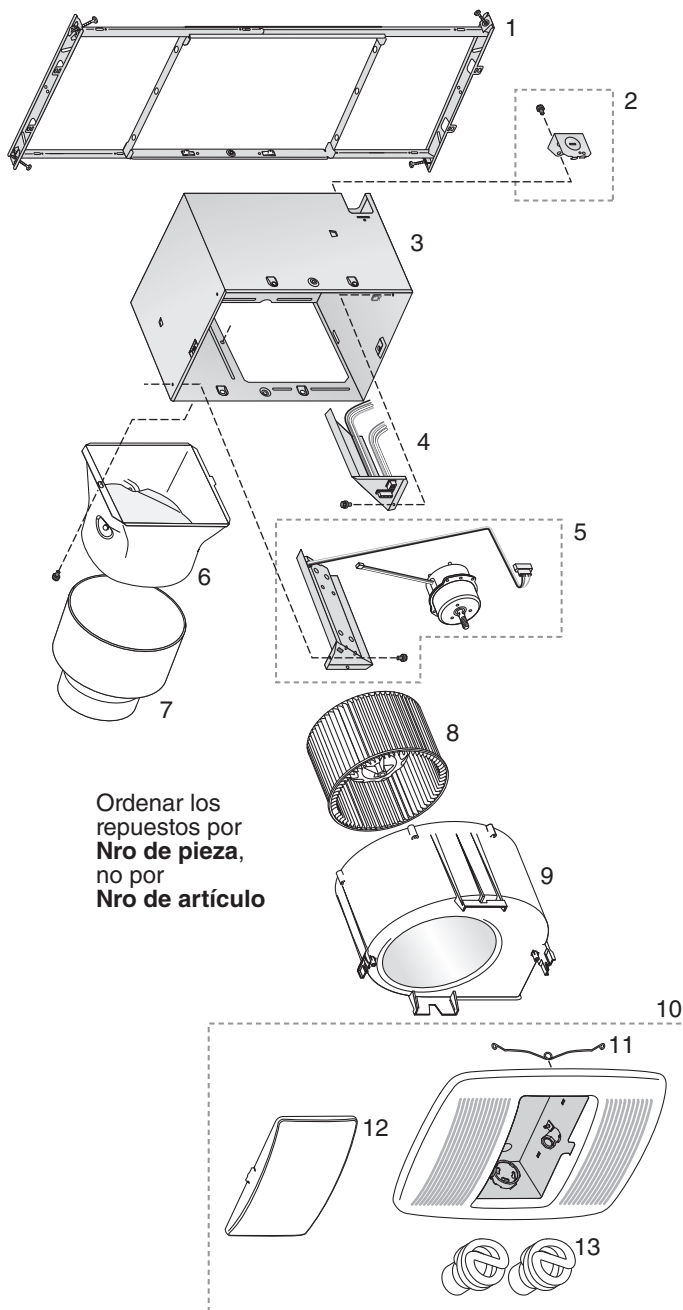
Síntoma: El ventilador genera ruidos.

- Verifique que el regulador de tiro para la contracorriente en el conector del conducto del ventilador gire libremente. Los pernos que se utilizan para fijar el conducto al conector del conducto pueden estar evitando que se abra el regulador de tiro.
- Verifique que el regulador de tiro para la contracorriente en el capuchón de la pared o del tejado gire libremente. A menudo, estos reguladores se pintan por error y se cierran o se obstruyen por los residuos de aves e insectos.

Síntoma: El ventilador no ventila el ambiente en forma correcta.

- Para ventilar el sitio, encienda el interruptor principal y el interruptor selector de modo para permitir que el ventilador funcione al índice de caudal de aire certificado.
- Para ventilar el sitio después de la ventilación continua, aumente la configuración del tiempo del retardo del tiempo ajustable por el usuario.
- Para la ventilación continua, aumente el ajuste de pies cúbicos por minuto del índice de caudal de aire ajustable por el usuario.

Repuestos



Ordenar los repuestos por **Nro de pieza**, no por **Nro de artículo**

Nro de artículo	Nro de pieza	Descripción
1	97018349	Bastidor de montaje
2	97018721	Placa metálica y pernos
3	97018382	Compartimiento
4	97018473	Conjunto de panel de cableado/arnés
5	97018758	Montaje de control y motor (ZN80L)
	97018756	Conjunto de control y motor (ZN110L)
6	97018331	Conector del conducto - 6 pulg.
7	99111513	Adaptador de 6 a 4 pulg. (sólo en la modelo ZN80L)
8	99020301	Ventilador centrífugo
9	97018768	Conjunto de desplazamiento
10	97018533	Conjunto de la rejilla (incluye 11, 12, 13)
11	99140208	Resorte de la rejilla (se requieren 2)
12	99111400	Lente
13	99271381	Lámpara, fluorescente, GU24 de 18W, 3500K (se requieren 2)

Garantía

Garantía limitada para las luces/ventilador para ventilación NuTone

PERÍODO DE LA GARANTÍA: NuTone le garantiza al comprador consumidor original de su luz/ventilador para ventilación NuTone (el "Ventilador") que su ventilador (a excepción de lámparas/lamparillas) no presentará defectos de material o de mano de obra durante un período de tres (3) años a partir de la fecha de la compra original. La garantía para las lámparas/lamparillas que vienen con el Ventilador es de un (1) año y no cubre la rotura de las mismas. Esta garantía no cubre accesorios tales como controles de velocidad que pueden adquirirse por separado y que se instalan con el Ventilador.

El período de garantía limitada para los repuestos y para los Ventiladores reparados o reemplazados bajo esta garantía limitada continuará durante el período restante de la garantía original.

AUSENCIA DE OTRAS GARANTÍAS: LAS SIGUIENTES GARANTÍAS SON EXCLUSIVAS Y SE RELACIONAN CON TODA OTRA GARANTÍA EXPRESA O IMPLÍCITA. NUTONE RENUNCIA Y EXCLUYE TODA OTRA GARANTÍA EXPRESA Y RENUNCIA Y EXCLUYE TODA GARANTÍA QUE EXIJA LA LEY, INCLUYENDO PERO NO LIMITÁNDOSE A AQUELLAS RELACIONADAS CON LA COMERCIABILIDAD Y LA APTITUD PARA UN FIN EN PARTICULAR. EN TANTO LA LEY CORRESPONDIENTE PROHIBA LA EXCLUSIÓN DE LAS GARANTÍAS IMPLÍCITAS, LA DURACIÓN DE TODA GARANTÍA IMPLÍCITA APLICABLE SE LIMITA AL PERÍODO ESPECIFICADO PARA LA GARANTÍA EXPRESA. Algunos estados no permiten limitaciones sobre cuál es la duración de una garantía implícita, de modo que la limitación antes mencionada puede no aplicarse a su caso. Toda descripción escrita u oral del Ventilador es al sólo fin de identificarlo y no deberá tomarse como una garantía expresa.

COMPENSACIÓN: Durante el transcurso del período aplicable de la garantía limitada, NuTone, a su discreción, proporcionará repuestos, reparación o reemplazo, en forma gratuita, para cualquier Ventilador o alguna de sus piezas, en tanto NuTone considere que está cubierto por y en violación de esta garantía limitada. NuTone le enviará el Ventilador reparado o su reemplazo o los repuestos en forma gratuita. Usted es responsable de los costos de retiro, reinstalación y envío, seguros y otros cargos por flete que se generen durante el transporte del Ventilador o del repuesto a NuTone. Esta garantía no cubre (a) el mantenimiento y el servicio normales, (b) el desgaste normal, (c) todo Ventilador o repuesto sometido a mal uso, abuso, uso anormal, negligencia, accidente, mantenimiento inadecuado o insuficiente, conservación o reparación (que no sea la reparación realizada por NuTone), (d) daños provocados por instalación defectuosa o instalación o uso contrario a las recomendaciones o instrucciones, (e) todo Ventilador que se haya trasladado del punto original de instalación, (f) daño provocado por elementos naturales o ambientales, (g) daño durante el transporte, (h) desgaste natural del acabado, (i) Ventiladores en uso comercial o no residencial o (j) daño provocado por incendio, inundación u otro caso fortuito. Esta garantía cubre sólo a los Ventiladores que se venden en los Estados Unidos o a través de representantes de los Estados Unidos autorizados por NuTone.

EXCLUSIÓN DE DAÑOS: LA OBLIGACIÓN DE NUTONE DE PROPORCIONAR REPUESTOS O LA REPARACIÓN O EL REEMPLAZO, A DISCRECIÓN DE NUTONE, SERÁ LA ÚNICA Y EXCLUSIVA COMPENSACIÓN BAJO EL AMPARO DE ESTA GARANTÍA LIMITADA Y LA ÚNICA Y EXCLUSIVA OBLIGACIÓN DE NUTONE. NUTONE NO SERÁ RESPONSABLE DE DAÑOS INCIDENTALES, INDIRECTOS, EMERGENTES O ESPECIALES QUE SURJAN DE O EN CONEXIÓN CON EL VENTILADOR, SU USO O FUNCIONAMIENTO. Los daños incidentales incluyen, pero no se limitan a, daños tales como pérdida de tiempo o pérdida del uso. Los daños emergentes incluyen pero no se limitan al costo de la reparación o reemplazo de otra propiedad que haya sufrido daños en caso del malfuncionamiento del Ventilador.

Algunos estados no permiten la exclusión o la limitación de los daños incidentales o emergentes, de modo que la limitación o la inclusión antes mencionada puede no aplicarse a su caso. Esta garantía le otorga derechos legales específicos y usted también podrá gozar de otros derechos que varían según el estado. Esta garantía reemplaza a todas las garantías anteriores y no es transferible por el comprador consumidor original.

NUTONE NO SERÁ RESPONSABLE ANTE USTED, O ANTE CUALQUIER PERSONA QUE RECLAME EN SU NOMBRE, DE NINGUNA OTRA OBLIGACIÓN O RESPONSABILIDAD, QUE INCLUYE, PERO NO SE LIMITA A, LAS OBLIGACIONES O RESPONSABILIDADES QUE SURJAN DE LA VIOLACIÓN DEL CONTRATO O DE LA GARANTÍA, NEGLIGENCIA U OTRO AGRAVIO O CUALQUIER TEORÍA SOBRE LA RESPONSABILIDAD ESTRUCTA, CON RESPECTO AL VENTILADOR O A LOS ACTOS U OMISIONES U OTROS POR PARTE DE NUTONE.

Esta garantía cubre sólo el reemplazo o la reparación de los Ventiladores o piezas con defectos del mismo en la plana principal de NuTone y no incluye los costos del transporte del servicio en campo ni los gastos de estadía.

Toda asistencia que NuTone le brinde o procure fuera de los términos, las limitaciones o las exclusiones de esta garantía limitada no constituirá una renuncia a dichos términos, limitaciones o exclusiones ni dicha asistencia extenderá o revivirá la garantía.

NuTone no le reembolsará ningún gasto en el que usted incurra en la reparación o reemplazo de cualquier Ventilador defectuoso excepto por aquellos en los que incurra previo a la obtención del permiso por escrito de NuTone.

CÓMO OBTENER EL SERVICIO DE LA GARANTÍA: Para calificar para el servicio de garantía, usted debe (a) notificar a NuTone el domicilio o el número de teléfono que figura a continuación dentro de los siete (7) días de haber descubierto el defecto cubierto, (b) brindar el número de modelo y la identificación de la pieza y (c) describir la naturaleza de cualquier defecto del Ventilador o de la pieza. A la hora de solicitar el servicio de garantía, usted debe presentar prueba de la fecha original de la compra.

Broan-NuTone LLC, 926 West State Street, Hartford, WI 53027
(1-888-336-6151)

www.nutone.com

Si usted debe enviar el Ventilador o la pieza a NuTone, según las indicaciones de NuTone, debe embalar el Ventilador o la pieza en forma adecuada. NuTone no es responsable de los daños ocasionados durante el transporte.