

NuTone's WhispAire™ range hood has a patented air chamber design that significantly reduces noise up to 40 percent over comparable, conventional hoods.

## DESCRIPTION

- Three (3) ducting options:
  - 3¼" x 10", horizontal or vertical discharge
  - 7" round, vertical discharge
  - Non-ducted, using WA65F filter (sold separately)
- Infinite, rotary speed control offers quiet fan operation
- Rotary light control
- Two, 40W, Type A-15 appliance bulbs provide bright cooktop lighting (bulbs not included)
- Translucent, polymeric light lens - easily removed for relamping
- Convenient night-light
- Thermally-protected, plug-in motor
- Electronically-balanced, polymeric fan blade
- Washable, aluminum mesh grease filter
- Optional non-ducted filter (WA65F) for particulate and odor removal
- Keyhole mounting slots for easy installation
- Available in 30", 36", or 42" widths
- Powder-coated, baked enamel finishes in White, Almond, Biscuit, and Black, as well as Stainless Steel construction
- UL Listed

## SPECIFICATIONS

VOLTS	HZ.	AMPS	CFM	SONES	DUCT
120	60	1.7	170	4.5	3¼" x 10" (H)
120	60	1.7	200	4.5	3¼" x 10" (V)
120	60	1.7	220	4.5	7" Round (V)

## MODEL NUMBERS

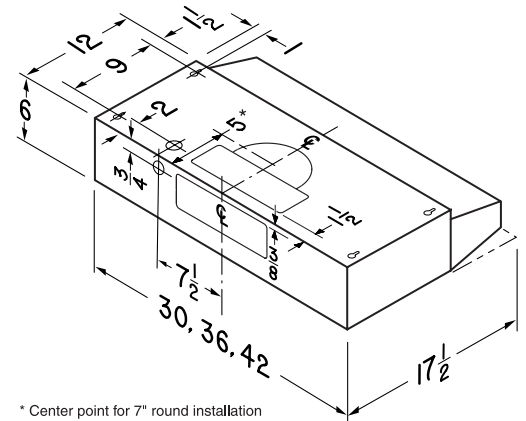
FINISH	30" WIDTH	36" WIDTH	42" WIDTH
White	WA6530WW	WA6536WW	WA6542WW
Almond	WA6530AA	WA6536AA	WA6542AA
Biscuit	WA6530BC	WA6536BC	WA6542BC
Black	WA6530BL	WA6536BL	WA6542BL
Stainless Steel	WA6530SS	WA6536SS	WA6542SS



HVI-2100 CERTIFIED RATINGS comply with new testing technologies and procedures prescribed by the Home Ventilating Institute, for off-the-shelf products, as they are available to consumers. Product performance is rated at 0.1 in. static pressure, based on tests conducted in AMCA's state-of-the-art test laboratory. Sones are a measure of humanly-perceived loudness, based on laboratory measurements.

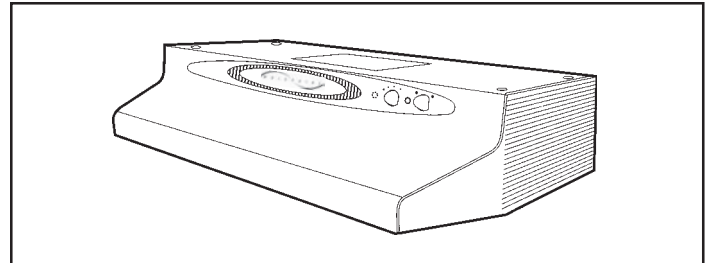


Hood to be UL listed.



\* Center point for 7" round installation

# WhispAire™ Range Hood



## INSTALLATION

Complete installation instructions are included with each Range Hood

## ARCHITECT'S SPECIFICATION

The Range Hood shall be a NuTone WA6500 Series. It will be 30", (36"), (42") wide and have a White, (Almond), (Biscuit), (Black), (Stainless Steel) finish.

The hood must be convertible between 3¼" x 10", 7" round, and non-ducted discharges. It will use a washable aluminum grease filter (ducted discharge) as well as a non-ducted, particle and odor filter (non-ducted discharge).

The motor assembly shall have a thermally-protected, plug-in motor, and a one-piece polymeric fan blade. Fan speed to be controlled by an infinite rotary speed control.

Cooktop lighting to be provided by two (2) 40W, A-15 type appliance bulbs. Bulbs will be operated using a rotary control with night-light feature.

NuTone, Inc., Madison and Red Bank Roads, Cincinnati, OH 45227 (1-800-543-8687)

REFERENCE	QTY.	REMARKS	Project
			Location
			Architect
			Engineer
			Contractor
			Submitted by
			Date