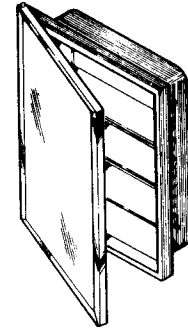


HORIZON SERIES MOLDED BATHROOM CABINETS AND LIGHT FIXTURE



FEATURES

- Recessed installation for standard wall openings
- Easy to clean, one-piece, injection-molded polystyrene construction
- 1/8" thick beveled premium float glass mirror with polished edges
- Full piano hinge (*butt hinge)
- Fixed polystyrene shelves
- Reversible - for left-hand or right-hand door opening
- Includes mounting hardware

TYPICAL SPECIFICATION

Bathroom cabinet shall be Broan Horizon Series Model 610BC (1453).

Recessed bathroom cabinet shall be of one-piece, injection-molded polystyrene construction with fixed shelves.

Glass mirror shall have polished edges. Steel door back shall be finished in baked-on powder coat to match cabinet.

Cabinet shall have full piano hinge with built-in door stop and a magnetic door catch. (*cabinet has two butt hinges and a magnetic catch.)

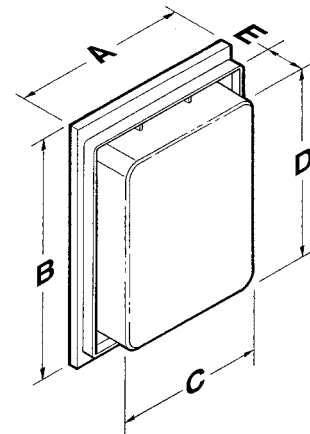
Cabinet shall be reversible for left-hand or right-hand installation.

MOLDED BODY CABINETS

MODEL NO.	OVERALL SIZE		WALL OPENING			# OF SHELVES
	A	B	C	D	E	
*610BC	16 ^{1/4}	22 ^{1/4}	14	18	2 ^{1/2}	2 (fixed) poly
1453	16	20	14	18	2 ^{1/2}	2 (fixed) poly

LIGHT FIXTURE

MODEL NO.	OVERALL SIZE			RECOMMENDED BULBS
	W	H	D	
73290	16	4 ^{1/2}	2	2-60W G25 / G40



Broan-NuTone LLC, 926 West State Street, Hartford, WI 53027 (1-800-637-1453)

REFERENCE	QTY.	REMARKS	Project	
			Location	Date
			Architect	
			Engineer	
			Contractor	
			Submitted by	