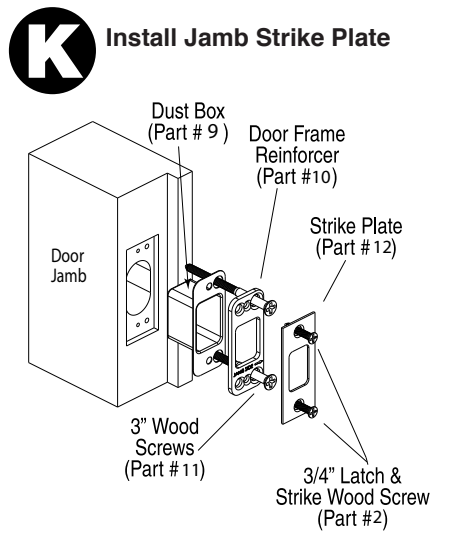
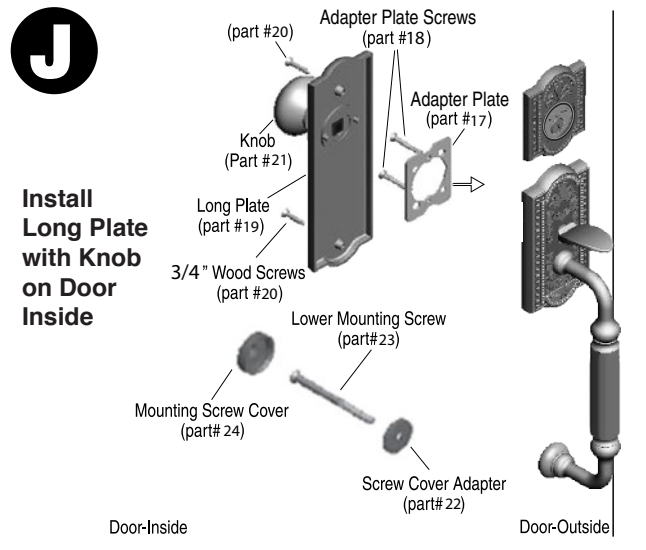
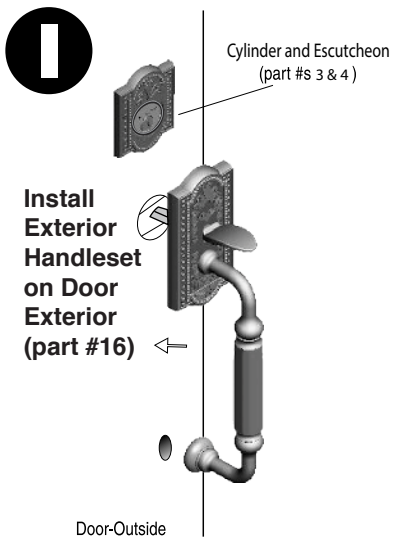
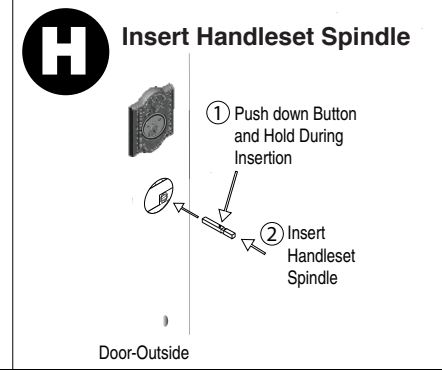
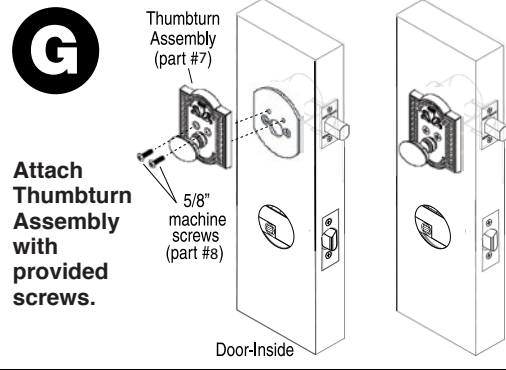
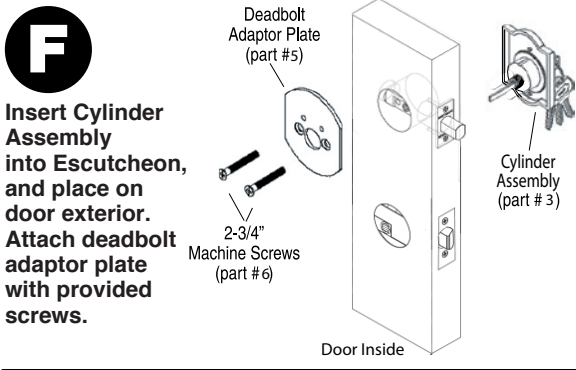
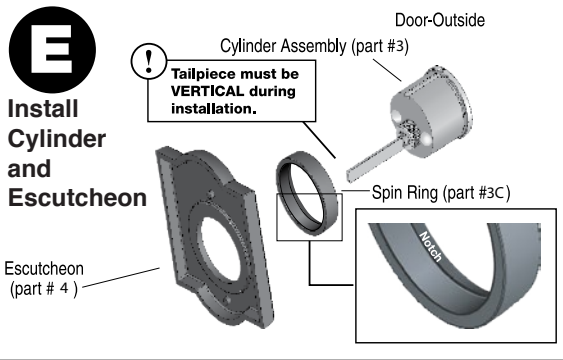
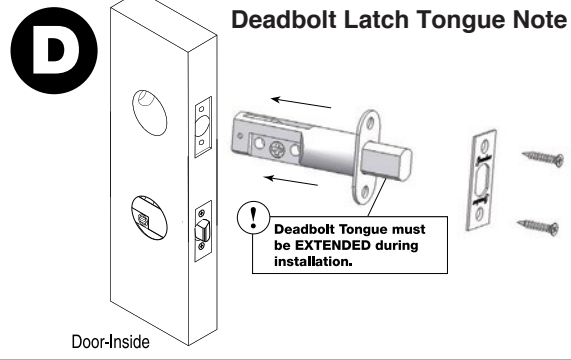
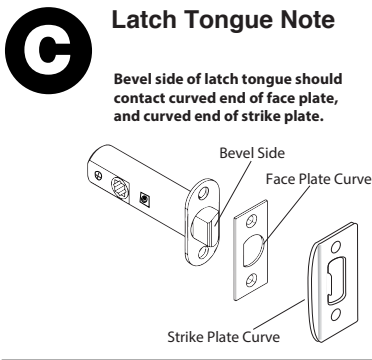
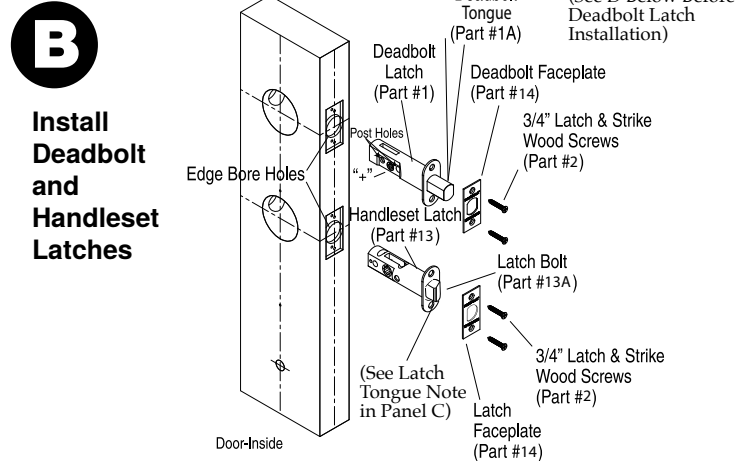
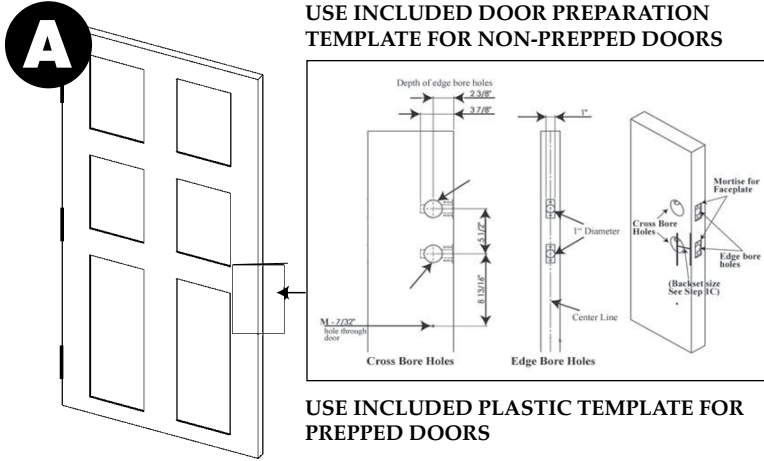


Nostalgic Warehouse Door Hardware Installation Instructions

LONG PLATE PRE-ATTACHED KNOBS

Single Cylinder Handleset

Note: Handlesets fit doors 1-3/4" to 2-1/4" thick.



For assistance call 800-522-7336 Monday through Friday 7am to 6pm Mountain Time

Exploded Drawing Single Cylinder Handleset With Pre-Attached Knob

**Part
Number** **Part
Description**

1. Deadbolt Latch
- 1A. Latch Tongue
2. 3/4" Latch & Strike Wood Screws (8)
3. Cylinder Assembly (W/Keys)
- 3A. Cylinder Body
- 3B. Tailpiece
- 3C. Spin Ring
4. Escutcheon
5. Deadbolt Adapter Plate
6. 2-3/4" Machine Screws (2)
7. Thumbturn Assembly
8. 5/8" Thumbturn Machine Screws (2)
9. Dustbox for Deadbolt
10. Door Frame Reinforcer
11. 3" Reinforcer Wood Screws (2)
12. Strike Plate for Deadbolt
13. Handleset Latch
- 13A. Latch Tongue
14. Latch Faceplate
15. Handleset Spindle
16. Handleset
17. Adapter Plate
18. Adapter Plate Screws (2)
19. Long Plate
20. 3/4" Plate Mounting Screws
21. Knob
22. Screw Cover Adapter
23. 2-7/8" Lower Mounting Screw
24. Mounting Screw Cover
25. Dustbox for Handleset
26. Strike Plate for Handleset

