

For Assistance Call: **1-800-522-7336**
8 am - 5 pm, Monday - Friday, MST

or visit our Website at:
www.nostalgicwarehouse.com

Installation Instructions Interior Mortise Lock Sets

(previous woodworking experience recommended)

Unwrap all components, laying them within easy reach. You will need a drill (with 5/8", 9/16", 3/4", 3/8", and 3/32" bits), wood chisel, medium phillips screwdriver, ruler, and nail polish or threadlock.

Reversing Lock Handing:

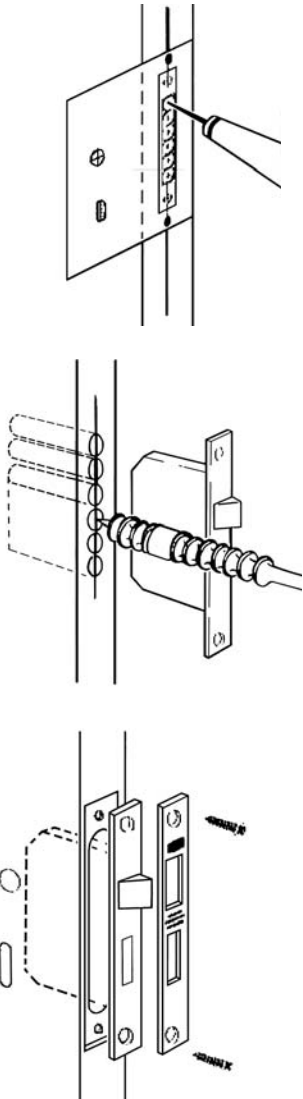
(If lock is already facing correctly, skip this step.) It is important to determine if your lock is facing the correct way before installation. PLEASE SEE BACK SIDE FOR INSTRUCTIONS ON REVERSING THE HANDING OF A MORTISE LOCK.

Door Preparation:

(If door is pre-drilled, skip this step) Choose a location for the lock to install, approx. 36"-38" from the floor, or centered in a pleasing location. Place the enclosed template on the edge of the door with the arrows in line with the center line. Mark the position of the screw holes and the centers of the holes to be drilled for the mortise, keyhole, and knob spindle hole. The 2-1/4" dimension between the spindle and the keyhole is critical.

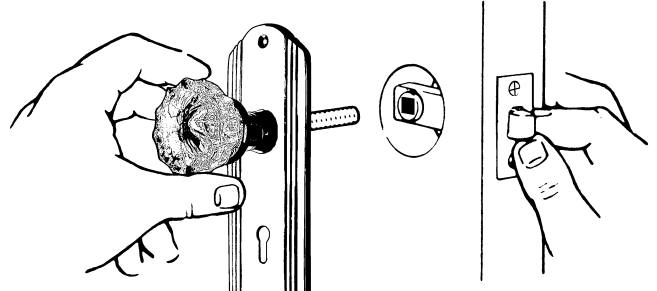
Drill out the holes for the mortise cavity with a 5/8" bit to a depth of approx. 3-1/4". Chisel out the remaining wood to form the lock cavity. Use a 3/4" bit for the spindle hole and a 3/8" bit for the keyhole. Center the lock in the lock cavity and use a sharp awl or razor knife to scribe a line around the faceplate.

Remove the lock and use a chisel to cut an approx. 1/8" deep mortise, so that the lock face will lie flush with the door edge. Install lock into the door. Tighten screws securely. Use your key to check lock function before proceeding.



FOR LONGPLATES:

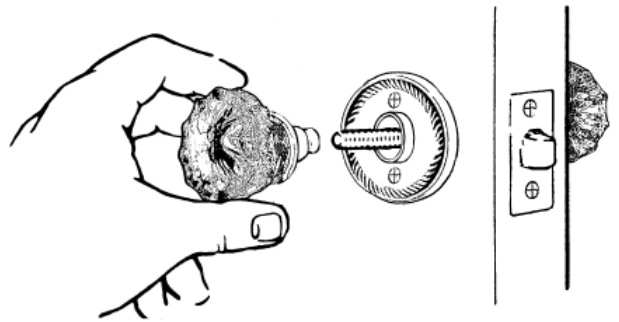
Gently back the set screws out of each doorknob approx. 1/2 way, or until they do not protrude through the spindle hole. Remove the doorknob. You should now have one doorknob still on the spindle and one loose doorknob. Holding the knob which is on the spindle, slip the spindle through one of the door plates and guide the spindle through the square hole in the mortise lock. Slide the other door plate onto the protruding spindle and screw the remaining knob onto the spindle, snugly to hold plates in place. Center each keyhole over keyhole opening in door.



Use a ruler to make sure that the plates are parallel to the edge of the door. Give the knobs a bit of a wiggle to align them and keep them from binding against the plates. Screw the top screw(s) into one door plate, then the bottom screw(s), and again check your alignment. Follow with the plate on the other side. Now, unscrew the doorknobs about 1/2 turn or just until they turn freely. If all is still aligned and the knobs turn easily, screw in any remaining wood screws.

FOR ROUNDPLATES:

Loosen set screws and remove both doorknobs from the spindle. Center the spindle in door latch. Slide the round backplate over the spindle on the outside (most visible) side of the door. Slide its mate (with screwholes) onto the other side. Screw the backplates together, snugly but not too tight. Screw one doorknob onto the spindle, keeping the spindle centered. Now screw on the second knob, bringing it up snugly, allowing the backplates to align themselves. Tighten the backplate screws. Now, unscrew the doorknobs about 1/2 turn or just until they turn freely.



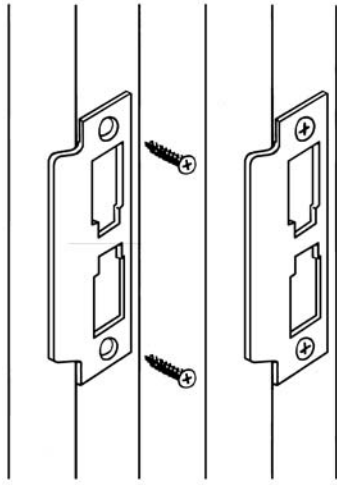
Finishing the Knob Installation:

Screw in all set screws carefully, making sure that they tighten against the flat part of the spindle (a slight wiggle can help to set them in place). Try the doorset, making sure that everything works smoothly. Lastly, remove each set screw, one at a time, and coat threads with fingernail polish or threadlock. Replace each.

Installing the Strike:

Placing the strike in the correct position is very important for proper doorset function. Using a small piece of carbon paper, close the door so that the latch rubs the black carbon onto the door jamb.

Repeat until a black smear is clearly visible, showing the path of the latch tongue. Center the strike over the black mark. Mortise for strike similarly to the procedure used for the latch face. Use a drill to cut the hole for the latch tongue. Install strike.

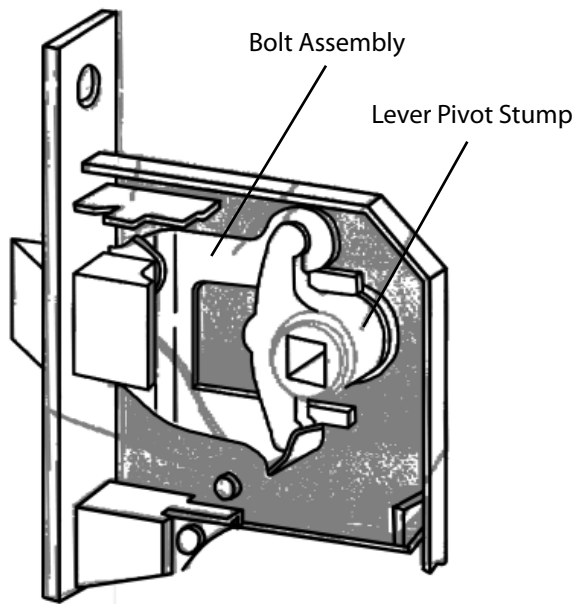


Congratulations! you have completed the installation of your new Nostalgic Warehouse mortise lock set.

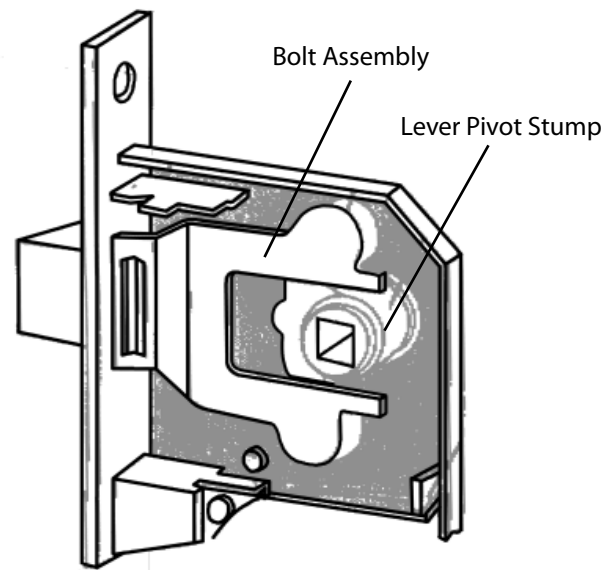
Reversing Lock Handing:

WEAR PROTECTIVE GOGGLES

Loose parts may spring out of lock.



Right-hand



Left-hand

(If lock is already facing correctly, skip this step.) It is important to determine if your lock is facing the correct way before installation. Hold the lock upright, near the door, with the keyhole at the bottom. The latching tongue should face the door jamb once the lock is installed. If this will not be the case, you will need to reverse the latching tongue before installation.

Working on a flat surface, lay a soft blanket or towel under the lock body. Face the lock so that the body screw is visible. Carefully loosen screw, taking care not to strip the threads. Remove the case covering, exposing the lock mechanism. Study the assembly before dismantling.

On lower half of lock, remove the two springs with attached tabs. Note position of these tabbed springs for later re-assembly. Place finger on lever pivot stump and carefully remove bolt spring. Now remove bolt assembly and follower. Turn bolt assembly over and replace it and follower. Thread bolt spring into position. Replace tabbed springs. Replace lock cover and screw. Test lock function before installation.

For Tech Support Call:

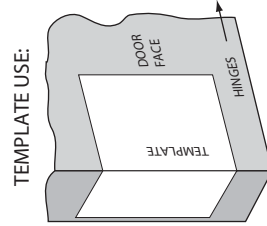
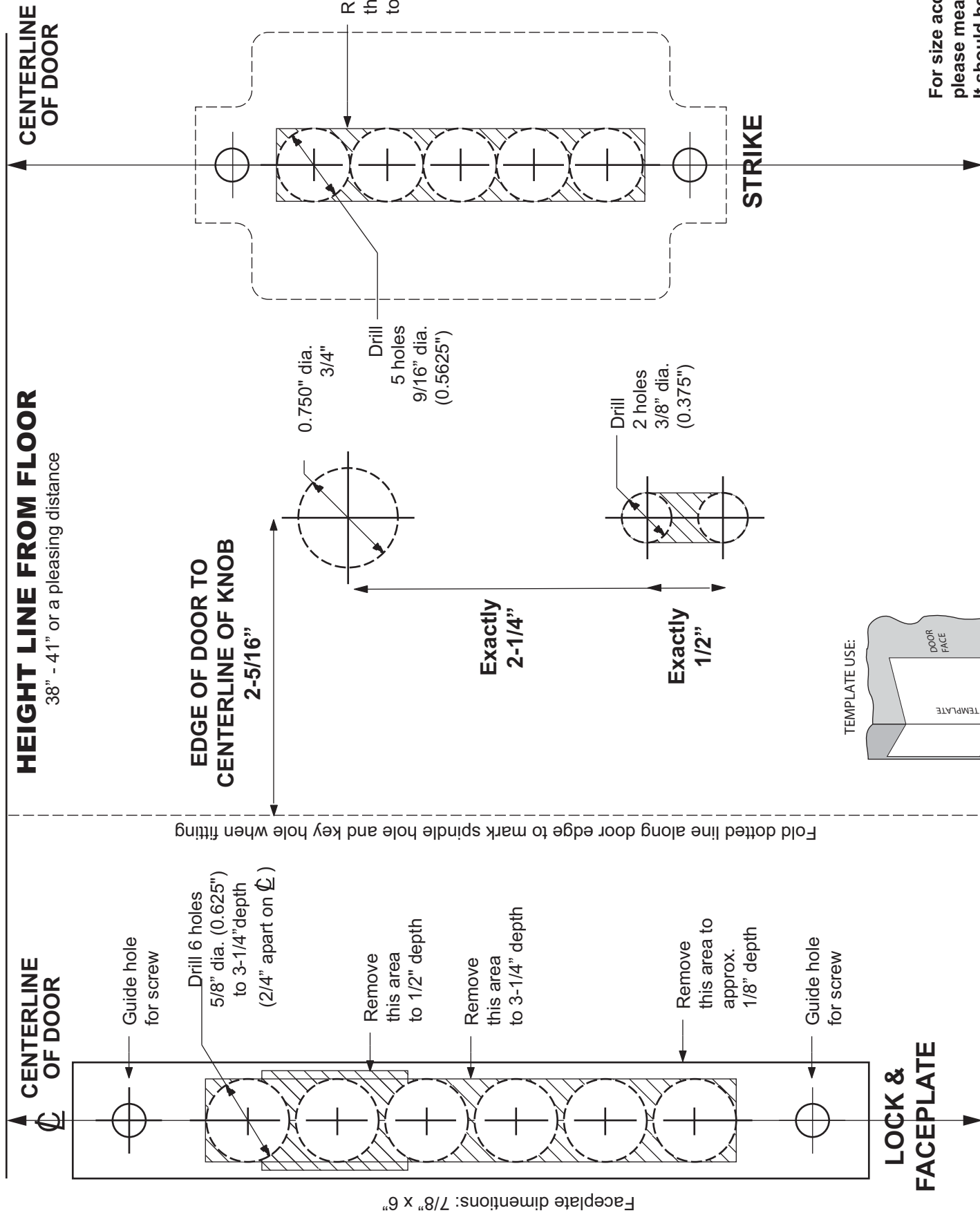
1-800-522-7336

8 am - 5 pm M-F, MST

or visit our website at

www.nostalgicwarehouse.com

MORTISE LOCK DRILLING TEMPLATE



For size accuracy please measure this line. It should be 1" exactly