

Norwell Lighting

Product Name **Classic Onion Sconces**
 Model Number **1509 1512 1514**
 Project Name _____
 Fixture Type _____ Quantity _____

Post and Ceiling also available see 1510, 1511, 1508



Classic Onion Small - 1513
 Black (BL) Clear Glass (CL)



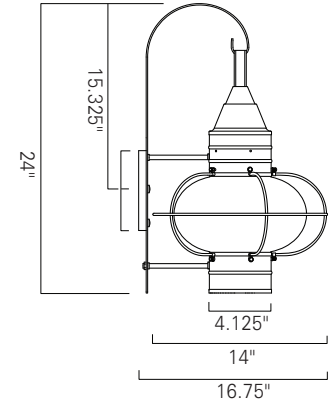
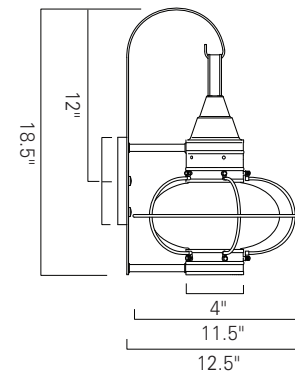
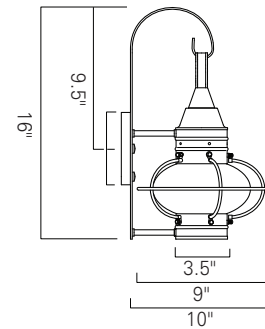
Classic Onion Medium - 1512
 Gun Metal (GM) Seedy Glass (SE)



Classic Onion
 Post & Ceiling Available
 See 1510, 1511, 1508
 Technical Sheet



Classic Onion Large - 1509
 Black (BL) Clear Glass (CL)



Product Name / Model / Dimensions					Finish Options	Glass	Lamping Options
Classic Onion Small - 1513 Classic Onion Medium - 1512 Classic Onion Large - 1509					Standard Black (BL) Bronze (BR) Gun Metal (GM)	Standard Clear (CL) Seedy (SE)	Standard Incandescent (1) 100 Watt Edison
	Height	Width	Projection	TTO			
1513	16"	9"	10"	9.5"			
1512	18.5"	11.5"	12.5"	12"			
1509	24"	14.5"	15.75"	15.375"			
1513 Backplate 5 H X 4 W 1512 Backplate 6 H X 4.325 W 1509 Backplate 6.625 H X 5.875 W							

1_2020