

Model NC1991 Series Commercial Water Heater Specification Sheet

Job Name _____
 Location _____
 Architect/Engineer _____
 Wholesaler _____
 Contractor _____
 Model No. _____
 Gas Type _____
 No. of Units _____ Total BTU/hr Input _____
 Flow Rate (GPH) _____
 Notes _____

- **Standard Input** - gas consumption ranges from 16,000 BTU/h to 199,900 BTU/h
- **Compact Design** - ANSI Z21.10.3/CSA 4.3 certified design that can be wall-mounted indoors with a -DVC model or installed outdoors with an -OD model
- **Durable Steel Casing with Polyester Coating**
- **Heat Exchanger** - manufactured with commercial grade copper, 25% thicker piping than standard models
- **Venting Options** - available in Outdoor (-OD) or Concentric Direct Vent (-DVC) model that requires 5/3 in. Noritz concentric stainless steel pipe
- **Direct Electronic Ignition**
- **Multi-System Capability** - units can be linked together by using either the optional 2-unit Quick Connect (#QC-2) or multi-unit System Controller (#SC-301-6M-EXT) for up to 6 units
- **Fully Modulating** - BTU input can range from 16,000 to 1.2 million BTU/h for a 6-unit Multi-System
- **Thermal Efficiency** - 84% efficient for use with natural gas or propane
- **Temperature Controls** - includes remote thermostat that can precisely adjust the output temperature from 100°F to 185°F with the capability to display temperatures in both °C and °F
- **Safety Devices** - Flame Sensor, Overheat Prevention Device, Lightning Protection Device, Freeze Protection
- **Five Year Limited Heat Exchanger Warranty for Commercial Use**
- **Five Year Limited Parts Warranty**
- **Approvals** - CSA, UPC, NSF, Low NOx Approved by SCAQMD [$<14\text{ng/J}$ or 20ppm]



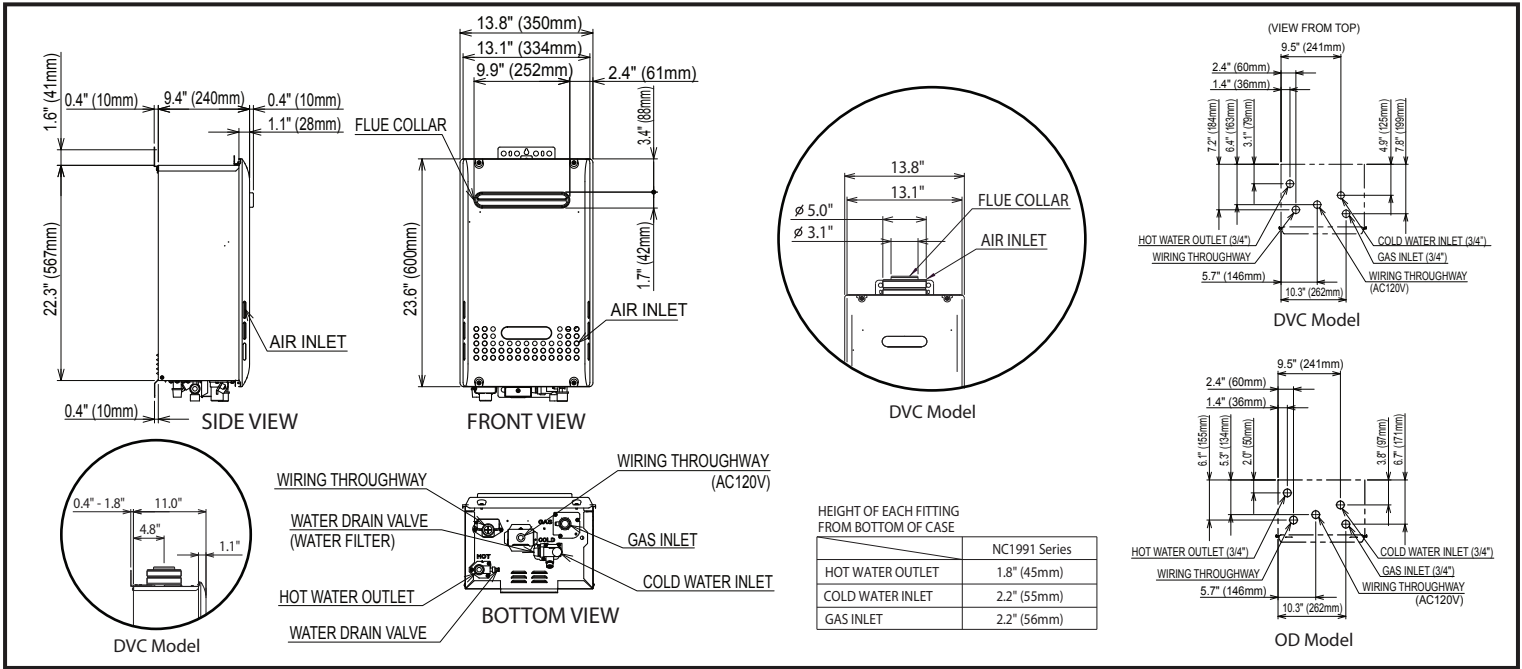
DVC Model

OD Model

Model	
NC1991 - _____	
<input type="checkbox"/>	OD (Outdoor Vent)
<input type="checkbox"/>	DVC (Concentric Direct Vent)
Accessories	
<input type="checkbox"/>	Isolation Valves (#IK-WV-200-1)
<input type="checkbox"/>	Pipe Cover
<input type="checkbox"/>	for OD Model (#PC-2S-GRY)
<input type="checkbox"/>	Quick Connect Cord (#QC-2)
<input type="checkbox"/>	6-Unit System Controller (#SC-301-6M-EXT)



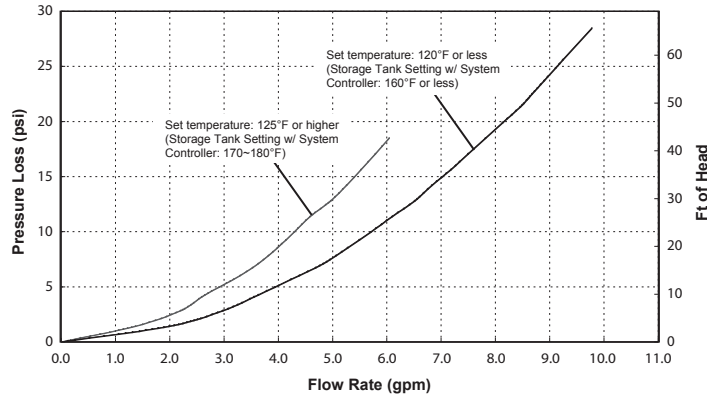
Dimensions



Flow Rates

Temperature Rise (°F)	30	40	45	50	60	70	80	90	100	110	120	130	140
Flow Rate (GPM)	9.8	8.4	7.5	6.7	5.6	4.8	4.2	3.7	3.4	3.1	2.8	2.6	2.4

Pressure Loss



Specifications

Model Name		NC1991-OD	NC1991-DVC
Weight		54 (pounds)	58 (pounds)
Operating Pressure		15 - 150 psi	
Gas Supply Pressure		NG: 4.0" - 10.5" LP: 8.0" - 14.0"	
Water Holding Capacity		0.2 Gallon (1.0 L)	0.2 Gallon (1.0 L)
Connection Sizes	Water Inlet	3/4"	
	Hot Water Outlet	3/4"	
	Gas Inlet	3/4"	
Power	Supply	120VAC (60Hz), less than 4 amperes	
	Consumption	NG:65W LP:67W Freeze Prevention 161W	NG:80W LP:83W Freeze Prevention 193W
Freeze Protection		Outdoor: -4°F	Indoor: -30°F
Temperature Settings	°F Mode	100-150°F (In 5°F intervals), 160, 170, 185°F (14 Options)	
	°C Mode	37-48°C (In 1°C intervals), 50-85°C (In 5°C intervals) (20 Options)	
Default Temperature Options	°F Mode	120, 135, 140, 185°F (Default is 120°F)	
	°C Mode	50, 57, 60, 85°C (Default is 50°C)	