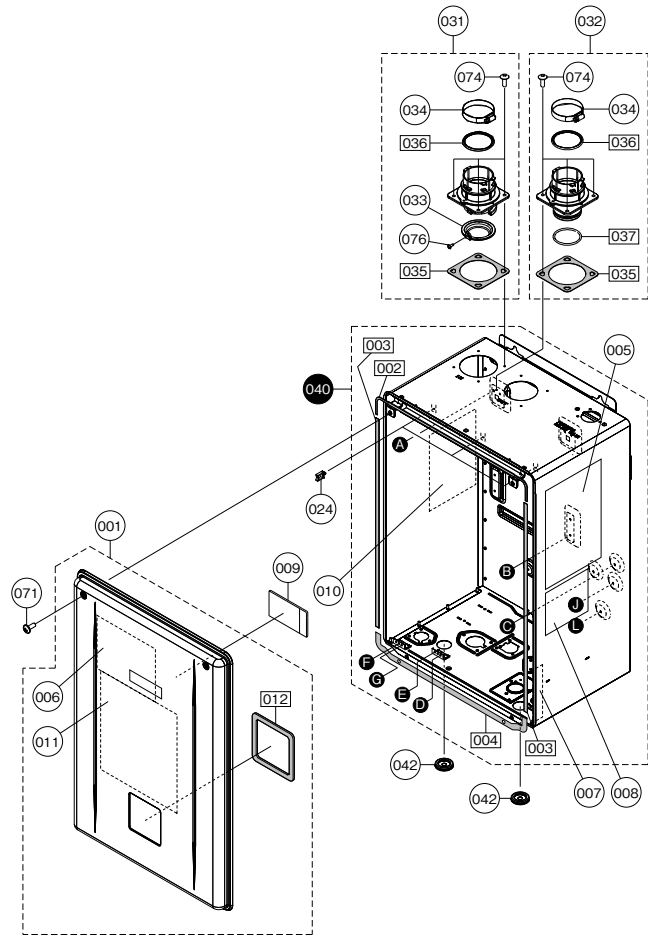


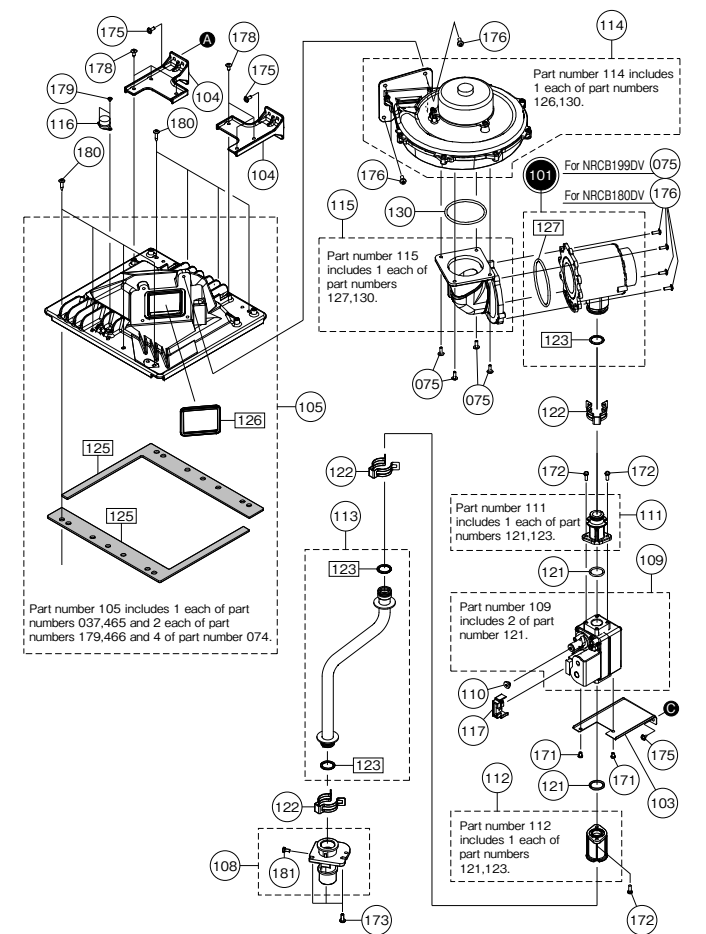
External outfitting NRCB199DV(GHQ-C3201WX-FF US)
NRCB180DV(GHQ-C2801WX-FF US)



External outfitting NRCB199DV(GHQ-C3201WX-FF US)
NRCB180DV(GHQ-C2801WX-FF US)

Part Nos.	Part Names	Order Nos.	Q'ty/unit
001	Front Cover - GHQ-C2801WX-FF US / GHQ-C3201WX-FF US	SKJ71XF	1
002	Gasket - Front Cover Top	FABL011	1
003	Gasket - Front Cover Sides	CVAL004	2
004	Gasket - Front Cover Top and Bottom	AAPL015	1
005	Label - Outside Front Cover Caution Label	ELVK003	1
006	Label - Inside Front Cover Caution Label	ELVK006	1
007	Label - Terminal Block	FADK011	1
008	Label - Name Plate DV	FADK010	1
009	Parts List/Technical sheet	FADK051	1
010	Label - Energy Guide 199kbtuh - LP	FADK006	1<NRCB199DV LP>
	Label - Energy Guide 199kbtuh - NG	FADK007	1<NRCB199DV NG>
	Label - Energy Guide 180kbtuh - LP	FAEK006	1<NRCB180DV LP>
	Label - Energy Guide 180kbtuh - NG	FAEK007	1<NRCB180DV NG>
011	Wiring Diagram	FADK002	1
012	Gasket - Operation Panel	FADL001	1
024	Wire Clamp	7559402	3
031	Intake Flue w/ O-Ring and Gasket (SET)	SKJ71W1	1
032	Exhaust Flue w/ O-Ring and Gasket (SET)	SKJ71W2	1
033	Filter - Intake Air	FABF101	1
034	Clamp - Exhaust Pipe	FABF108	2
035	Gasket - Exhaust Flue	FABL101	2
036	O-Ring - Exhaust Pipe	FABL102	2
037	O-Ring - Exhaust Flue	FABL103	1
040	Case - GHQ-C3201WX-FF US	SKJ721P	1
042	Wire Grommet - Rubber	7355009	2
071	Screw - Front Cover with washer M4X12 S410		
074	Screw - Pre-Coated Machined M4X12 S410		
076	Screw - Remote Terminal M4X10 S430		

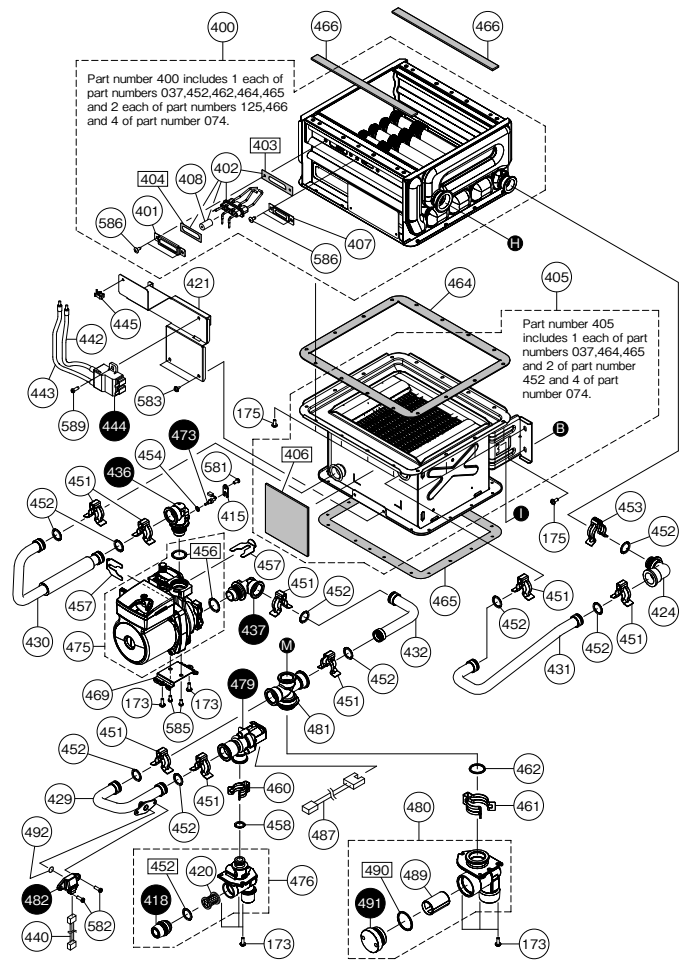
Combustion unit and gas route NRCB199DV(GHQ-C3201WX-FF US)
NRCB180DV(GHQ-C2801WX-FF US)



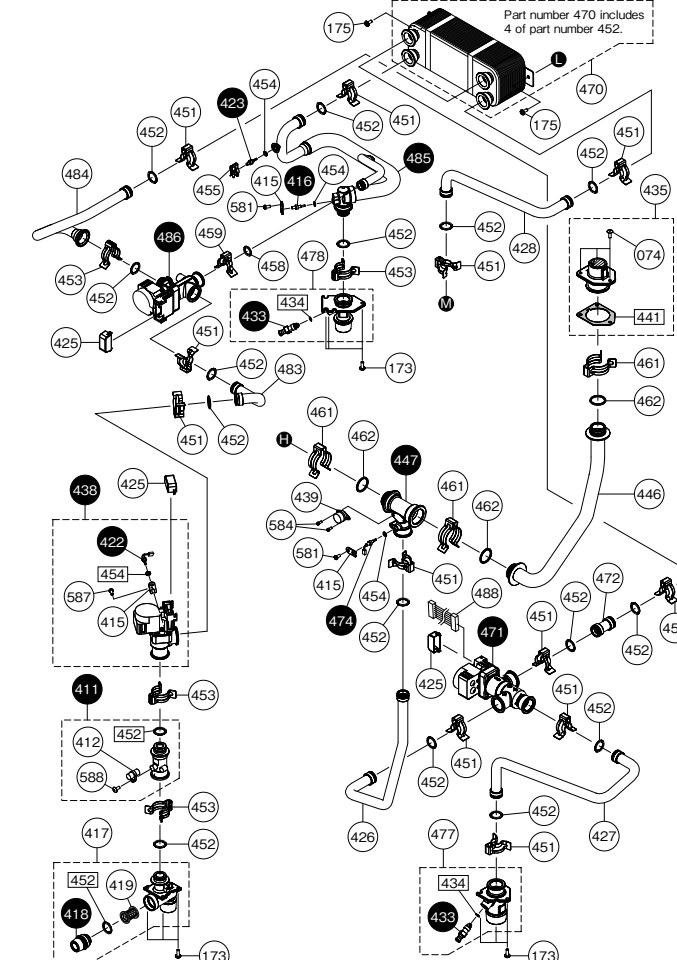
Combustion unit and gas route NRCB199DV(GHQ-C3201WX-FF US)
NRCB180DV(GHQ-C2801WX-FF US)

Part Nos.	Part Names	Order Nos.	Q'ty/unit
101	Venturi 199kbtuh - LP (SET)	SKJ724Q	1<NRCB199DV LP>
	Venturi 180kbtuh - NG (SET)	SKJ724R	1<NRCB199DV NG>
	Venturi 180kbtuh - LP (SET)	SKJ724S	1<NRCB180DV LP>
	Venturi 180kbtuh - NG (SET)	SKJ724T	1<NRCB180DV NG>
103	Mounting Plate - Gas Valve	FABA101	1
104	Mounting Plate - Chamber	FABC031	2
105	Burner Chamber (SET)	SKJ724U	1
108	Inlet Gas Connection w/ Screw (SET)	ELVE021	1
109	Gas Valve (SET)	SKJ71WB	1
110	Cover - Offset Adjustment	FABE011	1
111	Gas Valve Outlet Connector (SET)	SKJ71UY	1
112	Gas Valve Inlet Connector (SET)	SKJ71VX	1
113	Gas Pipe (SET)	SKJ71VY	1
114	Fan Motor w/ Housing	SKJ724V	1
115	Gas Elbow Connector 199kbtuh (SET)	SKJ71WA	1<NRCB199DV>
	Gas Elbow Connector 180kbtuh (SET)	SKJ71WB	1<NRCB180DV>
116	High Limit Switch - 320	FABH002	1
117	Cover - Gas Valve Connector	FABJ032	1
121	O-Ring - P20	2192004	2
122	"C" Clamp - 1/8"	6340407	3
123	O-Ring - P18	2110903	3
125	Gasket - Burner	FABL002	2
126	Gasket - Chamber Inlet	FABL003	1
127	O-Ring - Venturi φ71	FABL016	1<NRCB199DV>
	O-Ring - Venturi φ60	FABL017	1<NRCB180DV>
130	O-Ring - Venturi φ60	FABL017	1
075	Screw - Long Mounting Machine M4X12 S430		
171	Screw - Short Mounting Machine M4X6 S430		
172	Screw - Long Mounting Machine with Spring Washer M4X12 S430		
173	Screw - Long Machine M4X12 S410		
175	Screw - Medium Machine 4X10 S410		
176	Screw - Mounting Machine M5X12 S430		
178	Screw - Medium Machine M4X10 S410 for Aluminum		
179	Screw - Short Machine M3X5 S410 for Aluminum		
180	Screw - Truss Head Self Drilling Tapping M4X18 S410		
181	Screw - Inlet and Manifold Gas M4XB	SAC6082	1

Hot-water feed route 1 NRCB199DV(GHQ-C3201WX-FF US)
NRCB180DV(GHQ-C2801WX-FF US)



Hot-water feed route 2 NRCB199DV(GHQ-C3201WX-FF US)
NRCB180DV(GHQ-C2801WX-FF US)



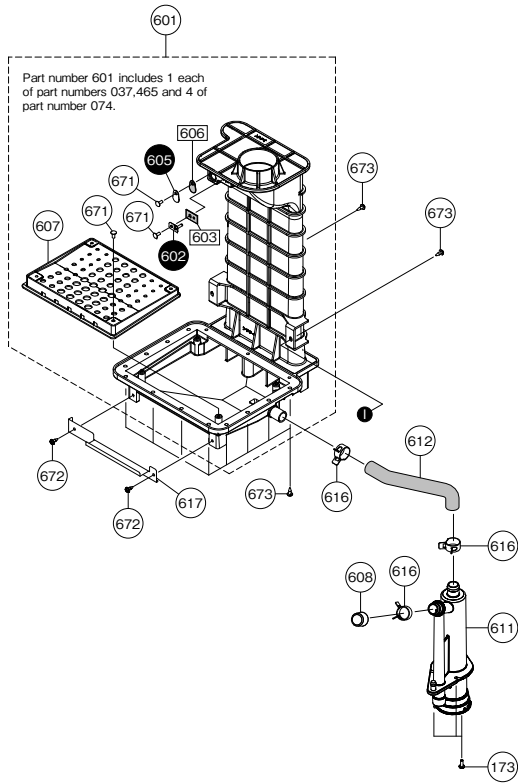
Hot-water feed route NRCB199DV(GHQ-C3201WX-FF US)
NRCB180DV(GHQ-C2801WX-FF US)

Part Nos.	Part Names	Order Nos.	Q'ty/unit
400	Heat Exchanger Kit - Primary SS (SET)	SKJ71W6	1
401	Mounting Plate - Ignition Plug	FABD045	1
402	Ignition Plug w/ Gasket	SKJ71VZ	1
403	Gasket - Ignition Plug (HEX)	FABL008	1
404	Gasket - Ignition Plug (Mounting Plate)	FABL010	1
405	Heat Exchanger Kit - Secondary SS (SET)	SKJ724P	1
406	Gasket - Secondary SS (Front)	FABL015	1
407	Burner Window (SET)	FABD042	1
408	Plug Cover	FABD019	1
411	Water Flow Sensor (SET)	EPADD01	1
412	Magnetic Sensor - Flow Sensor	BWCD093	1
415	Thermistor Holding Plate	ALSD088	1
416	Thermistor - White - Q64	BWCD098	4
417	Inlet Water Connection (SET)	EHVD001	1
418	Water Filter Cap	DTJD006	2
419	Water Filter	EGBD032	1
420	Water Filter	EGBD032	1<for after sales service>
421	Mounting Plate - Igniter	FADJ015	1
422	Thermistor - White - M64	BWCD096	1
423	Thermistor - White - Q63	BWCD097	1
424	Water Connector - Elbow	DYTD002	1
425	Wire Cover - Servo	EBTD023	3
426	Pipe - T-Elbow to 3-Way Valve - Heating	FADD121	1
427	Pipe - 3-Way Valve - Heating to Heating Supply Connection	FADD123	1
428	Pipe - Plate Heat Exchanger to Heating Return Connector	FADD126	1
429	Pipe - Auto Feeder to Heating Return Connector	FADD128	1
430	Pipe - Pump Outlet - Elbow to Secondary SS HEX	FADD130	1
431	Pipe - Secondary SS HEX to Primary SS HEX	FADD133	1
432	Pipe - Heating Return Connector to Pump Inlet - Elbow	FADD135	1
433	Drain Cock	CRUD003	2
434	O-Ring - High Temp P3	SAD6633	2
435	Relief Valve Connection	SKJ7229	1
436	Pump Outlet - Elbow	FADD161	1
437	Pump Inlet - Elbow	FADD162	1
438	Water Servo -Main (SET)	JEBO051	1
439	High Limit Switch - 201	ELVH002	1
440	Wiring Harness - Heating Water Pressure Sensor	FADJ017	1
441	Gasket - Relief Valve Connection	FADL002	1
442	High Voltage Igniter Wire L175	ALSJ078	1
443	High Voltage Igniter Wire L220	ALSJ084	1
444	Igniter	FABT100	1
445	Wire Clamp	SAE6367	1
446	Pipe - T-Elbow to Relief Valve Connection	FADD145	1
447	T-Elbow	FADD147	1
451	"C" Clamp - Water Pipe 16-25	SAD6593	20
452	O-Ring - High Temp P16	3223302	27
453	"C" Clamp - Water Pipe 16A	6340300	5
454	O-Ring - Thermistor High Temp P4	1323709	5
455	"C" Clamp - Thermistor	CRUD055	1
456	O-Ring - High Temp P20	3095902	2
457	Pump Cap	FADD002	2
458	O-Ring - High Temp P12.5	3359808	2
459	"C" Clamp - Water Pipe 13-22	SAD6537	1
460	"C" Clamp - Water Pipe 12.7	6340202	1
461	"C" Clamp - Water Pipe 22.22	6340504	4
462	O-Ring - High Temp P22	7573308	4
464	Gasket - Secondary Heat Exchanger	FABL004	1
465	Gasket - Exhaust Duct	FABL005	1
466	Gasket - Primary Heat Exchanger	FABL013	2
469	Mounting Plate - Pump	FADA023	1
470	Plate Heat Exchanger (SET)	SKJ724X	1
471	3-Way Valve - Heating (SET)	ERBD010	1
472	Pipe - 3-Way Valve - Heating to Plate Heat Exchanger	EXMD069	1
473	Thermistor - Blue	EZMD001	1
474	Thermistor - Pink	EZMD003	1

Hot-water feed route NRCB199DV(GHQ-C3201WX-FF US)
NRCB180DV(GHQ-C2801WX-FF US)

Part Nos.	Part Names	Order Nos.	Q'ty/unit
475	Circulation Pump (SET)	SKJ724F	1
476	Auto Feeder Inlet Water Connection (SET)	FADD021	1
477	Heating Supply Connection (SET)	FADD025	1
478	Outlet Water Connection (SET)	FADD027	1
479	Auto Feeder	FADD031	1
480	Heating Return Connection (SET)	FADD032	1
481	Heating Return Connector	FADD034	1
482	Heating Water Pressure Sensor	FADD041	1
483	Pipe - Water Servo -Main to Bypass Valve - DHW	FADD099	1
484	Pipe - Bypass Valve - DHW to Plate Heat Exchanger	FADD101	1
485	Pipe - Plate Heat Exchanger to Outlet Water Connection (SET)	FADD105	1
486	Bypass Valve - DHW (SET)	JLRD015	1
487	Wiring Harness - Auto Feeder	ERB0335	1
488	Wiring Harness - 3-Way Valve - Heating	EHSJ026	1
489	Water Filter	EMMD041	1
490	O-Ring - Inlet Water Connection Cap	SAB4190	1
491	Inlet Water Connection Cap	ENUJ028	1
492	O-Ring - High Temp P6	3264408	1
581	Screw - Short Machined M4X8 S410		
582	Screw - Long Machined M4X12 S410		
583	Screw - Short Tapping Machine M4X8 S410		
584	Screw - Short Mounting Machine with Spring Washer M3X8 S430		
585	Screw - Round Head Short Tapping M5X8 S410		
586	Screw - Medium Machine M4X10 P5550		
587	Screw - Round Head Medium Tapping M4X10 S410		
588	Screw - Round Head Medium Tapping M4X10 S305		
589	Screw - Long Mounting Machine M4X12 S430		

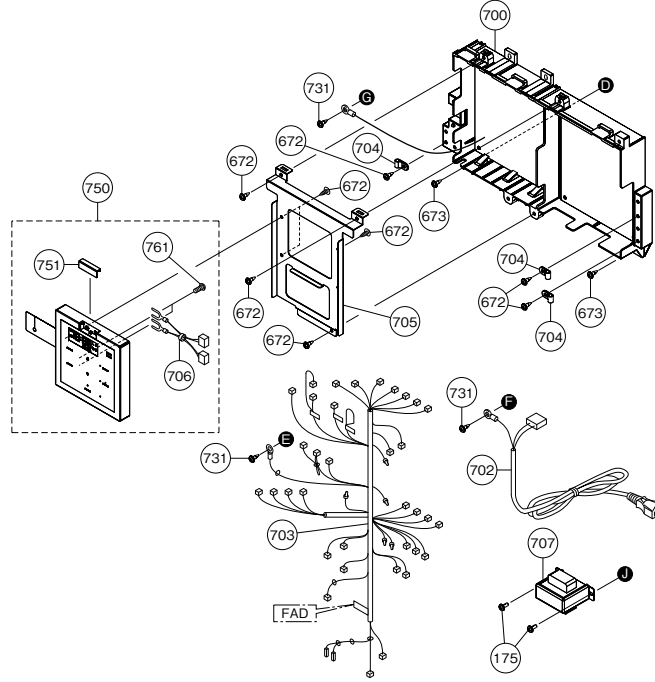
Condensate feed route NRCB199DV(GHQ-C3201WX-FF US)
NRCB180DV(GHQ-C2801WX-FF US)



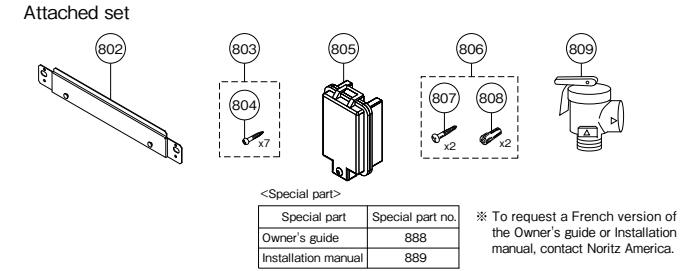
Condensate feed route NRCB199DV(GHQ-C3201WX-FF US)
NRCB180DV(GHQ-C2801WX-FF US)

Part Nos.	Part Names	Order Nos.	Q'ty/unit
601	Exhaust Duct (SET)	SKJ721N	1
602	Thermistor - Exhaust	ETH4002	1
603	Gasket - Exhaust Thermistor	ETHL004	1
605	Cover - CO2 Measurement Port	FABF036	1
606	Gasket - CO2 Measurement Port	FABL009	1
607	Condensate Drainage Plate	FABF035	1
608	Drain Cap	FABF056	1
611	Condensate Container (SET)	SKJ722C	1
612	Drain Hose - Exhaust Duct	FADF001	1
616	Clamp - Condensate Hose NO.45	SAD6536	3
617	Mounting Plate - Circuit Board	FADA024	1
671	Screw - Medium Tapping M4X10 S410		
672	Screw - Remote Terminal Cover M4X12 S410		
673	Screw - Long Tapping M4X12 S410		

Electronic control unit
NRCB199DV(GHQ-C3201WX-FF US) · NRCB180DV(GHQ-C2801WX-FF US)

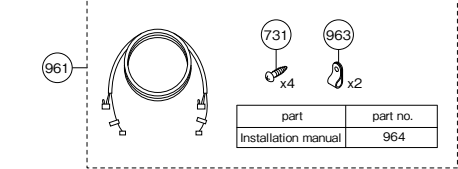


Attached set
NRCB199DV(GHQ-C3201WX-FF US) · NRCB180DV(GHQ-C2801WX-FF US)

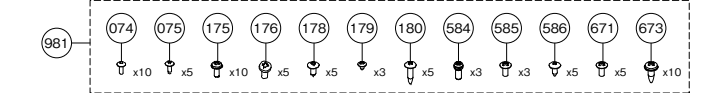


Optional

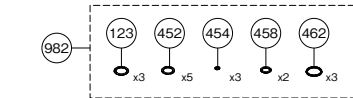
Quick-Connect Cable QC-2



Screw Kit for GHQ-C32(28)01 Series

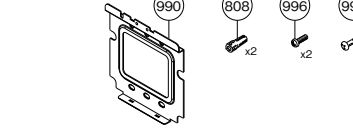


O-ring Kit for GHQ-C32(28)01 Series



Relocating the Operation Panel to a remote location

* Please contact Noritz America. (Phone #: 866-766-7489)



Electronic control unit and Attached set
NRCB199DV(GHQ-C3201WX-FF US) · NRCB180DV(GHQ-C2801WX-FF US)

Part Nos.	Part Names	Order Nos.	Q'ty/unit
700	Circuit Board	SKC707G	1
702	Power Supply Cord	ERLU001	1
703	Wiring Harness - GHQ-C32(28)01WX-FF US	SKJ725D	1
704	Wire Clamp - Nylon #4	7287909	3
705	Mounting Plate - Operation Panel	FADA022	1
706	Wiring Harness - Operation Panel	FADJ018	1
707	Transformer	FADJ051	1
731	Screw - Small Tapping w/o collar M4X8 S410		
750	Operation Panel - RC-B201M (SET)	QNCJ035	1
751	Operation Panel Top Cover	QNCAD03	1
761	Screw - Round Head Machine M3X6 S430		
800	Box - GHQ-C32(28)01WX-FF US	SKJ71XG	1
802	Wall Mounting Plate	FABA103	1
803	Wood Screw Set7	SAD2028	1
804	Screw - Round Head Wood 4.8X38 S305		
805	Outdoor Temperature Sensor	FADM001	1
806	Screw Package - Remote(SET)	QQUA100	1
807	Screw - Round Head Wood M4.1X25 S305		
808	Dry Wall Anchors6X25		
809	Pressure Relief Valve for Heating	FADM002	1
888	Owner's Guide - GHQ-C32(28)01WX-FF US	SBB80J9	1
889	Installation Manual - GHQ-C32(28)01WX-FF US	SBB80J8	1
961	Quick Connect Cord - QC-2	0706377	1
963	Wire Clamp - Nylon #3	7223901	2
964	Installation Manual - QC-2	SA08992	1
981	Screw Kit for GHQ-C32(28)01 Series	SKJ723R	1
982	O-Ring Kit for GHQ-C32(28)01 Series	SKJ723S	1
990	Wall Mounting Plate - Operation Panel	QNCAD20	1
996	Screw - Round Head Machine M3X6		
997	Screw - Flat Head Wood M4.1X20		

Procedure for Flushing the Heat Exchanger

This procedure is only intended for use by a qualified service professional or authorized Noritz Service Representative. Any unauthorized use of this procedure may result in voiding the warranty. Please contact Noritz America (866-766-7489) for additional support.

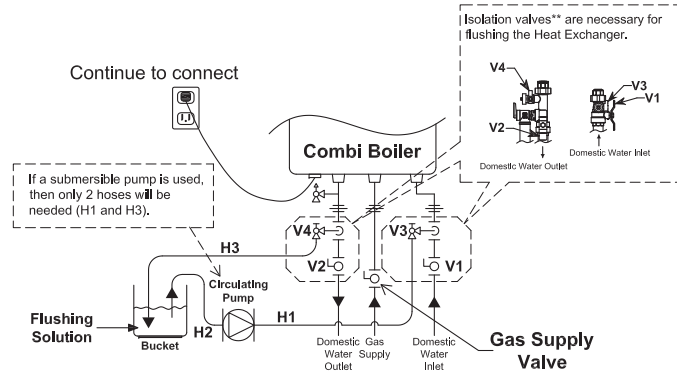
To prevent damage to the Heat Exchanger from Scale Build-up, the Heat Exchanger needs to be flushed* to remove the Scale Build-up. **Damage to the Combi Boiler due to Scale Build-up is not covered by the Combi Boiler's warranty.** * Connect the blue connector marked "FLUSH" for flushing near the Circuit Board when flushing the Heat Exchanger.

The Combi Boiler must remain connected to electrical power when flushing the Heat Exchanger.

Basic Procedure

«Procedure 1. The preparation of the flushing system»

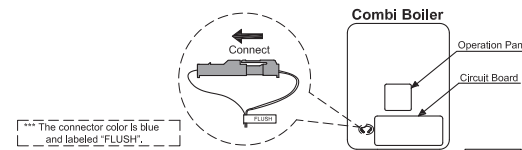
1. Close the gas supply valve.
2. Close the Domestic Water Inlet valve (V1) and the Domestic Water Outlet valve (V2).
3. Connect the one drain hose (H1) to the drain valve (V3), and then the other to the circulating pump.
4. Connect the drain hose (H2) to the circulating pump.
5. Connect the drain hose (H3) to the drain valve (V4).
6. Pour 1 gallon of "Calcium, Lime and Rust Removal Product" and 1 gallon water into the bucket. Noritz recommends "Calcium, Lime and Rust Removal Product" for flushing.
7. Place the both drain hoses (H2 and H3) into the bucket filled with the flushing solution.
8. Open the both drain valves (V3 and V4).



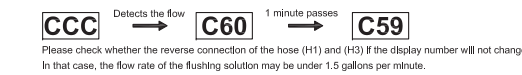
** Isolation valves may be purchased as an accessory from an authorized Noritz wholesaler. They allow for full diagnostic testing and easy flushing of the system. Contact Noritz America for more information. (866-766-7489)

«Procedure 2. Flushing the Heat Exchanger - For Single Unit»

1. Open the Front Cover.
2. Connect the blue connector*** marked "FLUSH" for flushing near the Circuit Board.



3. Then the code "CCC" is displayed on the Operation Panel.
4. Turn on the circulating pump to circulate the flushing solution through the Combi Boiler for 1 hour at a rate of 1.5 gallons per minute or more.
5. The code "C60" is displayed on the Operation Panel when the Combi Boiler detects the flow of the flushing solution. When 1 minute passes, the code "C60" will change to "C59" on the Operation Panel.



6. When 1 hour passes, the code "C00" is flashing on the Operation Panel. Do not disconnect the blue connector marked "FLUSH" for flushing.
7. Turn off the circulating pump.

«Procedure 3. Cleaning the Heat Exchanger»

The flushing solution needs to be rinsed and cleaned out of the Combi Boiler. Below is the way to rinse and clean the flushing solution.

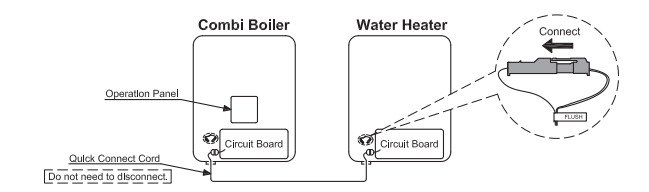
1. Remove both drain hoses (H2 and H3) from the bucket. And then place the drain hose (H3) into the sink or outside to drain.
2. Close the drain valve (V3) and then open the Domestic Water Inlet valve (V1). Do not open the Domestic Water Outlet valve (V2).
3. Clean the Combi Boiler with fresh water for 3 minutes or more. (Needs to have enough time to clean the Combi Boiler.)
4. Close the drain valve (V4) and then remove the drain hose (H3) from the drain valve (V4).
5. Remove the drain hose (H1) from the drain valve (V3).
6. Disconnect the blue connector marked "FLUSH" for flushing. The code "C00" goes out on the Operation Panel.

7. Close the Front Cover.
8. Open the gas supply valve and Domestic Water Outlet valve (V2).
9. Check for correct operation of the Combi Boiler.

In case of the "Quick Connect Multi System Procedure"

Note: Refer to the Water Heater's Parts List Sheet for the Water Heater's preparation of the flushing system.

1. Connect the blue connector marked "FLUSH" for unit needing to be flushed. (The unit is isolated from Quick Connect Multi System when the blue connector marked "FLUSH" for flushing is connected. Not need to disconnect the Quick Connect Cord.)



2. Then the code "CCC" or "FCC" is displayed on the Operation Panel.

CCC is displayed when the Combi Boiler's blue connector is connected.

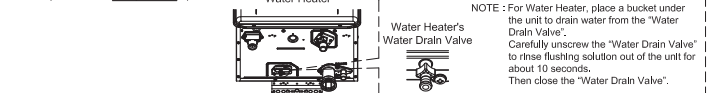
FCC is displayed when the Water Heater's blue connector is connected.

3. Turn on the circulating pump to circulate the flushing solution through the units for 1 hour at a rate of 1.5 gallons per minute or more.
4. When 1 hour passes, the code "C00" is flashing on the Operation Panel. Do not disconnect the blue connector marked "FLUSH" for flushing.



(Ex.: The display when the both units are flushed at the same time.)
The remaining time of flushing gives indication priority to the connector which is connected later.

5. Turn off the circulation pump.
6. Rinse and clean the flushing solution out of the units in accordance with "Procedure 3". (See the "Step 1 - 5".)



7. Disconnect the blue connector marked "FLUSH" for flushing. The Code "C00" goes out on the Operation Panel.
8. Close the Front Covers.
9. Open the gas supply valves and water outlet valves.
10. Check for correct operation of the units.

Please contact Noritz America if more information is needed for flushing. (Phone #: 866-766-7489)