

# NF-R124

Universal New Construction Frame-In for Iolite Can-less & 4" M-Wave LED Downlights

Type	
Project	
Catalog No.	
Notes	

### PRODUCT DESCRIPTION

Universal new construction frame-in can be used to assist installing canless recessed downlights. Includes multiple cut outs for Iolite Can-less and 4" M-Wave LED downlights.

**Mounting:** Bar hangers are adjustable from 13-3/4" to 26" with integral nails. Bar hangers are slotted for T-bar ceiling grids.

### COMPATIBLE LUMINAIRES

**NIOC-1LED:** 900lm LED Module for 1" Iolite Can-less

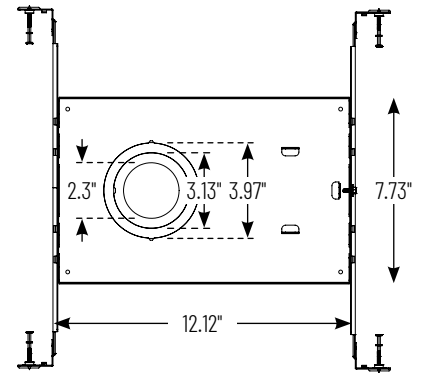
**NJCB-09:** 9W Driver Box for 1" Iolite Can-less

**NIOC-24LED:** 1250lm LED Module for 2" & 4" Iolite Can-less

**NJCB-12:** 12W Driver Box for 2" & 4" Iolite Can-less

**NMW-4:** 4" M-Wave Can-less LED Downlight

### PRODUCT IMAGES AND DIMENSIONS



### Universal New Construction Frame-In for Iolite Can-less LED Downlights

### Compatible Luminaires

Accessory Type  
**NF-R124** = Universal New Construction Frame-In

Description  
**NIOC-1LED** = 900lm LED Module for 1" Iolite Can-less  
**NJCB-09** = 9W Driver Box for 1" Iolite Can-less  
**NIOC-24LED** = 1250lm LED Module for 2" & 4" Iolite Can-less  
**NJCB-12** = 12W Driver Box for 2" & 4" Iolite Can-less  
**NMW-4** = 4" M-Wave Can-less LED Downlight

Example: **NF-R124** = Universal New Construction Frame-In for Iolite Can-less LED Downlights